

**RoHS
Compliant**



Description

The ATP Style blade fuse rated at 80V, featuring a three part construction with copper contacts for excellent reliability in harsh environment conditions and low voltage drop. Current ratings 3A thru 40A. Filled with arc-quenching material.

Application

- Protects electronic control units (ECUs), lighting, heating, battery charging, and power modules.
- Designed for high-voltage DC applications such as electric vehicles (EV), hybrid vehicles (HEV), and heavy-duty vehicles.

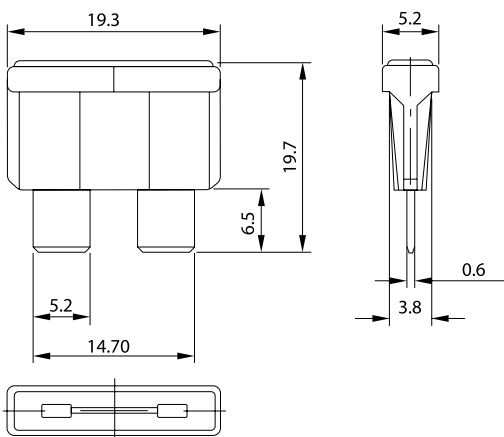
Features

- Supports high-voltage DC applications such as EVs and industrial equipment.
- Thermoplastic Housing Rated UL 94-V0 Flame-retardant and heat-resistant casing enhances safety.

Specifications

Interrupting Rating	: 1000 A @ 80V DC
Insulating Body	: Out of thermoplastic (UL 94-V0, heat-resistant)
Cover	: Out of thermoplastic (UL 94-V0, heat-resistant) Red, not transparent
Terminals	: Blade contacts, Copper alloy, gal. Sn plated, Edge-protected
Approval	: UL Approved

Diagram

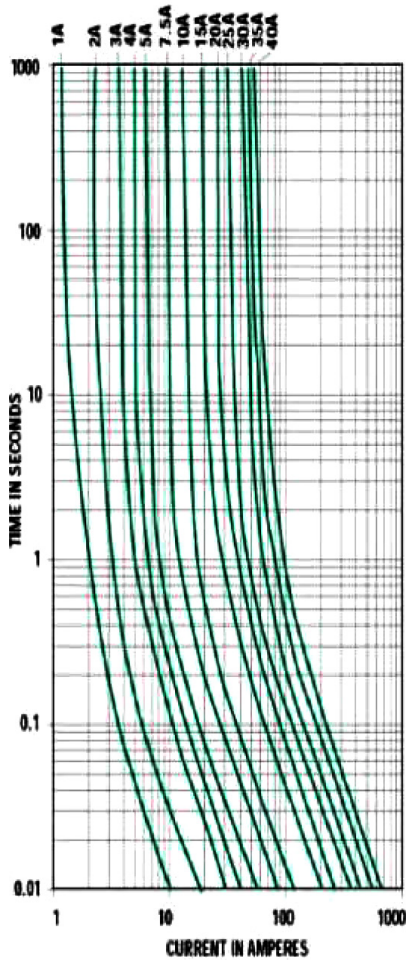


Dimensions : Millimetres
Tolerance: $\pm 0.2\text{mm}$

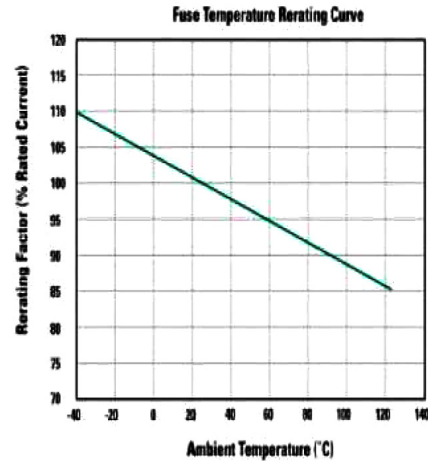
Time-Current Characteristics

% of Rated Current	Operating Time
110%	4h
150%	0.5~300s
200%	0.15~20s
350%	0.04~0.5s
600%	0.02~0.1s

Time-Current Characteristic Curves



Temperature Re-rating Curve



Part Number Table

Description	Part Number
ATP Blade Fuse, 1A, 80V, Black	MP013931
ATP Blade Fuse, 2A, 80V, Grey	MP013932
ATP Blade Fuse, 3A, 80V, Violet	MP013933
ATP Blade Fuse, 5A, 80V, Tan	MP013934
ATP Blade Fuse, 7.5A, 80V, Brown	MP013935
ATP Blade Fuse, 10A, 80V, Red	MP013936
ATP Blade Fuse, 15A, 80V, Blue	MP013937
ATP Blade Fuse, 20A, 80V, Yellow	MP013938
ATP Blade Fuse, 25A, 80V, Clear	MP013939
ATP Blade Fuse, 30A, 80V, Green	MP013940
ATP Blade Fuse, 40A, 80V, Orange	MP013941

Important Notice : This data sheet and its contents (the "Information") belong to the members of the AVNET group of companies (the "Group") or are licensed to it. No licence is granted for the use of it other than for information purposes in connection with the products to which it relates. No licence of any intellectual property rights is granted. The Information is subject to change without notice and replaces all data sheets previously supplied. The Information supplied is believed to be accurate but the Group assumes no responsibility for its accuracy or completeness, any error in or omission from it or for any use made of it. Users of this data sheet should check for themselves the Information and the suitability of the products for their purpose and not make any assumptions based on information included or omitted. Liability for loss or damage resulting from any reliance on the Information or use of it (including liability resulting from negligence or where the Group was aware of the possibility of such loss or damage arising) is excluded. This will not operate to limit or restrict the Group's liability for death or personal injury resulting from its negligence. Multicomp Pro is the registered trademark of Premier Farnell Limited 2019.