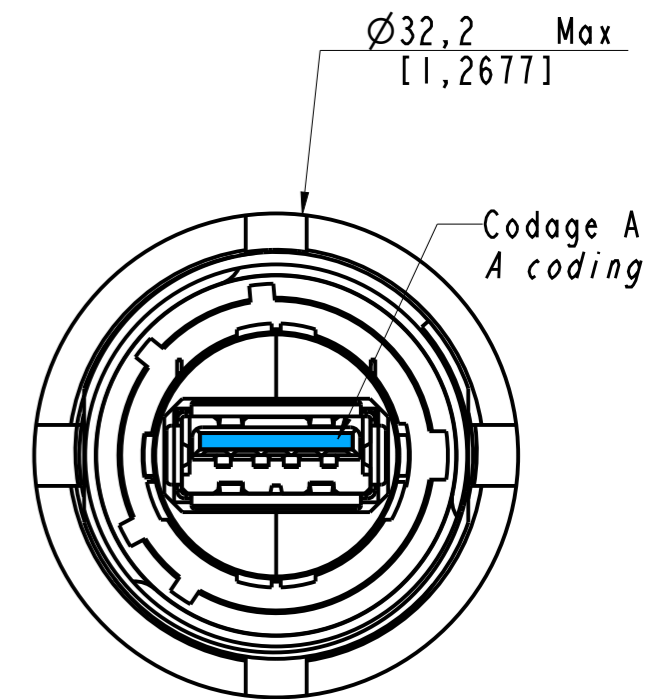
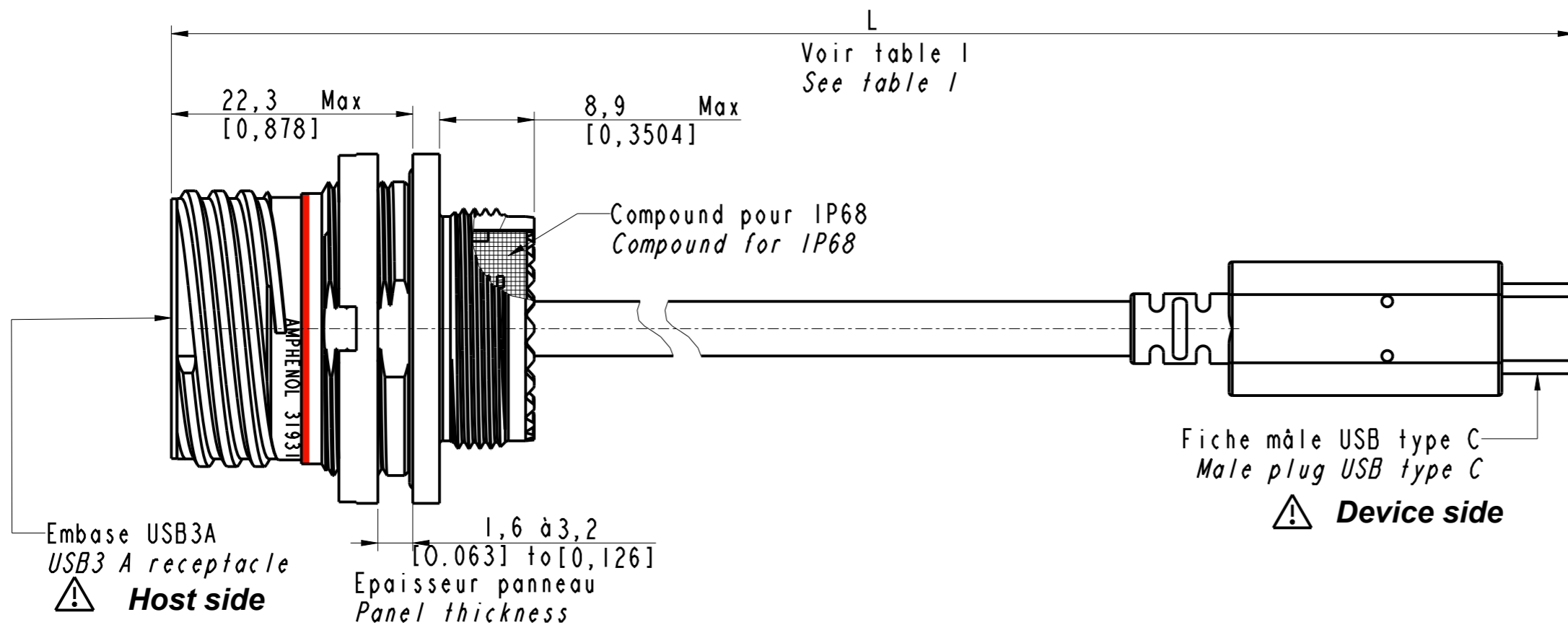


IN THE CONSTANT PURPOSE OF IMPROVING ITS PRODUCTS, Amphenol Socapex RESERVES THE RIGHT TO MODIFY ANY DIMENSION OR CHARACTERISTICS. FM.NPD.0076.THYZE.PUNE rev B



# 31931X-XXX

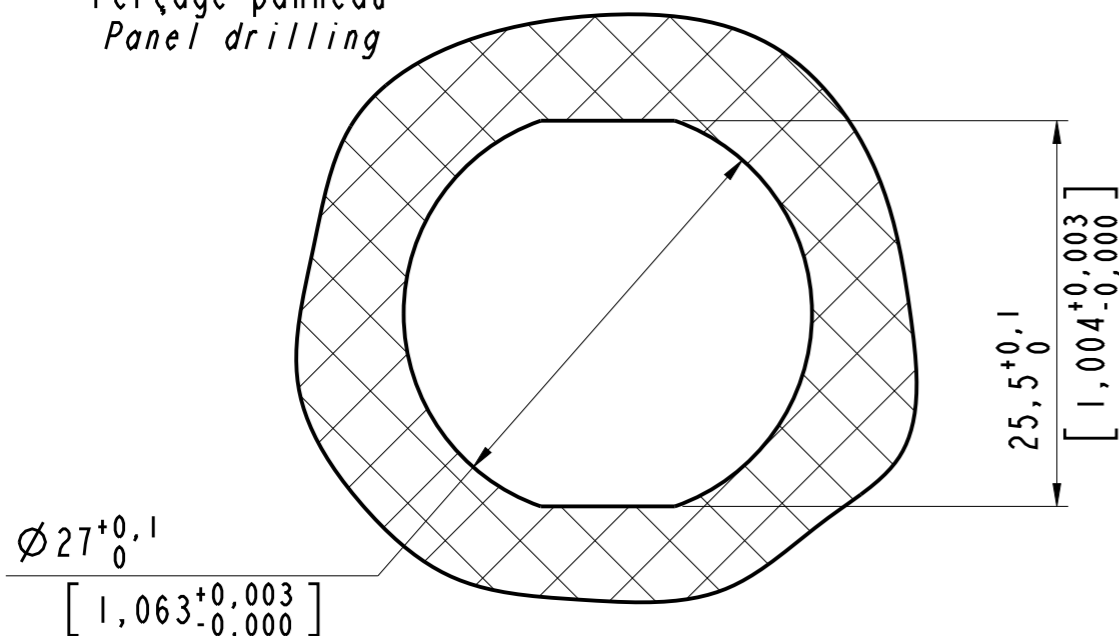
- G Protection cadmium vert olive (non RoHS)  
*Olive drab cadmium plating (not RoHS)*
- N Protection nickel (RoHS)  
*Nickel plating (RoHS)*
- ZN Protection zinc nickel noir (RoHS)  
*Black zinc nickel plating (RoHS)*

Longueur voir tableau I  
Length see table I

Tableau I / Table I

Longueur cordon "L" Cordset length "L"	Désignation Designation
0,15m [5,91]	015
0,30 m [11,811]	030
0,50 m [19,68]	050
1,00 m [39,37]	100

Perçage panneau  
Panel drilling



Nota / Note :

- 1) Le contact 4 (GND), 7 (Drain) et shield sont reliés ensemble.  
*Contact 4 (GND), 7 (Drain) and shield are connected together.*

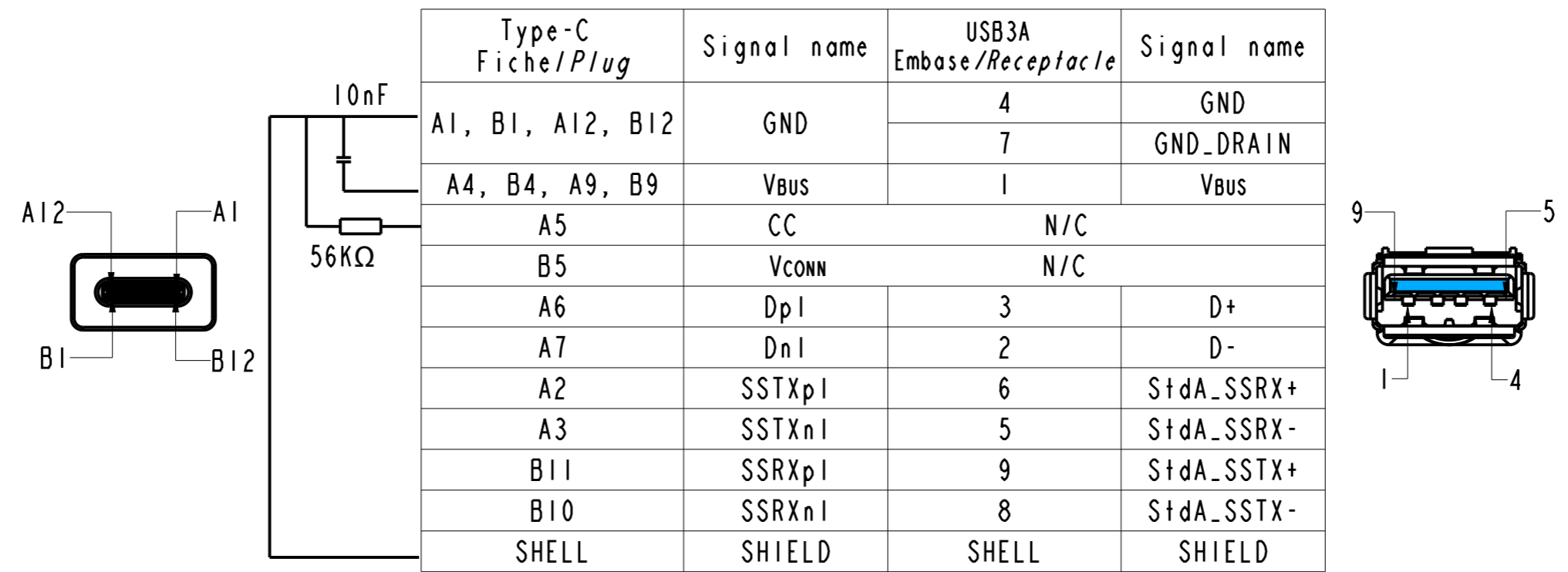
APPROVAL FOR MANUFACTURING Add missing specifications on the drawing if necessary (specific labellings, tolerances,...)		DRAWN BY : F.ROCH	UPDATED BY : F.ROCH	LAST APPROVED BY : S.FALCOZ	
CUSTOMER :	Name : _____ Date : _____	ALL DIMENSIONS ARE IN MM SCALE : 2,0		ORIGINAL DRAWING DATE : 12/12/2023	CONFIGURATION DATA ARE AVAILABLE IN PDM
PROGRAM :				REV : B	PAGE : 1/2
CUSTOMER SIGNATURE		AMPHENOL SOCAPEX B.P. 29 74311 THYZE CEDEX		191-PLC-1284-00	

All dimensions are in mm / [inches]

IN THE CONSTANT PURPOSE OF IMPROVING ITS PRODUCTS, Amphenol Socapex RESERVES THE RIGHT TO MODIFY ANY DIMENSION OR CHARACTERISTICS.  
FM.NPD.0076.THYZE.PUNE rev B

Assignement des contacts  
Pin Assignment

⚠ Câblage croisé / Crossed cabling



APPROVAL FOR MANUFACTURING Add missing specifications on the drawing if necessary (specific labellings, tolerances,...)		DRAWN BY : F.ROCH	UPDATED BY: F.ROCH	LAST APPROVED BY: S. FALCOZ	
CUSTOMER :	Name : _____ Date : _____	ALL DIMENSIONS ARE IN MM	<b>AMPHENOL SOCAPEX</b>		ORIGINAL DRAWING DATE : 12/12/2023
PROGRAM :					CONFIGURATION DATA ARE AVAILABLE IN PDM
CUSTOMER SIGNATURE		SCALE : 2,0	B.P. 29 74311 THYZE CEDEX		REV : B PAGE : 2/2
		⊕ ⊖			<b>191-PLC-1284-00</b>