



WI130T-P340

W130

MINIATURE PHOTOELECTRIC SENSORS

SICK
Sensor Intelligence.



Illustration may differ



Ordering information

Type	Part no.
WI130T-P340	6032851

Other models and accessories → www.sick.com/W130

Detailed technical data

Features

Dimensions (W x H x D)	10.5 mm x 33.8 mm x 81.4 mm
Housing design (light emission)	Rectangular
Adjustment	Single teach-in button Cable
Special features	Fiber-optic photoelectric sensor Operation in combination with sensor heads from the W 130L series

Mechanics/electronics

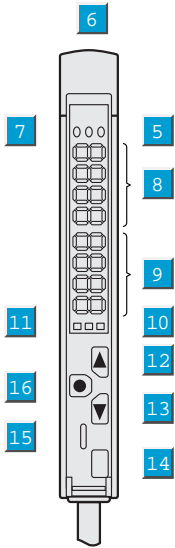
Supply voltage	12 V DC ... 24 V DC
Current consumption	50 mA
Switching output	PNP
Switching mode	Light/dark switching
Switching mode selector	Programmable
Output current $I_{max.}$	≤ 100 mA
Response time	60 μs 500 μs 5 ms
Delay time	ON and OFF delay, 0 ... 9 s,
Connection type	Male connector M8, 4-pin
Circuit protection	A ¹⁾ D ²⁾
Protection class	III
Weight	20 g
Housing material	Plastic, PPE/PC
Enclosure rating	IP50
Items supplied	Mounting bracket

¹⁾ A = V_S connections reverse-polarity protected.

²⁾ D = outputs overcurrent and short-circuit protected.

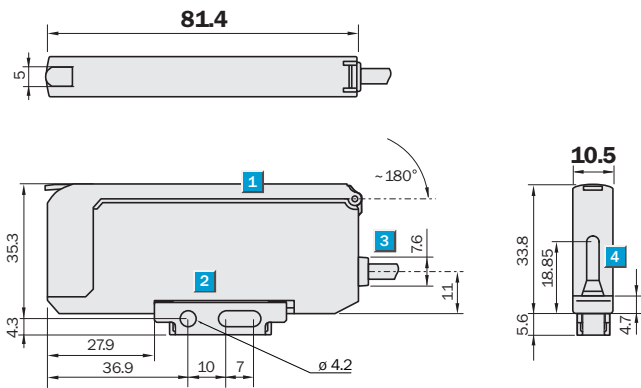
³⁾ More than 2 devices mounted as a block max. 50 °C.

Adjustments



- ⑤ LED indicator: output 1
- ⑥ LED indicator: laser active
- ⑦ LED indicator: output 2
- ⑧ Display: measurement value
- ⑨ Display: switching point
- ⑩ Indicator: SET active
- ⑪ LED indicator: output 1 or 2 activated
- ⑫ Function key



Dimensional drawing (Dimensions in mm (inch))



- ① Protective hood opens approx. 180°
- ② Mounting bracket, included with delivery
- ③ Connection
- ④ Connection for sensor heads

Recommended accessories

Other models and accessories → www.sick.com/W130

	Brief description	Type	Part no.
Plug connectors and cables			
	Head A: female connector, M8, 4-pin, straight, A-coded Head B: Flying leads Cable: Sensor/actuator cable, PVC, unshielded, 5 m	YF8U14-050VA3XLEAX	2095889
	Head A: male connector, M8, 4-pin, straight Cable: unshielded	STE-0804-G	6037323

SICK AT A GLANCE

SICK is one of the leading manufacturers of intelligent sensors and sensor solutions for industrial applications. A unique range of products and services creates the perfect basis for controlling processes securely and efficiently, protecting individuals from accidents and preventing damage to the environment.

We have extensive experience in a wide range of industries and understand their processes and requirements. With intelligent sensors, we can deliver exactly what our customers need. In application centers in Europe, Asia and North America, system solutions are tested and optimized in accordance with customer specifications. All this makes us a reliable supplier and development partner.

Comprehensive services complete our offering: SICK LifeTime Services provide support throughout the machine life cycle and ensure safety and productivity.

For us, that is “Sensor Intelligence.”

WORLDWIDE PRESENCE:

Contacts and other locations –www.sick.com