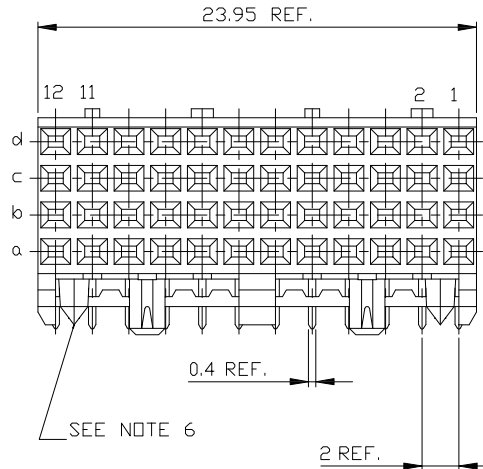
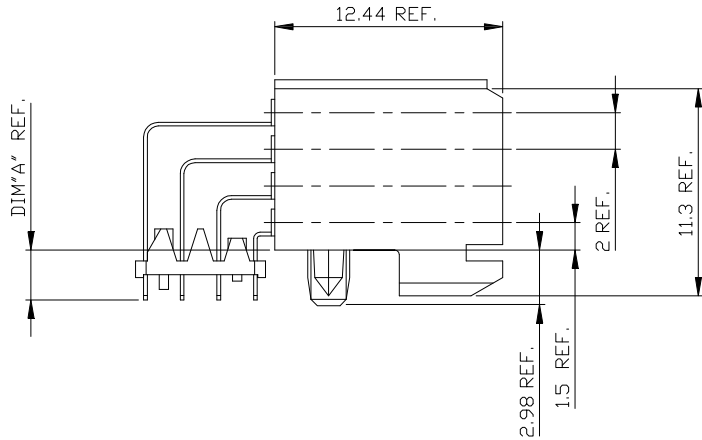
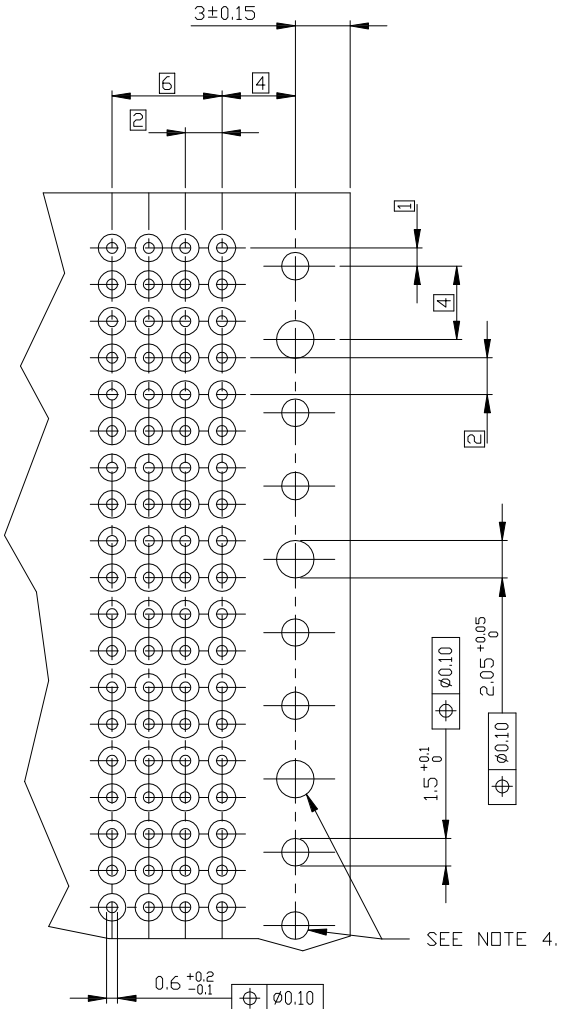
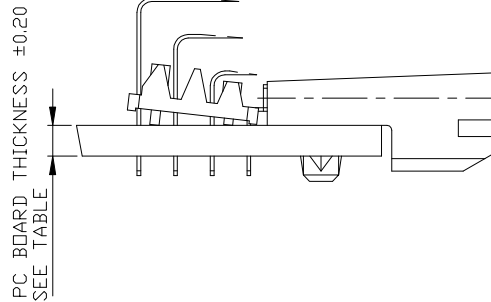


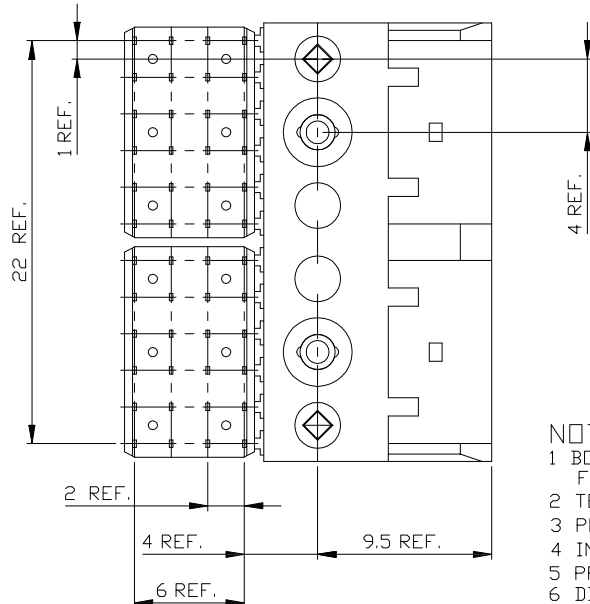
PC BOARD VERSIONS		
PRODUCTNR:	PCB THICKNESS	DIM"A"
89036-X01/X01LF	1.6	2.90
89036-X11/X11LF	2.4	3.53



PRODUCT AFTER PC BOARD APPLICATION.



RECOMMENDED HOLE PATTERN, COMPONENT SIDE.



NOTES:

- BODY MAT'L: LIQUID CRYSTAL POLYMER 30% GLASS
FLAME RETARDANT ACC. UL 94-V0
- TERMINAL MATERIAL: PHOSPHOR BRONZE.
- PLATING SOLDER TAILS 2-8 um SnPb 90-97 OR 2-8 um PURE Sn
- INDICATED HOLES ARE UNPLATED.
- PRODUCT MARKING: PART NUMBER & BATCH ID.
- DIAMOND LOCATION PEG ARE ONLY EXISTED ON THE BOTH SIDES OF PRODUCT.
- THIS PRODUCT MEETS EUROPEAN UNION DIRECTIVES AND OTHER COUNTRY REGULATIONS AS DESCRIBED IN GS-22-008 .
- THE HOUSING WILL WITHSTAND EXPOSURE TO 260DEGREE PEAK TEMPERATURE FOR 10 SECONDS IN A WAVE SOLDER APPLICATION.

PLATING CONTACT AREA:

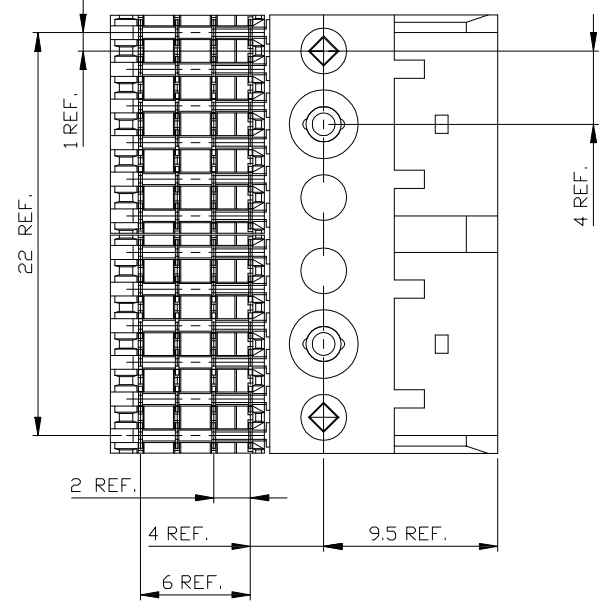
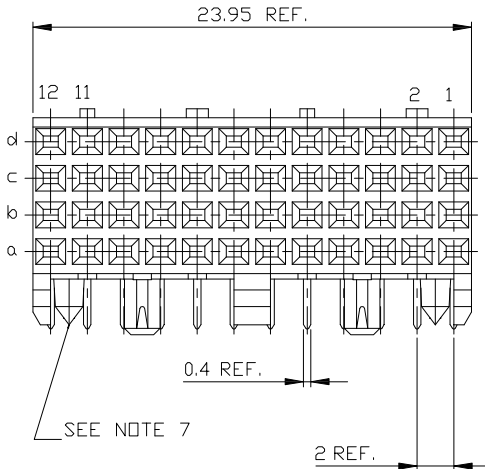
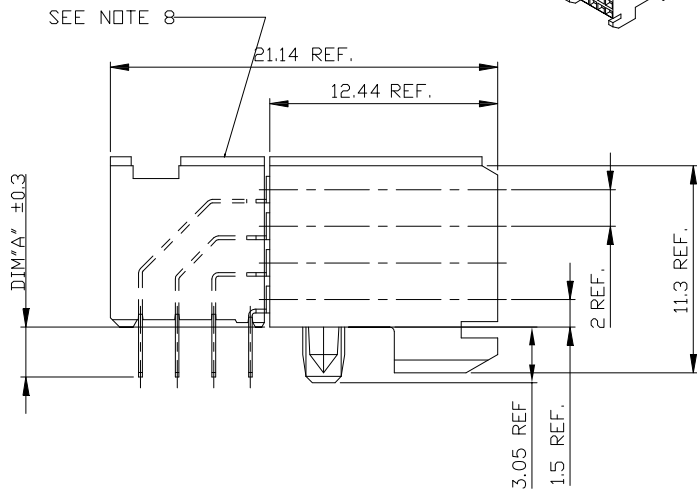
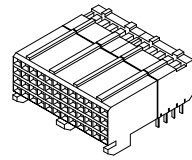
DASH NR:	PERFORMANCE LEVEL
-1YY/1YYLF	TELCORDIA CO
-2YY/2YYLF	CUSTOMER SPECIAL
-3YY/3YYLF	CUSTOMER SPECIAL

mat'l code		tolerances unless otherwise specified		CUSTOMER CDPY		FCI	
ltr	ecn	ndr	date	linear	projection	title	RA FEMALE SIGNAL
J	0604-004	Clu	041221			24 mm PRESS PEG	
K	0606-0478	Enh	11/23/06				
L	0607-071	Enh	05/25/07	angles			
M	0608-071	TER	8/26/08	dir	H.Bouwknegt	930202	product family METRAL(tn)
N	0609-0068	Enh	06/06/09	engr	H. Bouwknegt	940311	code 213
		chr		Slee		930203	size dwg no
		app		J.Vintjes		930203	scale 5:1
sheet index	revision	N	N	N	N		
	sheet	1	2	3			

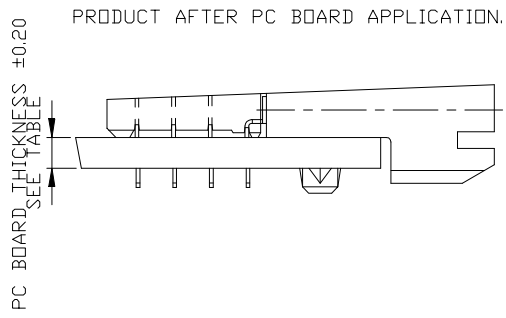
All rights strictly reserved. Reproduction or use in any form without written authority from the proprietor. Property of FCI nv. © FCI nv.

All rights strictly reserved. Reproduction or use in any form without written authority from the proprietor.
 Tous droits strictement réservés. Reproduction ou utilisation sans autorisation écrite du propriétaire.
 Property of F.C.T. bv.
 © F.C.T. bv.

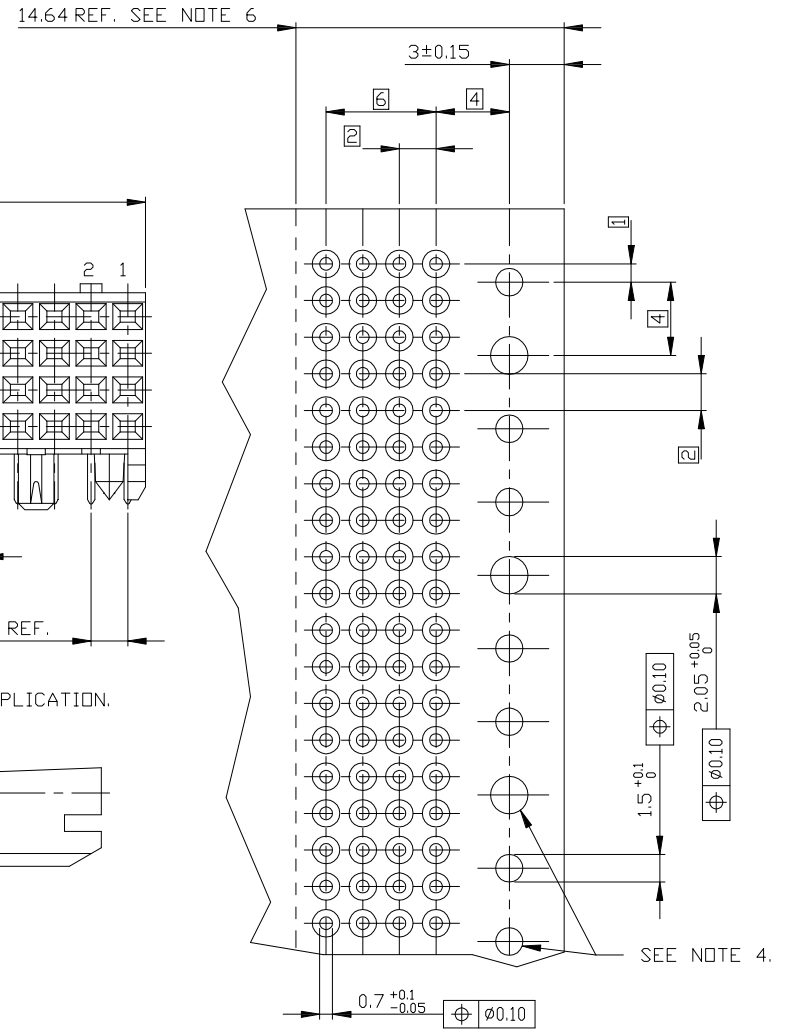
PC BOARD VERSIONS		
PRODUCTNR:	PCB THICKNESS	DIM"A"
89036-X02/X02LF	1.6	2.90
89036-X12/X12LF	2.4	3.53



PLATING CONTACT AREA:	
DASH NR:	PERFORMANCE LEVEL
-1YY/1YYLF	TELCORDIA CO
-2YY/2YYLF	CUSTOMER SPECIAL
-3YY/3YYLF	CUSTOMER SPECIAL



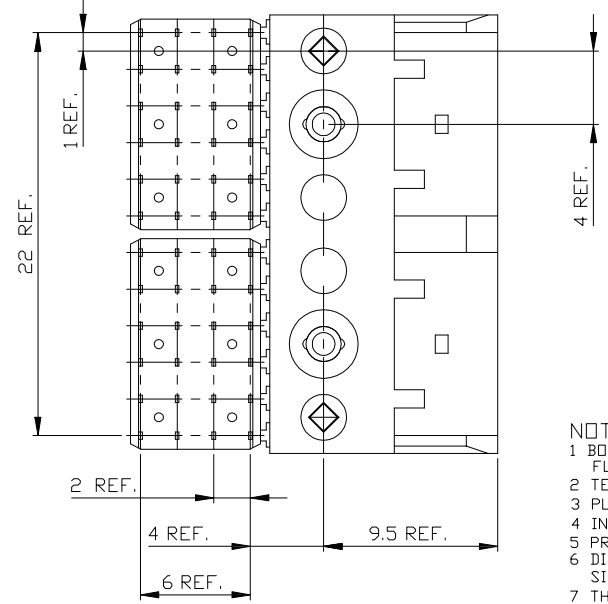
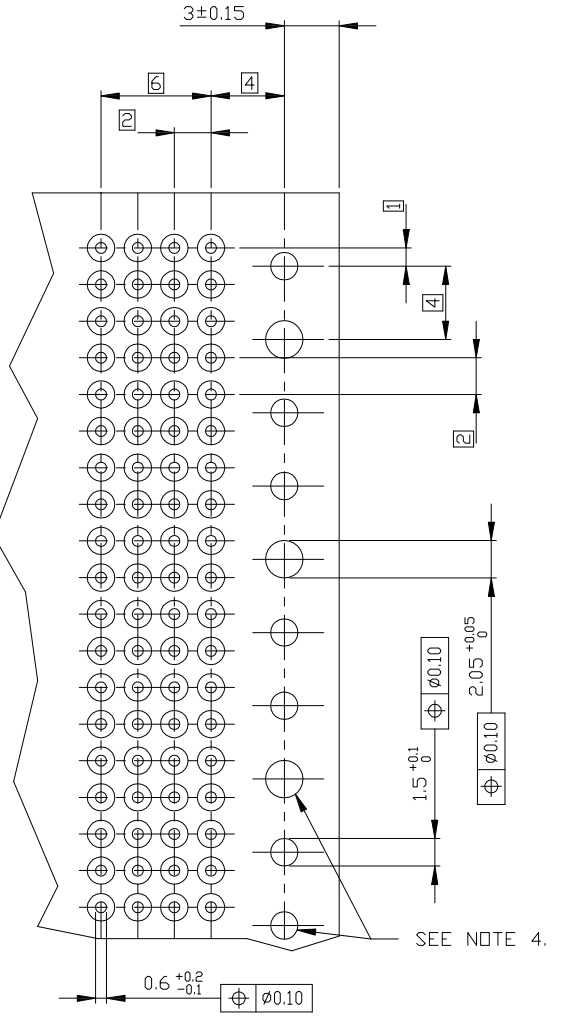
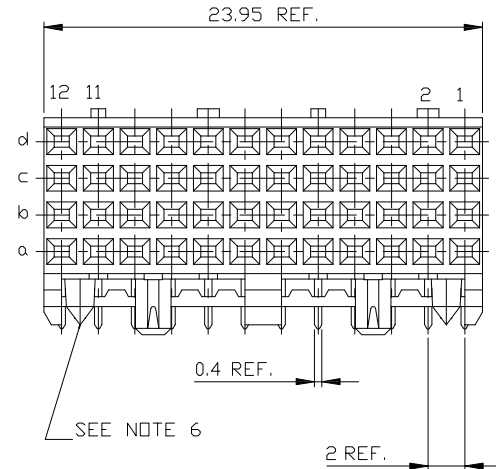
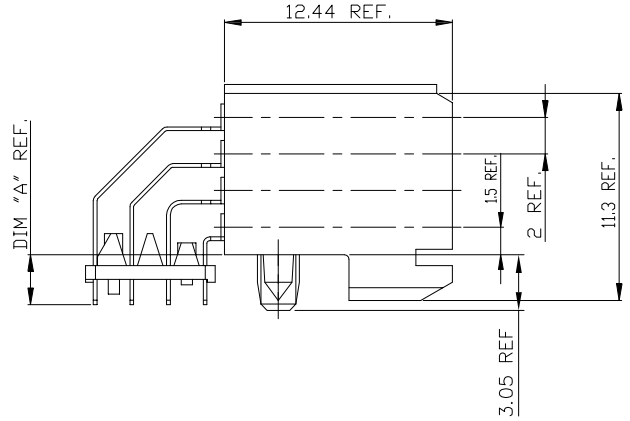
- NOTES:
- BODY MAT'L: LIQUID CRYSTAL POLYMER 30% GLASS
FLAME RETARDANT ACC. UL 94-V0
 - TERMINAL MATERIAL: PHOSPHOR BRONZE.
 - PLATING SOLDER TAILS 2-8 μm SnPb 90-97 OR 2-8 μm PURE Sn
 - INDICATED HOLES ARE UNPLATED.
 - PRODUCT MARKING: PARTNUMBER & BATCH ID.
 - SET BACK FOR PRESS BLOCK.
 - DIAMOND LOCATION PEG ARE ONLY EXISTED ON THE BOTH SIDES OF PRODUCT.
 - TOP SURFACE OF PRESS BLOCK MAY EXTEND UP TO 0.4MM HIGHER THAN HOUSING. THIS MAY AFFECT THE TAIL LENGTH BEFORE APPLICATION TO A BOARD
 - THIS PRODUCT MEETS EUROPEAN UNION DIRECTIVES AND OTHER COUNTRY REGULATIONS AS DESCRIBED IN GS-22-008.
 - THE HOUSING WILL WITHSTAND EXPOSURE TO 260DEGREE PEAK TEMPERATURE FOR 10 SECONDS IN A WAVE SOLDER APPLICATION.



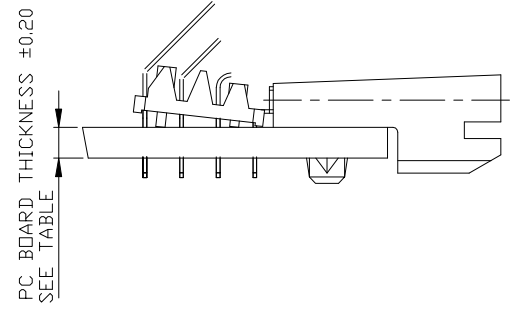
RECOMMENDED HOLE PATTERN, COMPONENT SIDE.

mat'l code		tolerances unless otherwise specified		CUSTOMER CDPY		 www.fciconnection.com	
ltr	ecnr	ndr	date	linear	projection	title RA FEMALE SIGNAL	
N						size dwg no	
				angles		product family METRAL(tm)	code 213
				dir. D. de Bil 970529	mm	scale 5:1	sheet 2 of 2
				engr. P. Schalk 970529			
				chr. P. Schalk 970529			
				app. H. Cooljans 970529			
sheet index	revision						

PC BOARD VERSIONS		
PRODUCTNR:	PCB THICKNESS	DIM "A"
89036-X03/X03LF	1.6	2.90
89036-X13/X13LF	2.4	3.53



PRODUCT AFTER PC BOARD APPLICATION.



- NOTES:
- 1 BODY MAT'L: LIQUID CRYSTAL POLYMER 30% GLASS
FLAME RETARDANT ACC. UL 94-V0
 - 2 TERMINAL MATERIAL: PHOSPHOR BRONZE.
 - 3 PLATING SOLDER TAILS 2-8 um SnPb 90-97 OR 2-8 um PURE Sn
 - 4 INDICATED HOLES ARE UNPLATED.
 - 5 PRODUCT MARKING: PART NUMBER & BATCH ID.
 - 6 DIAMOND LOCATION PEG ARE ONLY EXISTED ON THE BOTH SIDES OF PRODUCT.
 - 7 THIS PRODUCT MEETS EUROPEAN UNION DIRECTIVES AND OTHER COUNTRY REGULATIONS AS DESCRIBED IN GS-22-008
 - 8 THE HOUSING WILL WITHSTAND EXPOSURE TO 260DEGREE PEAK TEMPERATURE FOR 10 SECONDS IN A WAVE SOLDER APPLICATION.

PLATING CONTACT AREA:

DASH NR:	PERFORMANCE LEVEL
-1YY/1YYLF	TELCORDIA CO
-2YY/2YYLF	CUSTOMER SPECIAL
-3YY/3YYLF	CUSTOMER SPECIAL

mat'l code		tolerances unless otherwise specified		CUSTOMER CDPY		 www.fciconnection.com		
ltr	ecn	no	date	linear	projection	title RA FEMALE SIGNAL		
N				angles		24 mm PRESS PEG		
				dir	Heaven Cen	11/23/06	product family METRAL(tn)	
				eng	Collins Lu	11/23/06	code 213	
				chr	Beer Fu	11/23/06	size dwg no	
				app	Joseph Hsia	11/23/06	scale 5:1	
sheet	revision							code
index	sheet							3 of 3

All rights strictly reserved. Reproduction or issue in third parties in any form without written authority from the proprietor. Property of F.C.I. S.A. © F.C.I. S.A.