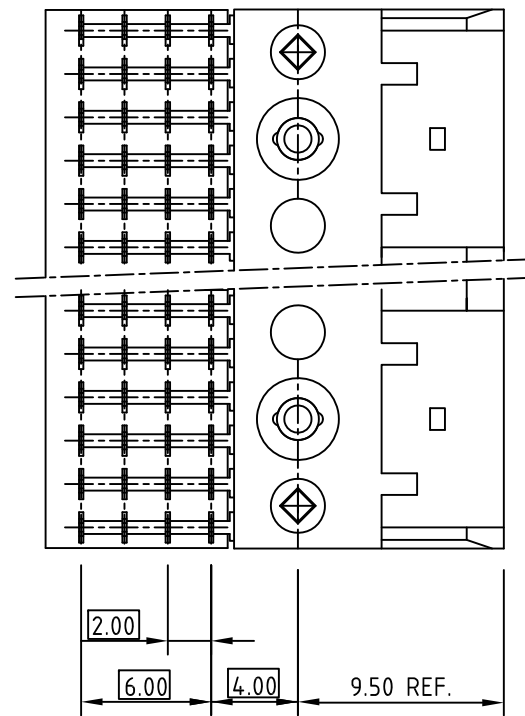
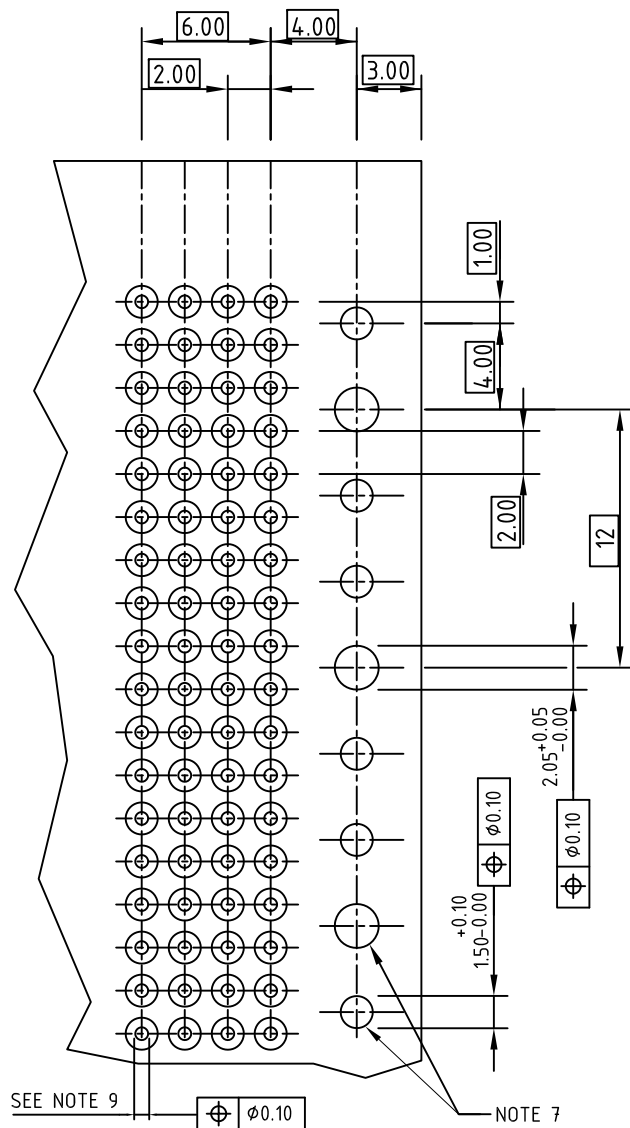
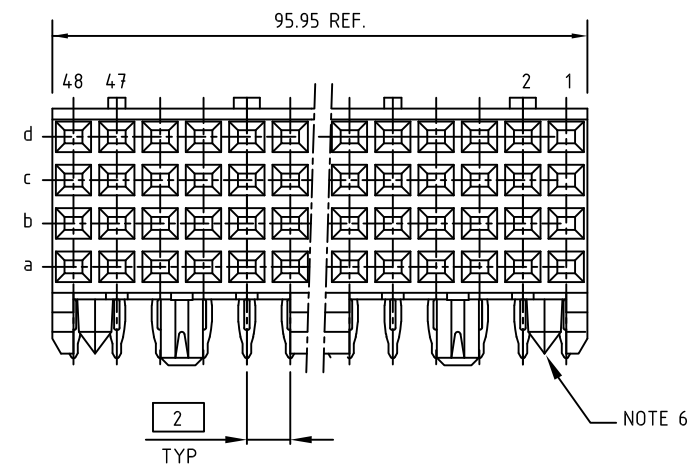
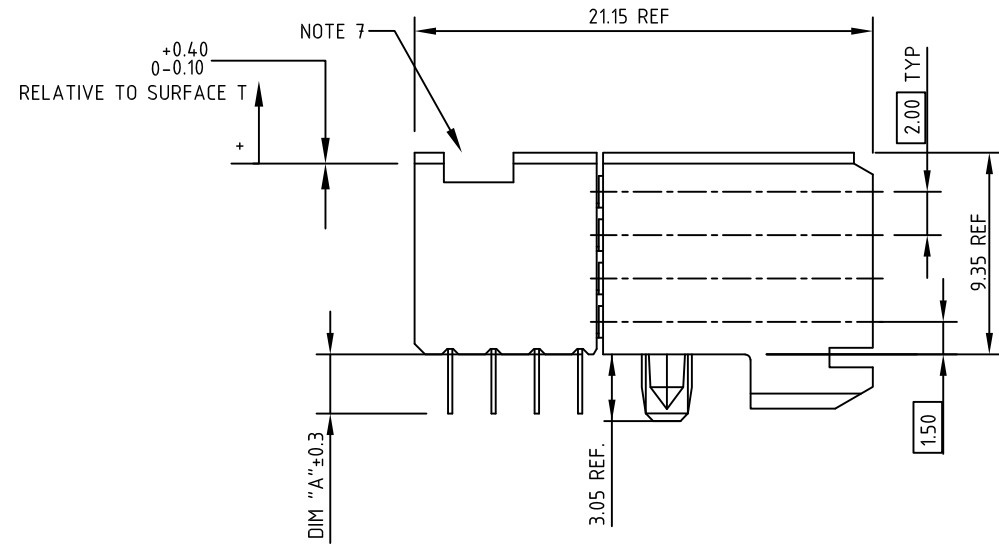


PRODUCT NUMBER	PCB THICKNESS	DIM "A"
88948-X02LF	1.6	2.90
88948-X12LF	2.4	3.53



NOTES:

- MATERIAL : BODY : THERMOPLASTIC UL94-V0
CONTACT : COPPER ALLOY.
- FOR PLATING PERFORMANCE REFER DRAWING # 10159408
- PRODUCT SPECIFICATION : GS-12-002
- APPLICATION SPECIFICATIONS : BUS-20-061 , GS-20-001,TA-941
- INDICATED HOLES ARE UNPLATED
- DIAMOND LOCATION PEG ARE ONLY EXISTED ON THE BOTH SIDES OF PRODUCT.
- TOP SURFACE OF PRESS BLOCK MAY EXTEND UP TO 0.4MM HIGHER THAN HOUSING. THIS MAY AFFECT THE TAIL LENGTH BEFORE APPLICATION TO A BOARD.
- THIS PRODUCT MEETS EUROPEAN UNION DIRECTIVES AND OTHER COUNTRY REGULATIONS AS DESCRIBED IN GS-47- 0004
- ALL PRODUCTS WILL WITHSTAND EXPOSURE TO 240°C FOR 60 SECONDS IN A CONVECTION, INFAR-RED OR VAPOR PHASE REFLOW OVEN.
- A Δ SYMBOL WILL BE NEXT TO ANY DIMENSION, VIEW, OR NOTE WHICH HAS BEEN MODIFIED WITH THE CURRENT DRAWING REVISION.
- FOR RECCOMENDED PTH DIMENSIONS REFER DRAWING NO : 58351.

SEE NOTE 9

NOTE 7

REFER NOTE 2

PART NUMBER : 88948-XYYLF

RECOMMENDED PC BOARD LAYOUT,
COMPONENT SIDE.
FOR PTH REFER DRAWING 58351

mat'l. code				surface ISO 1302 ✓		tolerance ISO 406 ISO 1101		projection 		product family METRAL (tm)	
ltr				ecn no		dr		date		title	
K				V05-0522		DAI		2005-06-08		B SERIES R/A SIGNAL RECEPT ASSY 4 ROW, 8 MOD, PF	
L				DG07-0170		CENH		2007-05-22			
M				DG08-0171		TER		2008-06-09		dwg no sheet 1 of 1 size A3	
N				DG09-0068		CENH		2009-03-03			
P				ELX-I-39007		MINI		2020-11-18		88948	
STU STONER				1992-10-29		ARUN		2020-11-18			
ALEX BABU				2020-11-18		SANJO		2020-11-18		Product Customer Drawing	
sheet index				revision sheet		P		1			