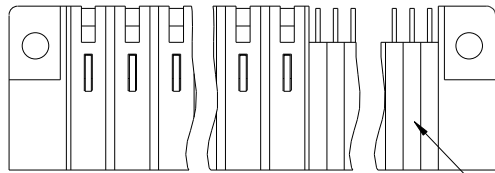


Tous droits strictement réservés. Reproduction ou communication à des tiers interdite sous quelque forme que ce soit sans autorisation écrite du propriétaire. Propriété de c.FCI. Droits de reproduction FCI.

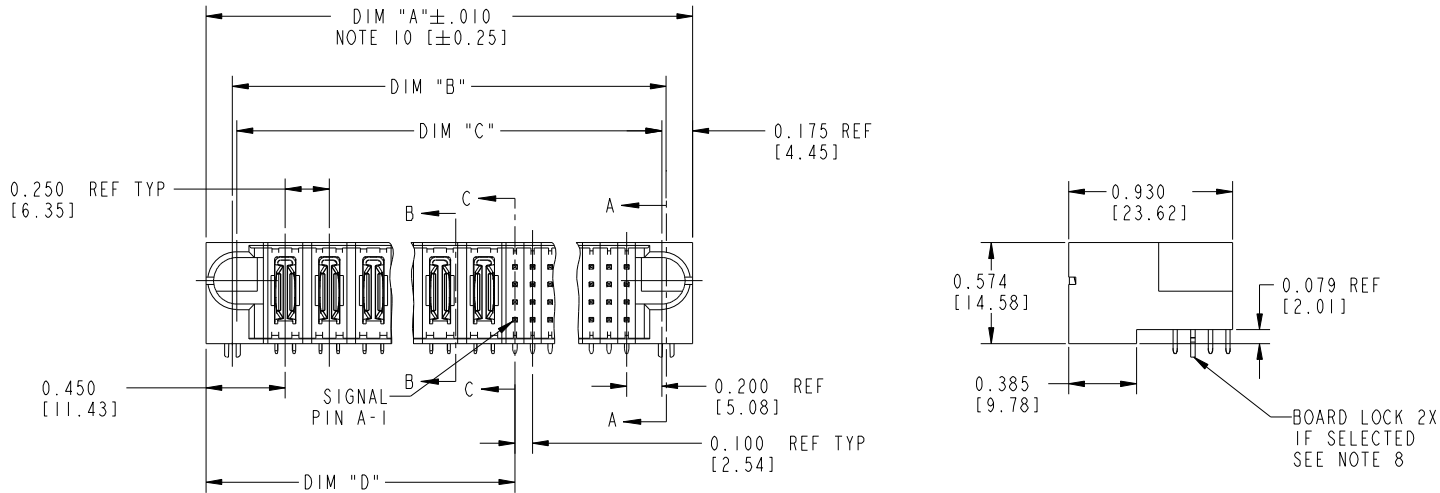


All rights strictly reserved. Reproduction or issue to third parties in any form whatever is not permitted without written authority from the proprietor. Property of FCI. Copyright FCI.

PRODUCT NUMBER
51722-ABBCCC00EF_..
SEE NOTE 1



SEE NOTE 9



mat'l code				tolerances unless otherwise specified		CUSTOMER		 www.fciconnect.com	
ltr	ecn no.	dr	date	linear	.XX±.01/.X±.3	COPY			
H	DG05-0123	SJ	05/24/05		.XXX±.005/.XX±.13	projection		title	
J	DG06-0011	CS	01/13/06	angles	.XXXX±.0020/.XXX±.051			RIGHT ANGLE HEADER w/GUIDE PIN POWER / SIGNAL	
K	DG06-0195	JMG	05/25/06		0°±2°	scale		product family	
L	DG08-0239	JC	09/11/08	dr	D. BOGLE 05-18-99	1:1		POWERBLADE	
				enr	J. BROWN 08-23-98	A		code	
				chr	J. BROWN 05-18-99			213	
				appd	J. BROWN 05-18-99			sheet	
sheet index		revision sheet		L	L	L	51722		1 of 3
		1	2	3					

cage code 22526

Pro/E

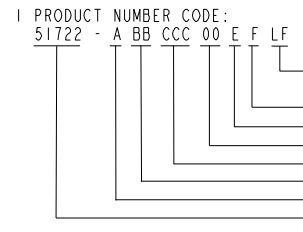
Tous droits strictement reserves. Reproduction ou communication a des tiers interdite sous quelque forme que ce soit sans autorisation écrite du propriétaire. Propriete de c FCI. Droits de reproduction FCI.

All rights strictly reserved. Reproduction or issue to third parties in any form whatever is not permitted without written authority from the proprietor. Property of FCI. Copyright FCI.

PRODUCT NUMBER
51722-ABBCC00EF..
SEE NOTE 1

DIM	LENGTH FORMULAS (SEE NOTE 10)
DIM "A"	.250 [6.35] x BB + .100 [2.54] x (CCC/4) + .650 [16.51] (NOTE 10)
DIM "B"	.250 [6.35] x BB + .100 [2.54] x (CCC/4) + .350 [8.89]
DIM "C"	.250 [6.35] x BB + .100 [2.54] x (CCC/4) + .300 [7.62]
DIM "D"	.250 [6.35] x BB + .375 [9.53]
DIM "F"	.250 [6.35] x BB + .100 [2.54] x (CCC/4) + .680 [17.27]
DIM "G"	.250 [6.35] x BB + .225 [5.72]

CONNECTOR NOTES



NO THIS SUFFIX: 100u"/2.54um SnPb ON PCB INTERFACE
 ADD THIS SUFFIX: 78u"/2.00um Sn ON PCB INTERFACE
 RETENTION TO PCB (NOTE 8)
 TAIL OPTIONS (NOTE 7)
 ALWAYS '00' (ZERO, ZERO)(NOTE 6)
 NUMBER OF SIGNAL CONTACTS (NOTE 5)
 NUMBER OF LEFT POWER CONTACTS (NOTE 4)
 PLATING (NOTE 3)
 BASE NUMBER

- 8. RETENTION TO PCB OPTIONS:
 A = BOARD LOCK (REQUIRES .098 + .002, -.001 [2.49 +0.05, -0.03] THRU HOLE IN PCB).
 MOUNTING FOOT THICKNESS 0.220 [5.59]
 B = .150 [3.81] THRU HOLE (REQUIRES .158±.003 [4.01±08] THRU HOLE IN PCB).
 MOUNTING FOOT THICKNESS 0.160 [4.06]
- 9. MANUFACTURE'S NAME, P/N, AND DATE CODE TO APPEAR ON THIS SURFACE.
- 10. THE MAXIMUM OVERALL LENGTH (DIM A) OF A PART IS 8.00 [203.2]
- 11. PRODUCT SPECIFICATION GS-12-149
- 12. REFERENCE 51730 FOR SELECT LOAD/FMLB FOR WORKSHEET

- 2. HOUSING MATERIAL: GLASS FILLED V-0 HIGH TEMP THERMO PLASTIC.
 SIGNAL CONTACT MATERIAL: PHOS BRONZE
 POWER CONTACT MATERIAL: COPPER ALLOY
- 3. PLATING OPTION:
 1 = SEE PRINT I0064183 FOR PLATING SPEC OF 51722-1BBCC00EF; 51722-1BBCC00EFL
- 4. LEFT END POWER CONTACTS, 01 TO 20 AVAILABLE.
 MAXIMUM OF 20 POWER CONTACTS PER CONNECTOR.
- 5. SIGNAL CONTACTS, 004 TO 148 AVAILABLE.
- 6. THIS PART IS NOT AVAILABLE WITH RIGHT SIDE POWER CONTACTS.
- 7. TAIL OPTIONS:
 A = .135 [3.43] SOLDER TO BOARD

PCB NOTES:

- 13. ALL DIMENSIONS ARE BASIC UNLESS OTHERWISE SPECIFIED.
- 14. ALL THROUGH HOLES ARE LOCATED WITH A TRUE POSITION OF .004[0.10]
- 15. ALL HOLE DIAMETERS ARE FINISHED HOLE SIZE.
- 16. Ø0.0453 ±.001 [1.151 ±0.02] DRILLED HOLES PLATED WITH 0.0003 [0.007] MIN SnPb OVER 0.001 [1.03] TO .003 [0.08] PLATING TO ACHIEVE A .040±.003 [1.02±08] HOLE.
- 17. A Δ SYMBOL WILL BE NEXT TO ANY DIMENSION, VIEW, OR NOTE WHICH HAS BEEN MODIFIED WITH THE CURRENT DRAWING REVISION.

mat'l code				tolerances unless otherwise specified		CUSTOMER		FCJ	
ltr	ecn no.	dr	date	linear	.XX±.01/0.X±0.3	COPY		www.fciconnect.com	
L				linear	.XXX±.005/0.XX±0.13	projection		title	
				angles	.XXX±.0005/0.XXX±.051			RIGHT ANGLE HEADER w/GUIDE PIN POWER / SIGNAL	
				dr	D. BOGLE 05-18-99	INCH/MM		product family POWERBLADE	
				engr	J. BROWN 05-18-99	scale		code	
				chr	J. BROWN 05-18-99	1:1		size	
				appd	J. BROWN 05-18-99	A		dwg no	
sheet index		revision sheet						51722	
								213	
								sheet	
								2 of 3	

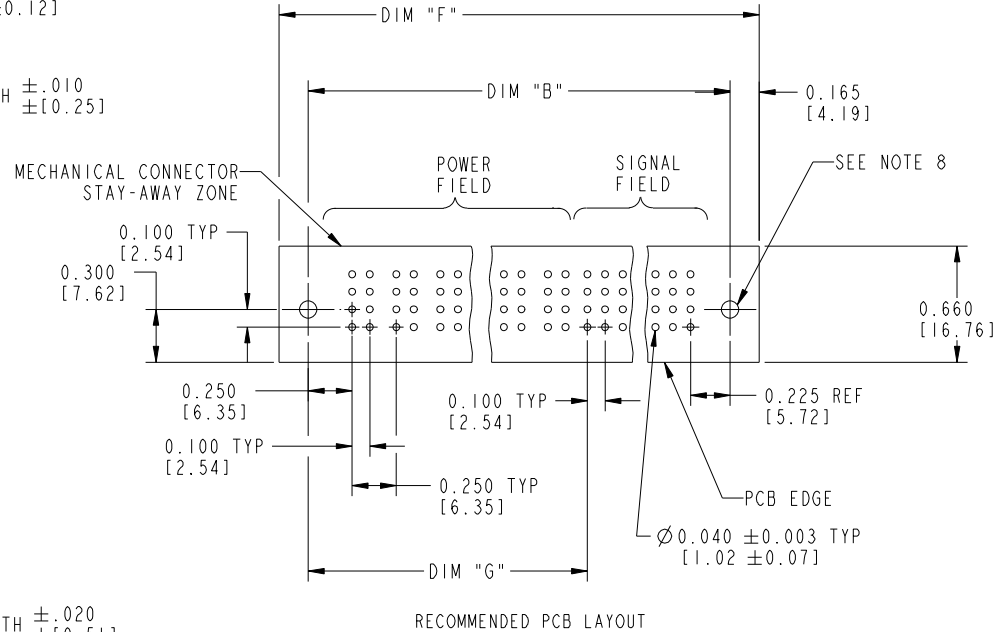
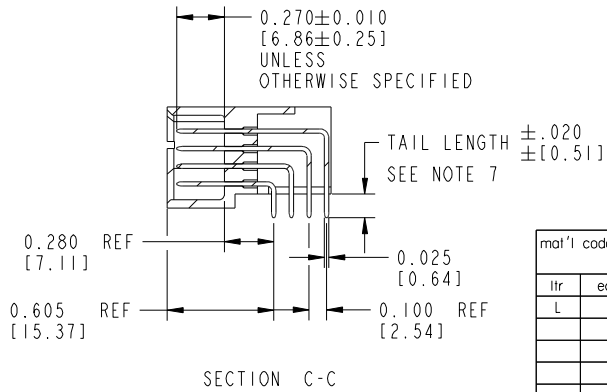
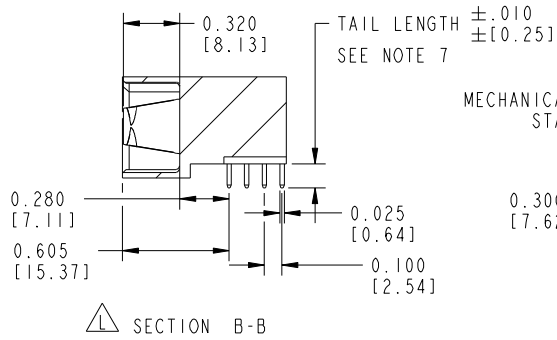
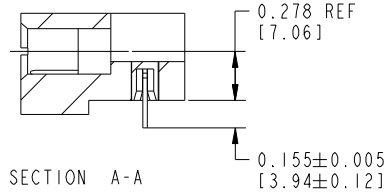
Pro/E 3 cage code 22526 4

Tous droits strictement réservés. Reproduction ou communication à des tiers interdite sous quelque forme que ce soit sans autorisation écrite du propriétaire. Propriété de c.FCI. Droits de reproduction FCI.



All rights strictly reserved. Reproduction or issue to third parties in any form whatever is not permitted without written authority from the proprietor. Property of FCI. Copyright FCI.

PRODUCT NUMBER
51722-ABBCCC00EF__
Note ①



mat'l code		tolerances unless otherwise specified		CUSTOMER		FCI	
ltr	ecn no.	dr	date	linear	.XX±.01/.X±.3	www.fciconnect.com	
L				linear	.XXX±.005/.XX±.13	title RIGHT ANGLE HEADER w/GUIDE PIN POWER / SIGNAL	
				angles	.XXX±.0020/.XXX±.051	product family POWERBLADE code 213	
				dr	0°±2°	size dwg no 51722 sheet 3 of 3	
				enr	D. BOGLE 05-18-99	scale 1:1	
				chr	J. BROWN 08-23-98	cage code 22526	
				appd	J. BROWN 05-18-99		
sheet index	revision sheet						

Pro/E

cage code 22526