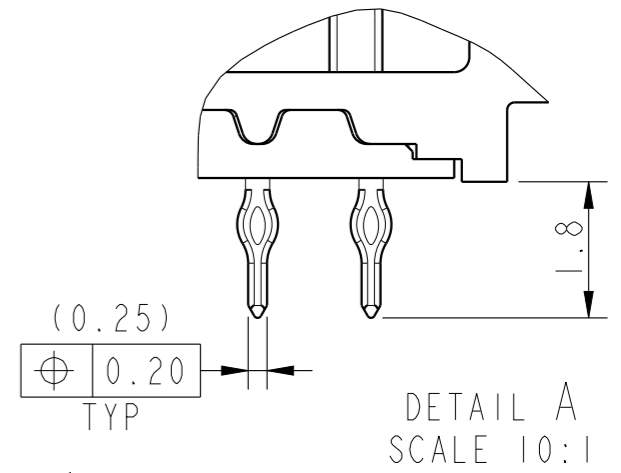
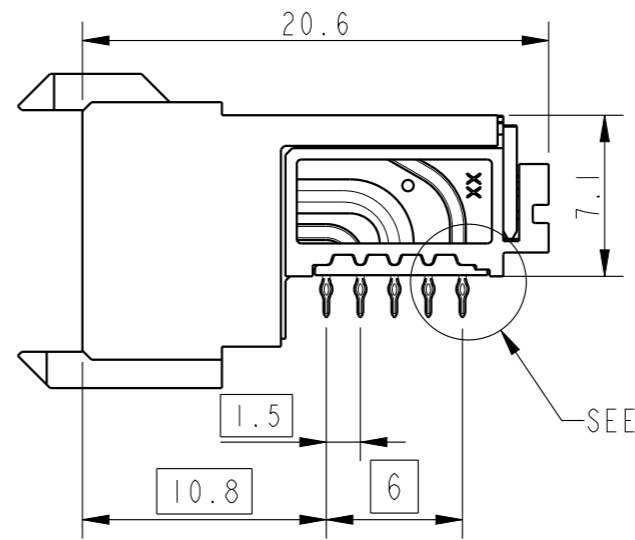
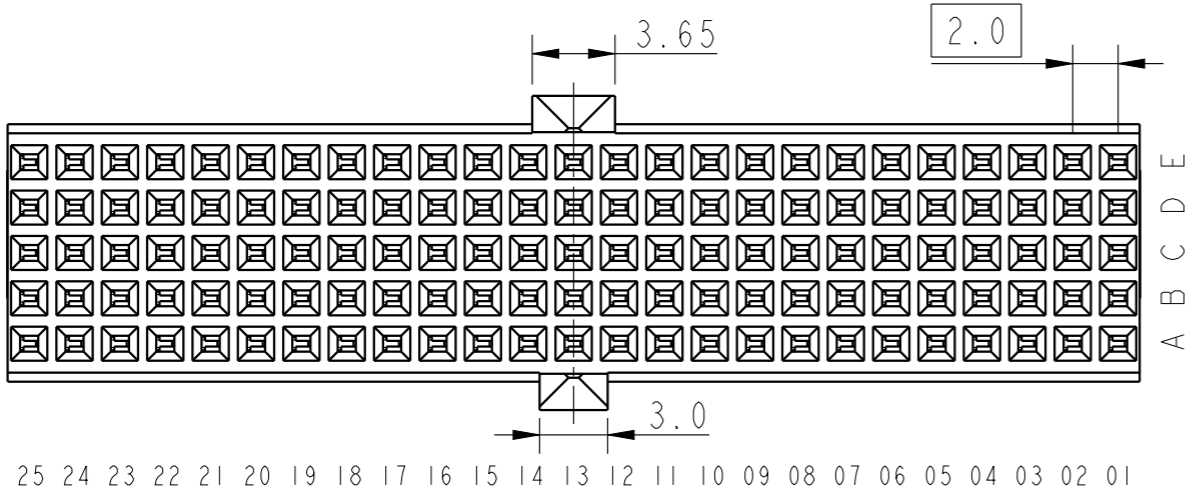
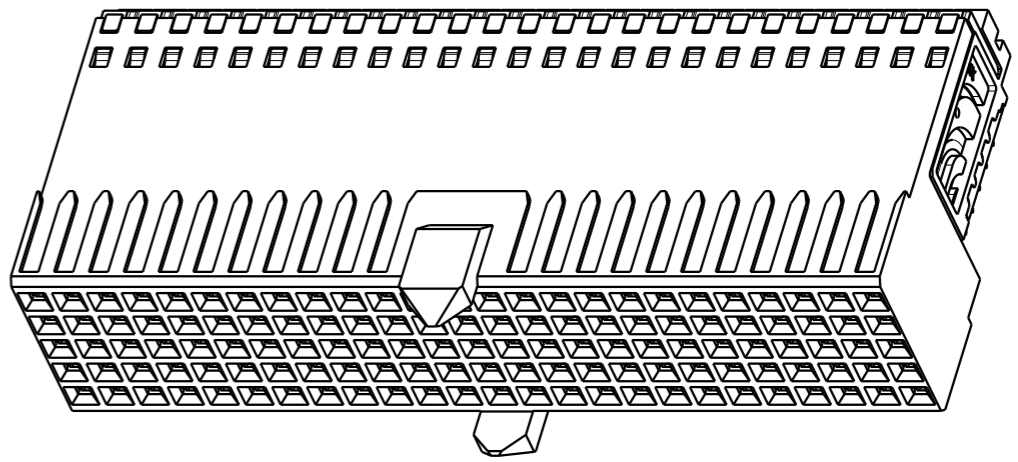
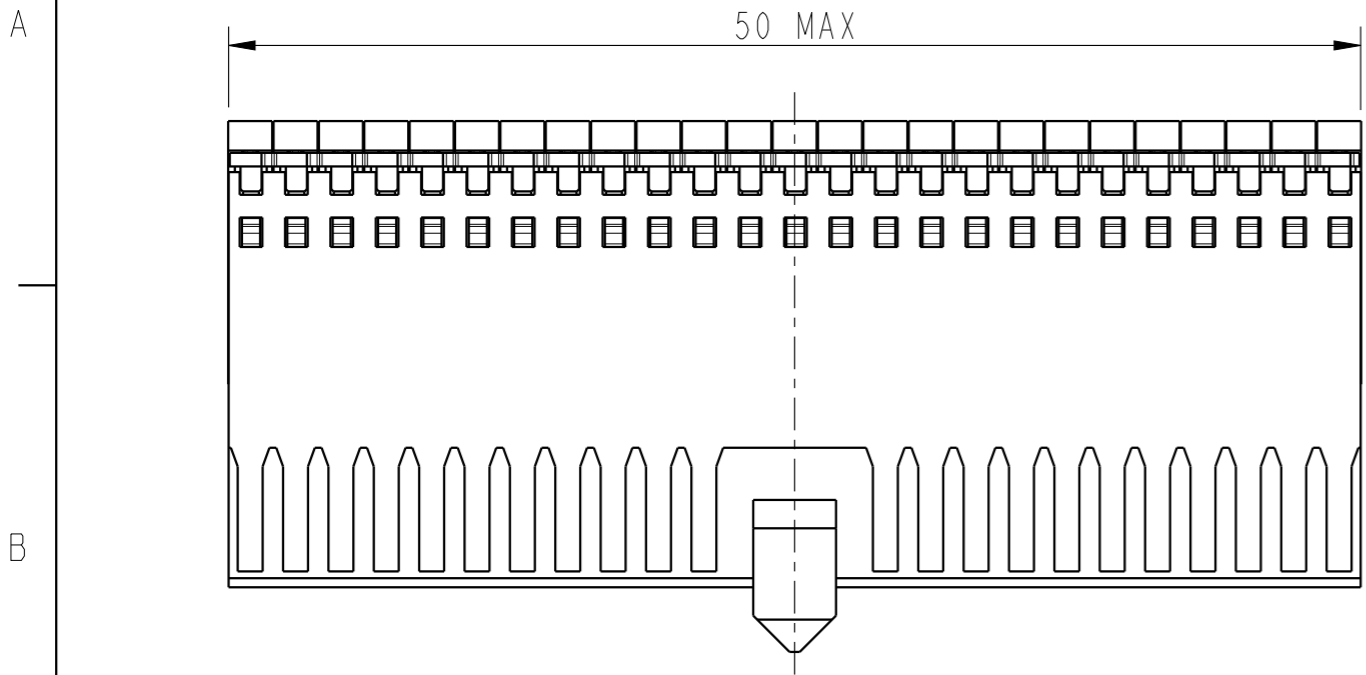


PART NUMBER
10148426-10xLF



Amphenol
FCi

© 2016 AFCI

spec ref		dr	Binesh C	2018/08/04	projection	MM	size	A3	scale	1:1	
tolerance std		eng	Binesh C	2018/08/04			ecn no		-		
ISO 406 ISO 1101		chr	-	-			rel level		Released		
TOLERANCES UNLESS OTHERWISE SPECIFIED		appr	K-Paul Biju	2018/08/04	product family		MILLIPACS				
surface	linear	0.X	±0.3	Amphenol FCi	MILLIPACS HS RA RECEPTACLE TYPE AB		dwg no	10148426		rev	A
		0.XX	±0.20		VERTICAL PINNING_WITHOUT TOP SHIELD						
	angular	0°	±3°		cat. no.	10148426-10xLF	Product - Customer Drw	sheet 1 of 3			

PINNING CONFIGURATION : 10148426-101LF

Z	0	0	0	0	0	0	0	0	0	0				0	0	0	0	0	0	0	0	0	0
A	HS	G	HS	G	HS	G	HS	G	HS	G	HS	G	HS	G	HS	G	HS	G	HS	G	HS	G	HS
B	HS	G	HS	G	HS	G	HS	G	HS	G	HS	G	HS	G	HS	G	HS	G	HS	G	HS	G	HS
C	G	G	G	G	G	G	G	G	G	G	G	G	G	G	G	G	G	G	G	G	G	G	G
D	HS	G	HS	G	HS	G	HS	G	HS	G	HS	G	HS	G	HS	G	HS	G	HS	G	HS	G	HS
E	HS	G	HS	G	HS	G	HS	G	HS	G	HS	G	HS	G	HS	G	HS	G	HS	G	HS	G	HS
F	0	0	0	0	0	0	0	0	0	0				0	0	0	0	0	0	0	0	0	0

HS	HIGH SPEED SIGNAL
G	GROUND
0	EMPTY

PINNING CONFIGURATION : 10148426-102LF

Z	0	0	0	0	0	0	0	0	0	0				0	0	0	0	0	0	0	0	0	0
A	HS	G	HS	G	HS	G	HS	G	HS	G	HS	G	HS	G	HS	G	HS	G	HS	G	HS	G	HS
B	HS	G	HS	G	HS	G	HS	G	HS	G	HS	G	HS	G	HS	G	HS	G	HS	G	HS	G	HS
C	LS	G	LS	G	LS	G	LS	G	LS	G	LS	G	LS	G	LS	G	LS	G	LS	G	LS	G	LS
D	HS	G	HS	G	HS	G	HS	G	HS	G	HS	G	HS	G	HS	G	HS	G	HS	G	HS	G	HS
E	HS	G	HS	G	HS	G	HS	G	HS	G	HS	G	HS	G	HS	G	HS	G	HS	G	HS	G	HS
F	0	0	0	0	0	0	0	0	0	0				0	0	0	0	0	0	0	0	0	0

HS	HIGH SPEED SIGNAL
LS	LOW SPEED SIGNAL
G	GROUND
0	EMPTY

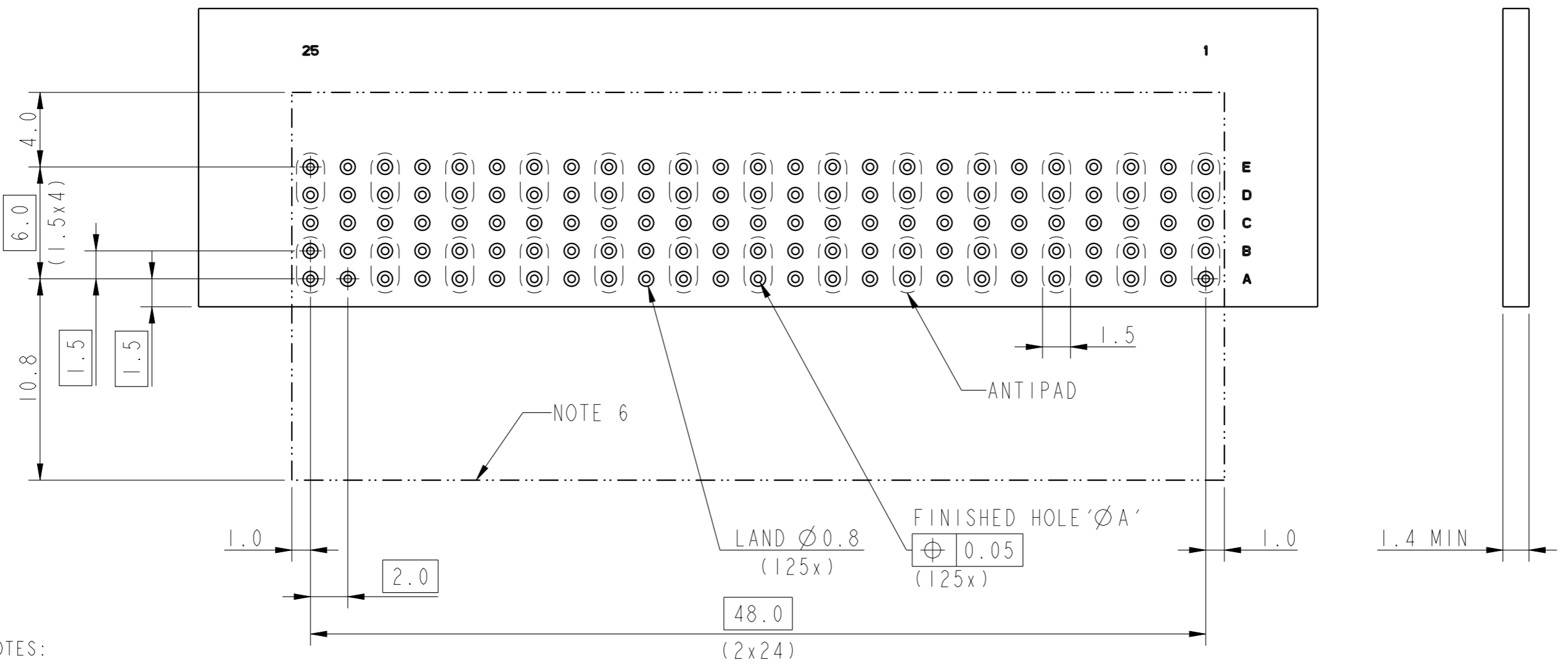
Amphenol FCI

© 2016 AFCI

spec ref	dr	Binesh C	2018/08/04	projection	MM	size	A3	scale	1:1
tolerance std	eng	Binesh C	2018/08/04			ecn no		-	
ISO 406 ISO 1101	chr	-	-			rel level		Released	
surface	linear	0.X	±0.3		MILLIPACS HS RA RECEPTACLE TYPE AB VERTICAL PINNING_WITHOUT TOP SHIELD	cat. no. 10148426-10xLF	Product - Customer Drw	sheet 2 of 3	rev A
		0.XX	±0.20						
		0.XXX	±0.15						
ISO 1302	angular	0°	±3°	MILLIPACS MILLIPACS		10148426			

PART NUMBER
10148426-10xLF

RECOMMENDED PCB LAYOUT



NOTES:

1. Materials
 - Housing & IMLA's: LCP (UL94 V-0)
 - Leadframe: Copper alloy
2. Finish
 - Contact area: Ni underlayer with GXT top layer
 - EON area: Ni underlayer with Sn top layer
3. Mates with IEC 61076-4-101 series 2mm HM headers with contact mating level 1 & 2 in signal rows.
4. Mounting style: Press-fit, flat rock insertion
5. Refer the table for Recommended plated through hole dimensions.
6. Connector spacing

RECOMMENDED PLATED THROUGH HOLE DIMENSIONS

DIM	FINISHED HOLE DIA	Cu. THICKNESS	Sn THICKNESS	DRILLED HOLE DIA
A	0.35-0.45	0.02-0.05	0.0008-0.0012	0.45-0.49

© 2016 AFCI

spec ref	dr	Binesh C	2018/08/04	projection	MM	size	A3	scale	1:1											
tolerance std	eng	Binesh C	2018/08/04			ecn no		-												
ISO 406 ISO 1101	chr	-	-			rel level		Released												
surface	appr	K-Paul Biju	2018/08/04	product family	MILLIPACS	dwg no		10148426												
ISO 1302	<table border="1"> <tr> <td>linear</td> <td>0.X</td> <td>±0.3</td> </tr> <tr> <td></td> <td>0.XX</td> <td>±0.20</td> </tr> <tr> <td></td> <td>0.XXX</td> <td>±0.15</td> </tr> <tr> <td>angular</td> <td>0°</td> <td>±3°</td> </tr> </table>		linear	0.X	±0.3		0.XX	±0.20		0.XXX	±0.15	angular	0°	±3°	Amphenol FCI		MILLIPACS HS RA RECEPTACLE TYPE AB VERTICAL PINNING-WITHOUT TOP SHIELD		rev A	
linear	0.X	±0.3																		
	0.XX	±0.20																		
	0.XXX	±0.15																		
angular	0°	±3°																		
cat. no.		10148426-10xLF		Product - Customer Drw		sheet 3 of 3														