

5.08mm Terminal Block

multicomp PRO

Specifications

Material

Insulator : Thermoplastic, rated UL 94V-0
 insulator color : Green
 Wire guard : Stainless Steel
 Contact : Phosphor Bronze, Tin Plated
 Screw : M2.5, Steel, Zn plated.

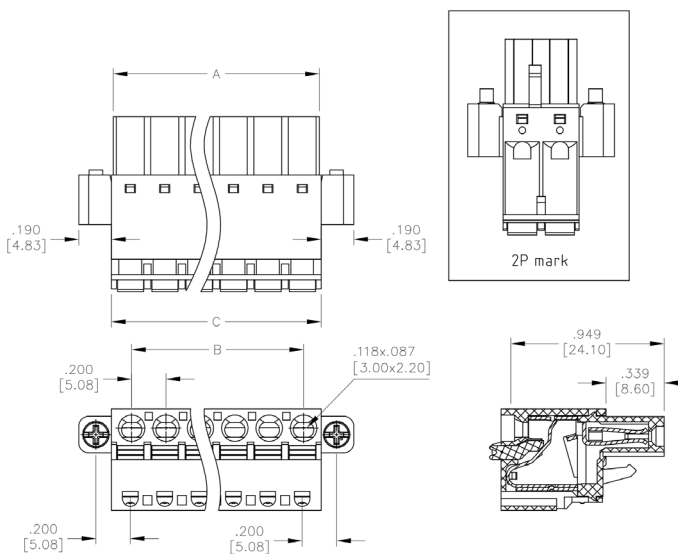
Electrical

Operation Voltage : 300V AC
 Current Rating : 12 Amps
 Solid Wire (AWG) : 12—26
 Stranded wire (AWG) : 12—26
 Wire Strip Length : 8mm to 9mm
 Withstanding Voltage : 1.6KV

Environmental

Operating temperature : -40°C to +115°C
 Recommended Soldering temp: 250°C for 5 sec

Diagram



Dimensions : Inches (Millimetres)

Poles: 2 thru 24

A = .200 [5.08] × No. of Positions

B = .200 [5.08] × No. of Spaces

C = .200 [5.08] × No. of Positions + .020 [0.5]

Part Number Table

Description	Position	Part Number
PCB Terminal Block, 5.08mm	2	MP011178
	3	MP011179
	4	MP011180
	5	MP011181
	6	MP011182
	8	MP011183

Important Notice : This data sheet and its contents (the "Information") belong to the members of the AVNET group of companies (the "Group") or are licensed to it. No licence is granted for the use of it other than for information purposes in connection with the products to which it relates. No licence of any intellectual property rights is granted. The Information is subject to change without notice and replaces all data sheets previously supplied. The Information supplied is believed to be accurate but the Group assumes no responsibility for its accuracy or completeness, any error in or omission from it or for any use made of it. Users of this data sheet should check for themselves the Information and the suitability of the products for their purpose and not make any assumptions based on information included or omitted. Liability for loss or damage resulting from any reliance on the Information or use of it (including liability resulting from negligence or where the Group was aware of the possibility of such loss or damage arising) is excluded. This will not operate to limit or restrict the Group's liability for death or personal injury resulting from its negligence. Multicomp Pro is the registered trademark of Premier Farnell Limited 2019.

Newark.com/multicomp-pro
 Farnell.com/multicomp-pro
 sg.element14.com/b/multicomp-pro

multicomp PRO