

Product Data Sheet

16XX ST

Replace XX with 02, 04, 06, 08 or 12 for number of poles

1600 Series with Stud

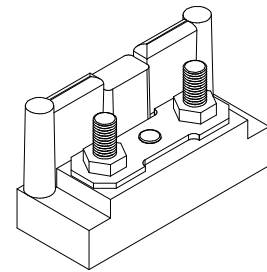
75 Amps, 600 Volts AC/DC

For Use with Prepared Wire Only.

Use Listed ring, spade, or fork lugs

Size and number of lugged wires investigated in end use

Application torque – 20 in. lb.



10-32 Stud
Removable Connector

21/32" Line to Line Spacing

Electrical Ratings:

- 75A max
- 600 Volts AC/DC (UL 1059 Class C, User Group - General Industrial)
- Factory and Field Wiring
- Use Listed terminals and tools for field installation of prepared conductors.

Mechanical Ratings:

- Maximum insulator base temperature: 150°C (302°F) UL RTI
- Storage and transportation temperature range: -35°C to 125°C (-31°F to 257°F)
- Flammability rating of insulator base: UL 94 V-0

Materials:

- Connector: Brass, nickel plated
- Insulator base: phenolic
- Marking Strip: Vinyl (white)
- Marking strip anchor screws: Steel, zinc plated
- Stud: Brass, nickel plated, #10-32
- Nut, Brass, nickel plated

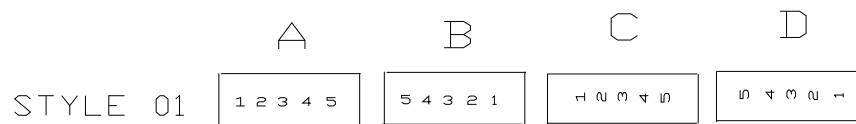
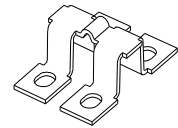
Agency Approvals:

- UL Recognized, UL 1059 Terminal Block Standard, File No. XCFR2.E62806
- CSA Certified, CSA C22.2 No. 158, File No. LR19766
- CE compliant to IEC 60947-7-1
- RoHS Compliant

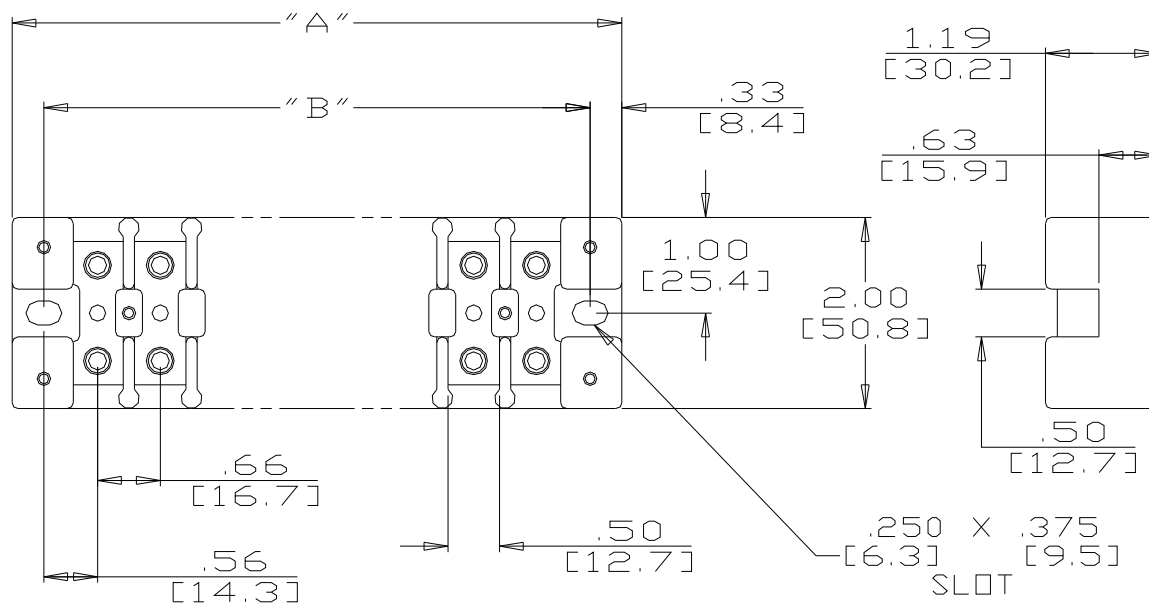
- Panel mountable: #10 fastener, torque to 25-30 in. lbs.

Accessories:

- Riveted connector available (order STRC)
- MCJ (Multi-Circuit Jumper) Bar Available: Only sold loose and the marking strip must be removed to assemble MCJ bar on part.
- Printing Available on Marking Strip:



Consult factory for custom printed applications



Catalog #	# of Poles	A	B
1604	4	3.75	3.09
1606	6	5.06	4.41
1608	8	6.38	5.72
1612	12	9.00	8.34

MM = Dim X 25.4

WWW.MARATHONSP.COM
1-419-352-8441

PDS 0209 REV B 08/23/16