

Str Plug, 3.5mm, Green, LH, 2 ✓ ACTIVE

Buchanan

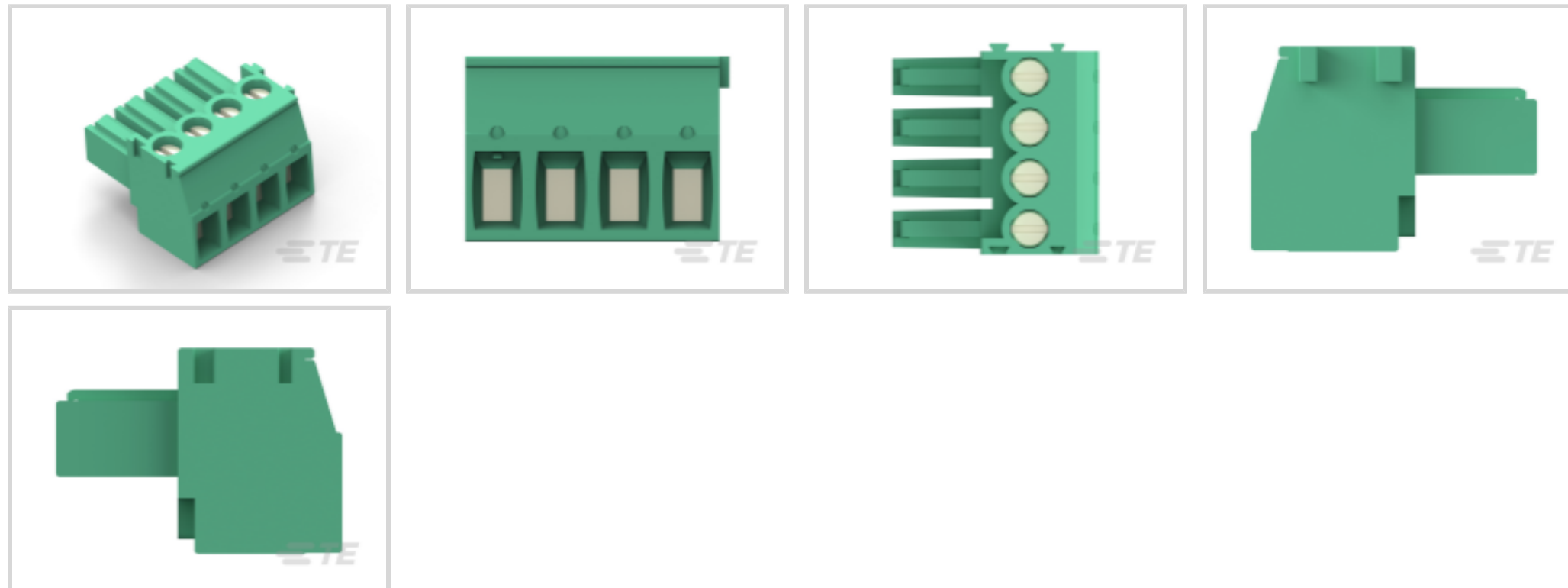
TE Part # 1986371-2

TE Internal #: 1986371-2

[View on TE.com >](#)



Connectors > Terminal Blocks & Strips > PCB Terminal Blocks



Connector Style: **Plug**

Connector System: **Wire-to-Board**

Number of Positions: **2**

Centerline (Pitch): **3.5 mm [.138 in]**

Number of Rows: **1**

Features

Product Type Features

Wire Protection	With
Block Type	Stacking Plug
Connector Style	Plug
Connector System	Wire-to-Board
Connector & Contact Terminates To	Wire & Cable

Configuration Features

Stacking Configuration	Side Stackable
Number of Positions	2
Number of Rows	1
Wire Entry Angle	Side

Electrical Characteristics

Current Rating (Max)	11 A
Voltage	300 VAC

Body Features

Interlock	Without
-----------	---------

Contact Features

Contact Mating Area Plating Material	Tin
Contact Base Material	Phosphor Bronze
Contact Current Rating (Max)	11 A

Mechanical Attachment

Screwless Terminal Block	No
Mounting Angle	Vertical
Screw Size	M2
Screw Plating Material	Nickel
Screw Material	Brass
Screw Flange	Without

Housing Features

Housing Color	Green
Housing Material	PA 66
Centerline (Pitch)	3.5 mm[.138 in]

Dimensions

Wire Size	.05 – 2 mm ²
-----------	-------------------------

Usage Conditions

Operating Temperature Range	-40 – 105 °C[-40 – 221 °F]
-----------------------------	----------------------------

Operation/Application

Circuit Application	Power & Signal
---------------------	----------------

Packaging Features

Packaging Quantity	300
--------------------	-----

Product Compliance

[For compliance documentation, visit the product page on TE.com>](#)

EU RoHS Directive 2011/65/EU	Compliant with Exemptions
EU ELV Directive 2000/53/EC	Compliant with Exemptions
China RoHS 2 Directive MIIT Order No 32, 2016	Restricted Materials Above Threshold
EU REACH Regulation (EC) No. 1907/2006	Current ECHA Candidate List: JAN 2019 (197) Candidate List Declared Against: JAN 2019 (197)

Halogen Content	Low Halogen - Br, Cl, F, I < 900 ppm per homogenous material. Also BFR/CFR/PVC Free
Solder Process Capability	Not applicable for solder process capability

Product Compliance Disclaimer

This information is provided based on reasonable inquiry of our suppliers and represents our current actual knowledge based on the information they provided. This information is subject to change. The part numbers that TE has identified as EU RoHS compliant have a maximum concentration of 0.1% by weight in homogenous materials for lead, hexavalent chromium, mercury, PBB, PBDE, DBP, BBP, DEHP, DIBP, and 0.01% for cadmium, or qualify for an exemption to these limits as defined in the Annexes of Directive 2011/65/EU (RoHS2). Finished electrical and electronic equipment products will be CE marked as required by Directive 2011/65/EU. Components may not be CE marked. Additionally, the part numbers that TE has identified as EU ELV compliant have a maximum concentration of 0.1% by weight in homogenous materials for lead, hexavalent chromium, and mercury, and 0.01% for cadmium, or qualify for an exemption to these limits as defined in the Annexes of Directive 2000/53/EC (ELV). Regarding the REACH Regulations, TE's information on SVHC in articles for this part number is still based on the European Chemical Agency (ECHA) 'Guidance on requirements for substances in articles' (Version: 2, April 2011), applying the 0.1% weight on weight concentration threshold at the finished product level. TE is aware of the European Court of Justice ruling of September 10th, 2015 also known as O5A (Once An Article Always An Article) stating that, in case of 'complex object', the threshold for a SVHC must be applied to both the product as a whole and simultaneously to each of the articles forming part of its composition. TE has evaluated this ruling based on the new ECHA "Guidance on requirements for substances in articles" (June 2017, version 4.0) and will be updating its statements accordingly.

Customers Also Bought



TE Part #6-1879214-4
CPF 0402 1K65 0.1%
25PPM 1K RL



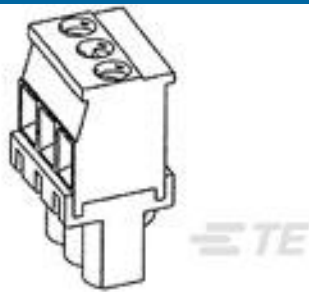
TE Part #6-2176231-8
3522 6K2 1% 3W



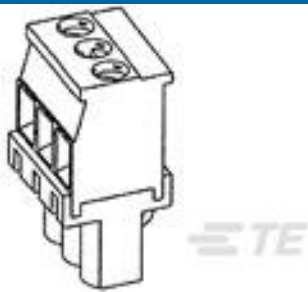
TE Part #7-2176088-3
RP 1J 0.166W 5K11 0.1%
25PPM 1K RL



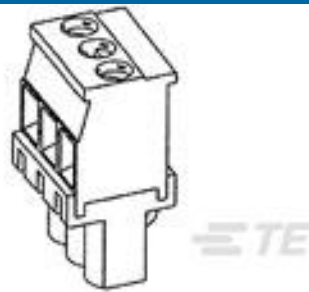
TE Part #1825139-1
A203KZQ04



TE Part #1986370-2
Str Plug, 3.5mm, Green,
RH, 2



TE Part #1986371-3
Str Plug, 3.5mm, Green,
LH, 3



TE Part #1986371-4
Str Plug, 3.5mm, Green,
LH, 4

Documents

Product Drawings

Str Plug, 3.5mm, Green, LH, 2

English

CAD Files

Customer View Model

ENG_CVM_CVM_1986371-2_A.2d_dxf.zip



English

[3D PDF](#)

3D

Customer View Model

[ENG_CVM_CVM_1986371-2_A.3d_igs.zip](#)

English

Customer View Model

[ENG_CVM_CVM_1986371-2_A.3d_stp.zip](#)

English

Datasheets & Catalog Pages

[LEFT_AND_RIGHT_HAND_PLUGS_3.5MM_AND_3.81MM_PITCH](#)

English

[1-1773458-1_EURO_STYLE_TERMINAL_BLOCKS_QRG](#)

English

Product Environmental Compliance

[REACH Substance Communication Document](#)

English