



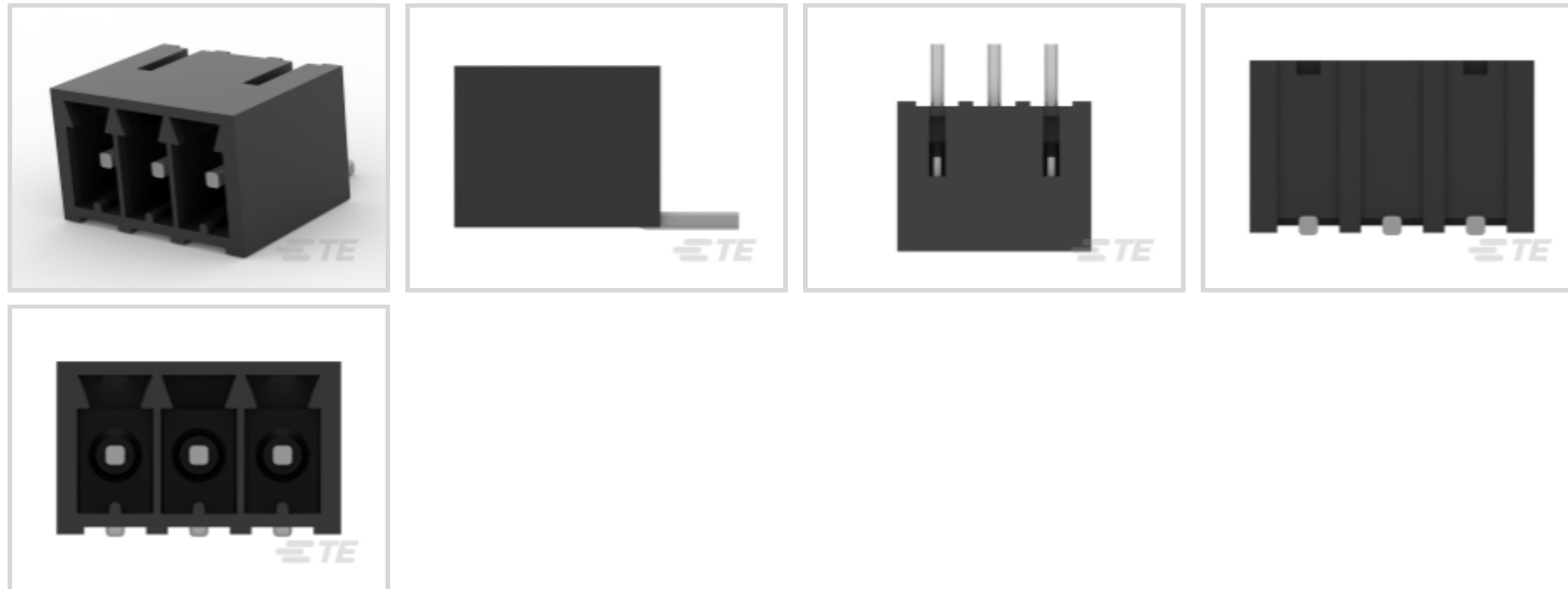
[Buchanan WireMate](#) | [Buchanan WireMate TB Series](#)

TE Internal #: 2213932-3

Header, 3 Position, 3.5 mm [.138 in] Centerline, 1 Row, Operating Voltage 300 VAC, Buchanan WireMate TB Series, PCB Terminal Blocks

[View on TE.com >](#)

Connectors > Terminal Blocks & Strips > PCB Terminal Blocks > Surface Mount TB Headers



Terminal Block Connector Type: **Header**

Number of Positions: **3**

Centerline (Pitch): **3.5 mm [.138 in]**

Number of Rows: **1**

Operating Voltage: **300 VAC**

[All Surface Mount TB Headers \(33\)](#)

Features

Product Type Features

Header Type	Fully Shrouded
Terminal Block Connector Type	Header
Connector & Contact Terminates To	Printed Circuit Board

Configuration Features

Stacking Configuration	Side Stackable
Number of Positions	3
Number of Rows	1

Electrical Characteristics

Operating Voltage	300 VAC
-------------------	---------

Body Features

Primary Product Color	Black
Product Orientation	Right Angle



Contact Features

Contact Base Material	Copper Alloy
Contact Current Rating (Max)	8 A

Termination Features

Termination Post & Tail Length	3.5 mm [.138 in]
Termination Method to PCB	Surface Mount

Mechanical Attachment

Connector Mounting Type	Board Mount
-------------------------	-------------

Housing Features

Housing Material	Thermoplastic
Centerline (Pitch)	3.5 mm [.138 in]

Operation/Application

Circuit Application	Power
---------------------	-------

Product Compliance

[For compliance documentation, visit the product page on TE.com>](#)

EU RoHS Directive 2011/65/EU	Compliant with Exemptions
EU ELV Directive 2000/53/EC	Compliant with Exemptions
China RoHS 2 Directive MIIT Order No 32, 2016	Restricted Materials Above Threshold
EU REACH Regulation (EC) No. 1907/2006	Current ECHA Candidate List: JUNE 2024 (241) Candidate List Declared Against: JUNE 2024 (241) Does not contain REACH SVHC
Halogen Content	Low Halogen - Br, Cl, F, I < 900 ppm per homogenous material. Also BFR/CFR/PVC Free
Solder Process Capability	Not reviewed for solder process capability

Product Compliance Disclaimer

This information is provided based on reasonable inquiry of our suppliers and represents our current actual knowledge based on the information they provided. This information is subject to change. The part numbers that TE has identified as EU RoHS compliant have a maximum concentration of 0.1% by weight in homogenous materials for lead, hexavalent chromium, mercury, PBB, PBDE, DBP, BBP, DEHP, DIBP, and 0.01% for cadmium, or qualify for an exemption to these limits as defined in the Annexes of Directive 2011/65/EU (RoHS2). Finished electrical and electronic equipment products will be CE marked as required by Directive 2011/65/EU. Components may not be CE marked. Additionally, the part numbers that TE has identified as EU ELV compliant have a maximum concentration of 0.1% by weight in homogenous materials for lead, hexavalent chromium, and mercury, and 0.01% for cadmium, or qualify for an exemption to these limits as defined in the Annexes of Directive 2000/53/EC (ELV). Regarding the REACH Regulation, the information TE provides on SVHC in articles for this part number is based on the latest European Chemicals Agency (ECHA) 'Guidance on

requirements for substances in articles' posted at this URL: <https://echa.europa.eu/guidance-documents/guidance-on-reach>

Compatible Parts



TE Part # 2213936-3
SMT TB SCREW RECEPTACLE, 3.5 MM, 3 POS



TE Part # 2834334-2
4.0PITCH ITB CONN_2P_W CAP_NATURAL

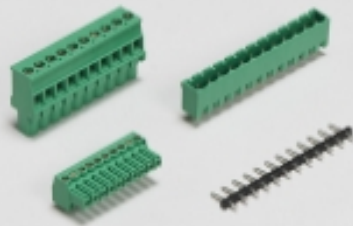


TE Part # 2834167-3
RELEASABLE SLIM CONTACT



TE Part # 2834385-2
RELEASE POKE-IN CONNECTOR_2P_NATURAL

Also in the Series | Buchanan WireMate TB Series



PCB Terminal Blocks(77)

Customers Also Bought




TE Part #2213933-3
SMT TB R/A HEADER, RET, 3.5MM, 3 POS



TE Part #5104338-8
A/L LOW PRO HDR 40P VERT HT



TE Part #2-1761603-6
IDC LOW PRO HDR 16P VERT BLUE



TE Part #1-104480-2
SHORT POINT CONT 15 DPLX STMPD LF



TE Part #104257-8
09 MTE RCPT HSG SR LATCH .100



TE Part #1658623-9
40 NOVO MIL 30DP, LEAD FREE



TE Part #1622826-2
CRG0402 5% 100K



TE Part #1-2176341-5
CRGCQ 0805 150R 1%

Documents

Product Drawings

SMT TB R/A HEADER, 3.5MM, 3 POS



English

CAD Files

3D PDF

3D

Customer View Model

[ENG_CVM_CVM_2213932-3_A.2d_dxf.zip](#)

English

Customer View Model

[ENG_CVM_CVM_2213932-3_A.3d_igs.zip](#)

English

Customer View Model

[ENG_CVM_CVM_2213932-3_A.3d_stp.zip](#)

English

By downloading the CAD file I accept and agree to the [Terms and Conditions](#) of use.

Datasheets & Catalog Pages

Buchanan WireMate SMT

English

[BUCHANAN WireMate Connectors Brochure](#)

[BUCHANAN WireMate Connectors Brochure](#)

English