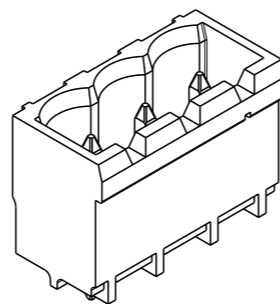
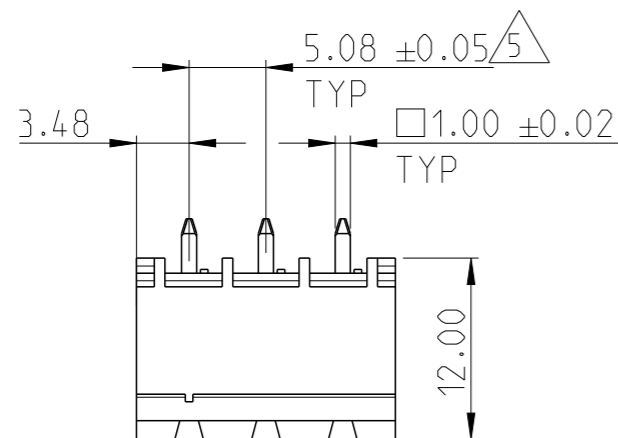
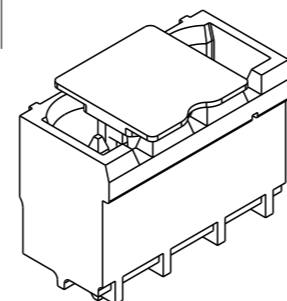
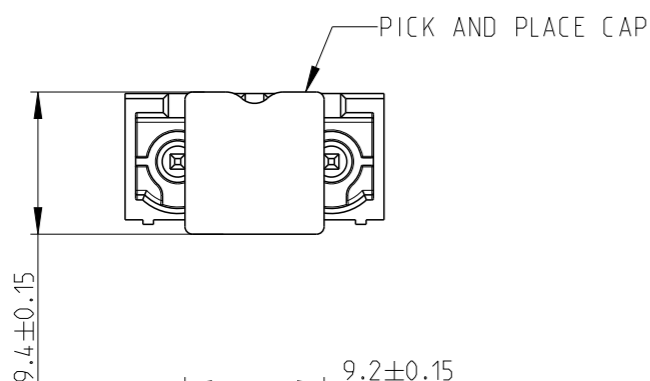
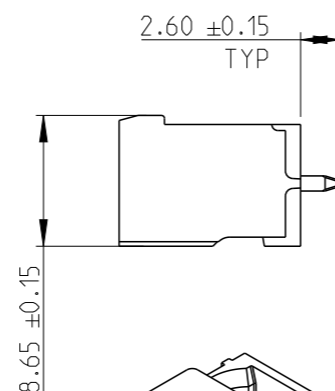
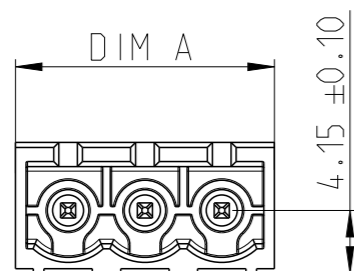


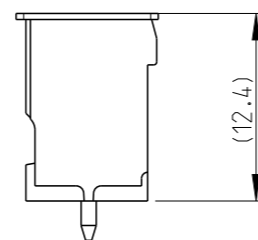
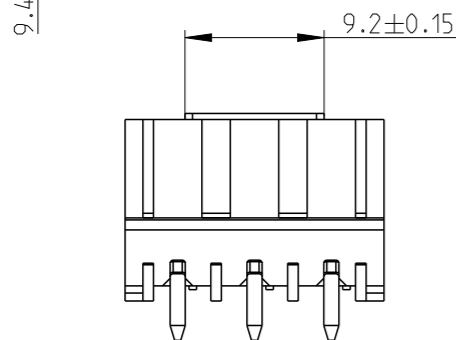
P	LTR	DESCRIPTION	DATE	DWN	APVD
	A1	CURRENT RATING CORRECTED FROM 11A TO 15 A	27JAN2020	RK	PS
	A2	NEW PART NUMBER 5-2342084-3 IS ADDED	17JUN2025	NMP	PS



2342084-3 AS SHOWN

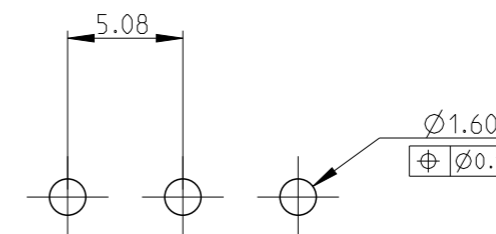


5-2342084-3 AS SHOWN



NOTES:

- MATERIAL AND FINISH:
HOUSING : HIGH TEMPERATURE POLYAMIDE, UL94V-0
COLOR BLACK.
TERMINAL : COPPER ALLOY, TIN PLATED.
- MECHANICAL
MIN. PC BOARD HOLES DIAMETER : 1.6 mm
MAX. PC BOARD THICKNESS : 2.4 mm
- ELECTRICAL
MAX. VOLTAGE : 300 V
MAX CURRENT : 15 A
CONTACT RESISTANCE : <15 m Ω
INSULATION RESISTANCE : >1000 M Ω (500V DC)
- OPERATING TEMPERATURE RANGE: -40°C TO +105°C
- NOT CUMULATIVE TOLERANCE.
- PARTS ARE PACKED IN BOX.
- PARTS ARE PACKED IN TAPE AND REEL



RECOMMENDED PCB LAYOUT

TAPE WIDTH	DIM A	NO. OF POS	PART NUMBER
32.0	17.12	3	5-2342084-3
-	128.88	25	2-2342084-5
-	123.80	24	2-2342084-4
-	118.72	23	2-2342084-3
-	113.64	22	2-2342084-2
-	108.56	21	2-2342084-1
-	103.48	20	2-2342084-0
-	98.40	19	1-2342084-9
-	93.32	18	1-2342084-8
-	88.24	17	1-2342084-7
-	83.16	16	1-2342084-6
-	78.08	15	1-2342084-5
-	73.00	14	1-2342084-4
-	67.92	13	1-2342084-3
-	62.84	12	1-2342084-2
-	57.76	11	1-2342084-1
-	52.68	10	1-2342084-0
-	47.60	9	2342084-9
-	42.52	8	2342084-8
-	37.44	7	2342084-7
-	32.36	6	2342084-6
-	27.28	5	2342084-5
-	22.20	4	2342084-4
-	17.12	3	2342084-3
-	12.04	2	2342084-2

THIS DRAWING IS A CONTROLLED DOCUMENT.

DIMENSIONS: mm	TOLERANCES UNLESS OTHERWISE SPECIFIED:
	0 PLC ± 1 PLC ±0.3 2 PLC ±0.25 3 PLC ± 4 PLC ± ANGLES ±2°
MATERIAL SEE NOTES	FINISH -

DWN RAGHAVENDRA K 17DEC 2018	NAME HEADER STRAIGHT, HIGH TEMPERATURE, 5.08MM PITCH, TAIL LENGTH 2.6mm -
CHK KARTHIK JK 19DEC 2018	
APVD PRASHANTH S 19DEC 2018	
PRODUCT SPEC 108-161088	
APPLICATION SPEC 114-20079	SIZE A3
WEIGHT -	CAGE CODE 00779
	DRAWING NO C-2342084
	RESTRICTED TO -

