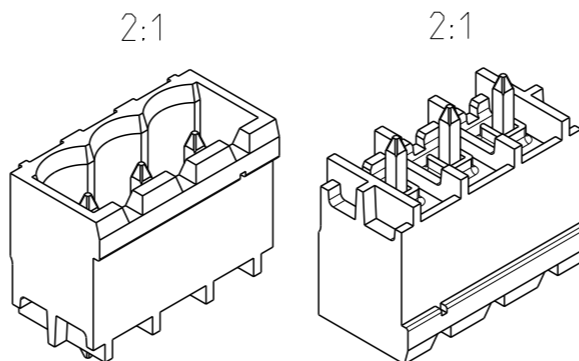
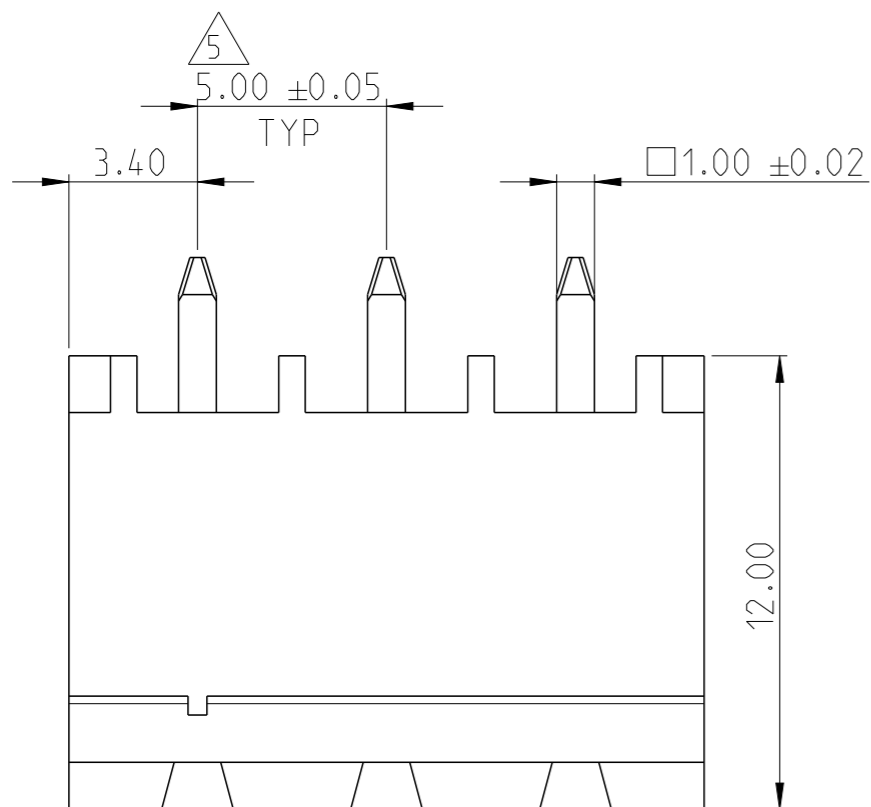


REVISIONS

P	LTR	DESCRIPTION	DATE	DWN	APVD
	A	PARTS RLEASD FOR PRODUCTION	10JAN2019	RK	PS



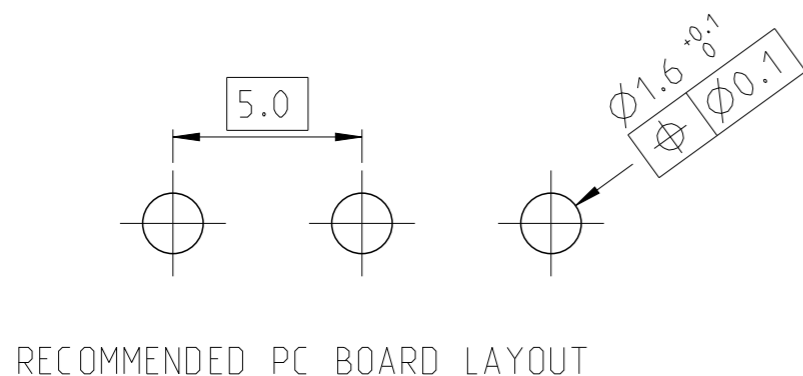
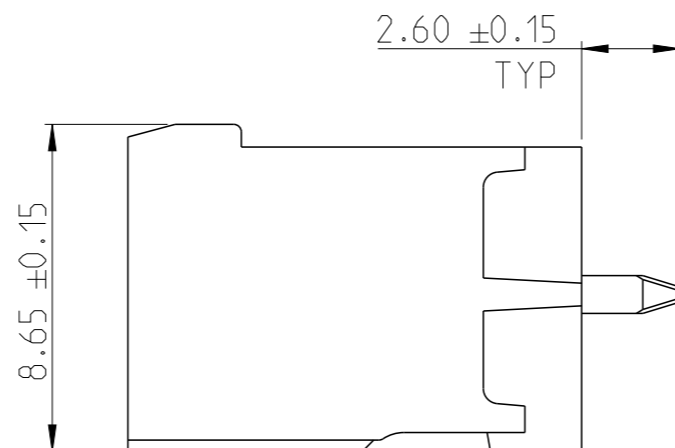
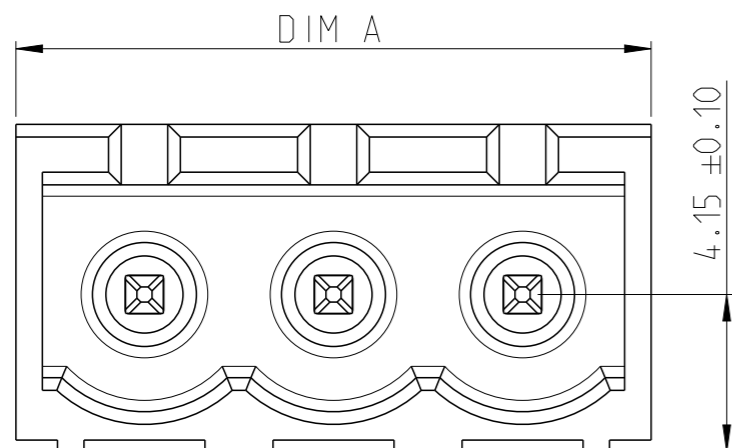
NOTES:

- MATERIAL AND FINISH:
HOUSING : HIGH TEMPERATURE POLYAMIDE, UL94V-0
COLOR BLACK.
TERMINAL : COPPER ALLOY, TIN PLATED.
- MECHANICAL
PLUG MAX. INSERTION FORCE PER POLE : 3.0 N
PLUG MIN. WITHDRAWAL FORCE PER POLE : 1.5 N
MIN. PC BOARD HOLES DIAMETER : 1.6 mm
MAX. PC BOARD THICKNESS : 2.4 mm
- ELECTRICAL
MAX. VOLTAGE : 300 V
MAX CURRENT : 11 A
CONTACT RESISTANCE : <15 m Ohm
INSULATION RESISTANCE : >1000 M Ohm (500V DC)
- OPERATING TEMPERATURE RANGE: -40°C TO +105°C

5 NOT CUMULATIVE TOLERANCE.

6. PARTS ARE PACKED IN BOX.

101.8	20	2-2342082-0
96.8	19	1-2342082-9
91.8	18	1-2342082-8
86.8	17	1-2342082-7
81.8	16	1-2342082-6
76.8	15	1-2342082-5
71.8	14	1-2342082-4
66.8	13	1-2342082-3
61.8	12	1-2342082-2
56.8	11	1-2342082-1
51.8	10	1-2342082-0
46.8	9	2342082-9
41.8	8	2342082-8
36.8	7	2342082-7
31.8	6	2342082-6
26.8	5	2342082-5
21.8	4	2342082-4
16.8	3	2342082-3
11.8	2	2342082-2
DIM A	NO. OF POS	PART NUMBER



THIS DRAWING IS A CONTROLLED DOCUMENT.		DWN 17DEC 2018 RAGHAVENDRA.K		
DIMENSIONS: mm		CHK 19DEC 2018 KARTHIK.JK		
TOLERANCES UNLESS OTHERWISE SPECIFIED:		APVD 19DEC 2018 PRASHANTH.S	NAME HEADER STRAIGHT, HIGH TEMPERATURE, 5.0MM PITCH, TAIL LENGTH 2.6mm	
0 PLC ±0.3		PRODUCT SPEC	-	
1 PLC ±0.25		APPLICATION SPEC	-	
2 PLC ±		WEIGHT	-	
3 PLC ±		CUSTOMER DRAWING	SIZE A3	CAGE CODE 00779
4 PLC ±		FINISH	DRAWING NO C-2342082	RESTRICTED TO
ANGLES ±2°		MATERIAL SEE NOTES	SCALE 5:1	SHEET 1 OF 1
-		SEE NOTES	REV A	