



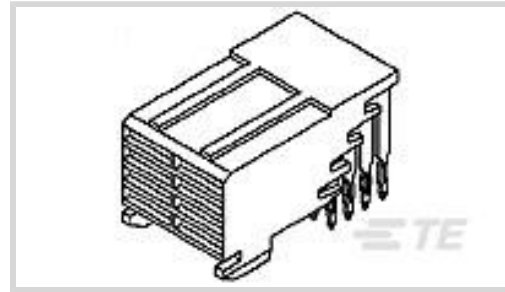
Z-PACK | Z-PACK Future Bus+

TE Part # 5536607-1

TE Internal #: 5536607-1

[View on TE.com >](#)

Connectors > Power Connectors > Rectangular Power > Rectangular Power Connectors



Product Type: **Connector Assembly**

Housing Type: **Receptacle**

Connector System: **Board-to-Board**

Number of Positions: **8**

Centerline (Pitch): **2 mm [.079 in]**

Features

Product Type Features

Product Type	Connector Assembly
Housing Type	Receptacle
Connector System	Board-to-Board
Sealable	No
Connector & Contact Terminates To	Printed Circuit Board
Contact Type	Socket

Configuration Features

Number of Positions	8
Interface Type	Futurebus+
PCB Mount Orientation	Right Angle
Number of Power Positions	8
Number of Signal Positions	0
Number of Rows	4
Row-to-Row Spacing	2 mm[.079 in]
Board-to-Board Configuration	Right Angle

Electrical Characteristics

Operating Voltage	30 VDC
-------------------	--------

Contact Features

Contact Layout	Matrix
----------------	--------



Contact Base Material	Phosphor Bronze
Contact Current Rating (Max)	3 A, 5 A
Contact Retention	With
Contact Termination Area Plating Material	Tin
Contact Mating Area Plating Material	Gold
Contact Mating Area Plating Thickness	.76 μm [29.92 μin]
Contact Termination Area Plating Thickness	3.81 μm [149 μin]

Termination Features

Termination Post & Tail Length	2.73 mm[.107 in]
Termination Method to Printed Circuit Board	Through Hole - Press-Fit, Through Hole - Solder

Mechanical Attachment

PCB Mount Alignment Type	Boss
PCB Mount Retention	With
PCB Mount Retention Type	Solder Tail
Connector Mounting Type	Board Mount

Housing Features

Centerline (Pitch)	2 mm[.079 in]
UL Flammability Rating	UL 94V-0
Housing Color	Natural
Housing Material	LCP (Liquid Crystal Polymer)

Dimensions

Height	9.07 mm[.357 in]
--------	------------------

Usage Conditions

Operating Temperature Range	-55 – 125 $^{\circ}\text{C}$ [-67 – 257 $^{\circ}\text{F}$]
-----------------------------	--

Operation/Application

Circuit Application	Power
---------------------	-------

Industry Standards

Glow Wire Rating	Standard Part - Not Glow Wire
------------------	-------------------------------

Packaging Features

Packaging Method	Tube
Packaging Quantity	48



Other

For Use With	Plug
--------------	------

Product Compliance

[For compliance documentation, visit the product page on TE.com>](#)

EU RoHS Directive 2011/65/EU	Compliant
EU ELV Directive 2000/53/EC	Compliant
China RoHS 2 Directive MIIT Order No 32, 2016	No Restricted Materials Above Threshold
EU REACH Regulation (EC) No. 1907/2006	Current ECHA Candidate List: JAN 2019 (197) Candidate List Declared Against: JAN 2019 (197)
Halogen Content	Low Halogen - Br, Cl, F, I < 900 ppm per homogenous material. Also BFR/CFR/PVC Free
Solder Process Capability	Pin-in-Paste capable to 260°C

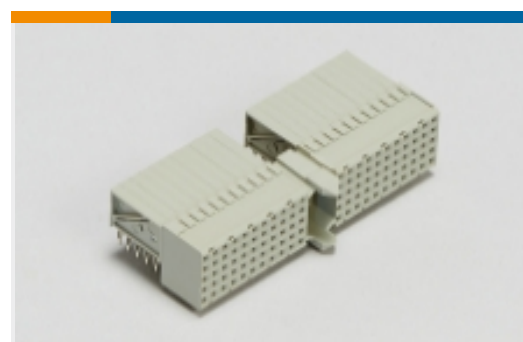
Product Compliance Disclaimer

This information is provided based on reasonable inquiry of our suppliers and represents our current actual knowledge based on the information they provided. This information is subject to change. The part numbers that TE has identified as EU RoHS compliant have a maximum concentration of 0.1% by weight in homogenous materials for lead, hexavalent chromium, mercury, PBB, PBDE, DBP, BBP, DEHP, DIBP, and 0.01% for cadmium, or qualify for an exemption to these limits as defined in the Annexes of Directive 2011/65/EU (RoHS2). Finished electrical and electronic equipment products will be CE marked as required by Directive 2011/65/EU. Components may not be CE marked. Additionally, the part numbers that TE has identified as EU ELV compliant have a maximum concentration of 0.1% by weight in homogenous materials for lead, hexavalent chromium, and mercury, and 0.01% for cadmium, or qualify for an exemption to these limits as defined in the Annexes of Directive 2000/53/EC (ELV). Regarding the REACH Regulations, TE's information on SVHC in articles for this part number is still based on the European Chemical Agency (ECHA) 'Guidance on requirements for substances in articles' (Version: 2, April 2011), applying the 0.1% weight on weight concentration threshold at the finished product level. TE is aware of the European Court of Justice ruling of September 10th, 2015 also known as O5A (Once An Article Always An Article) stating that, in case of 'complex object', the threshold for a SVHC must be applied to both the product as a whole and simultaneously to each of the articles forming part of its composition. TE has evaluated this ruling based on the new ECHA "Guidance on requirements for substances in articles" (June 2017, version 4.0) and will be updating its statements accordingly.

Also in the Series | Z-PACK Future Bus+



Board-to-Board Headers & Receptacles(168)



Hard Metric Backplane Connectors(1)



PCB Connector Shrouds(9)

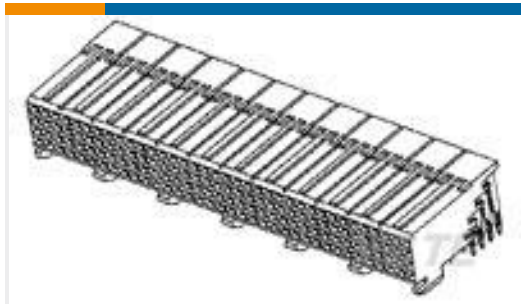


Rectangular Power Connectors(35)

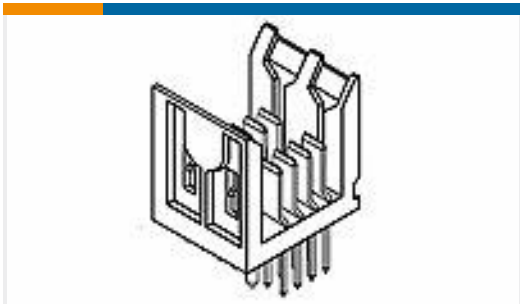
Customers Also Bought



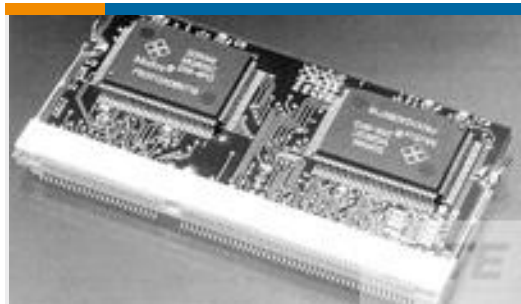
TE Part #2007254-1
SFP+ 1x1 Cage Assembly,
Light Pipe



TE Part #5536507-3
2MM FB,ASY,096,SIG,REC,
SL,2.73



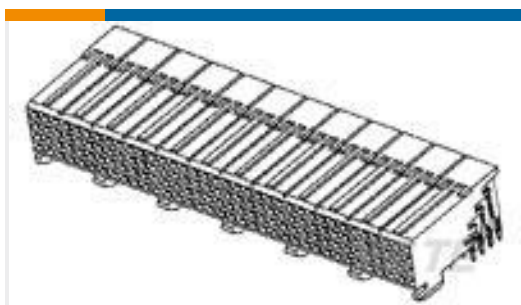
TE Part #5536600-1
2MMFB,ASY,008,PWR,
HDR,SL,4.25



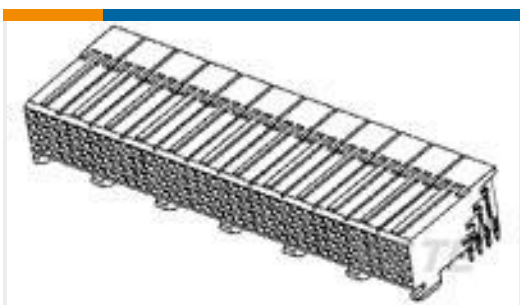
TE Part #390322-1
SKT,SODIMM,144P,
SDRAM3.3V,U.HI



TE Part #5414907-1
JACK,PCB,75 OHM,NC



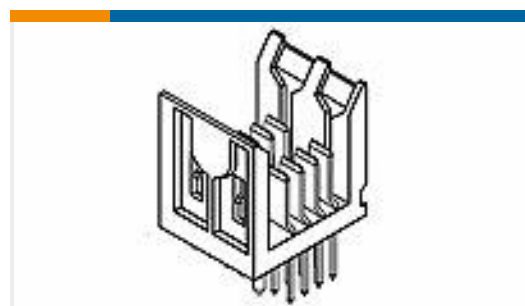
TE Part #5536507-2
2MM FB,ASY,048,SIG,REC,
SL,2.73



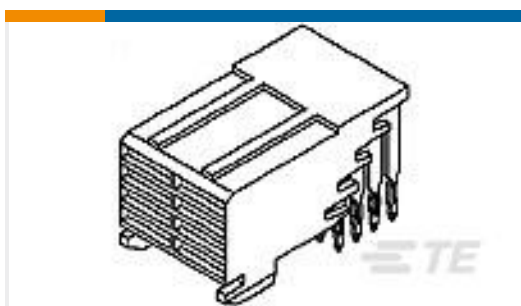
TE Part #5536507-1
2MM FB,ASY,24,SIG,REC,
SL,2.73



TE Part #6469028-1
HM-ZD 2PR RECP 40P



TE Part #5536603-1
2MM FB,ASY,008,PWR,
HDR,EN,4.25



TE Part #5536613-1
2MM FB,ASY,008,PWR,
REC,SL,3.53

Documents

Product Drawings

[2MM FB,ASY,008,PWR,REC,SL,2.73](#)

English

CAD Files

Customer View Model

[ENG_CVM_CVM_5536607-1_A.2d_dxf.zip](#)

English

3D PDF

3D

Customer View Model

[ENG_CVM_CVM_5536607-1_A.3d_igs.zip](#)

English

Customer View Model

[ENG_CVM_CVM_5536607-1_A.3d_stp.zip](#)

English



Datasheets & Catalog Pages

[POWER_CONNECTORS_CATALOG_SEC01_BOARD_TO_BOARD](#)

English

Product Specifications

[Application Specification](#)

English

Product Environmental Compliance

[TE Material Declaration](#)

English