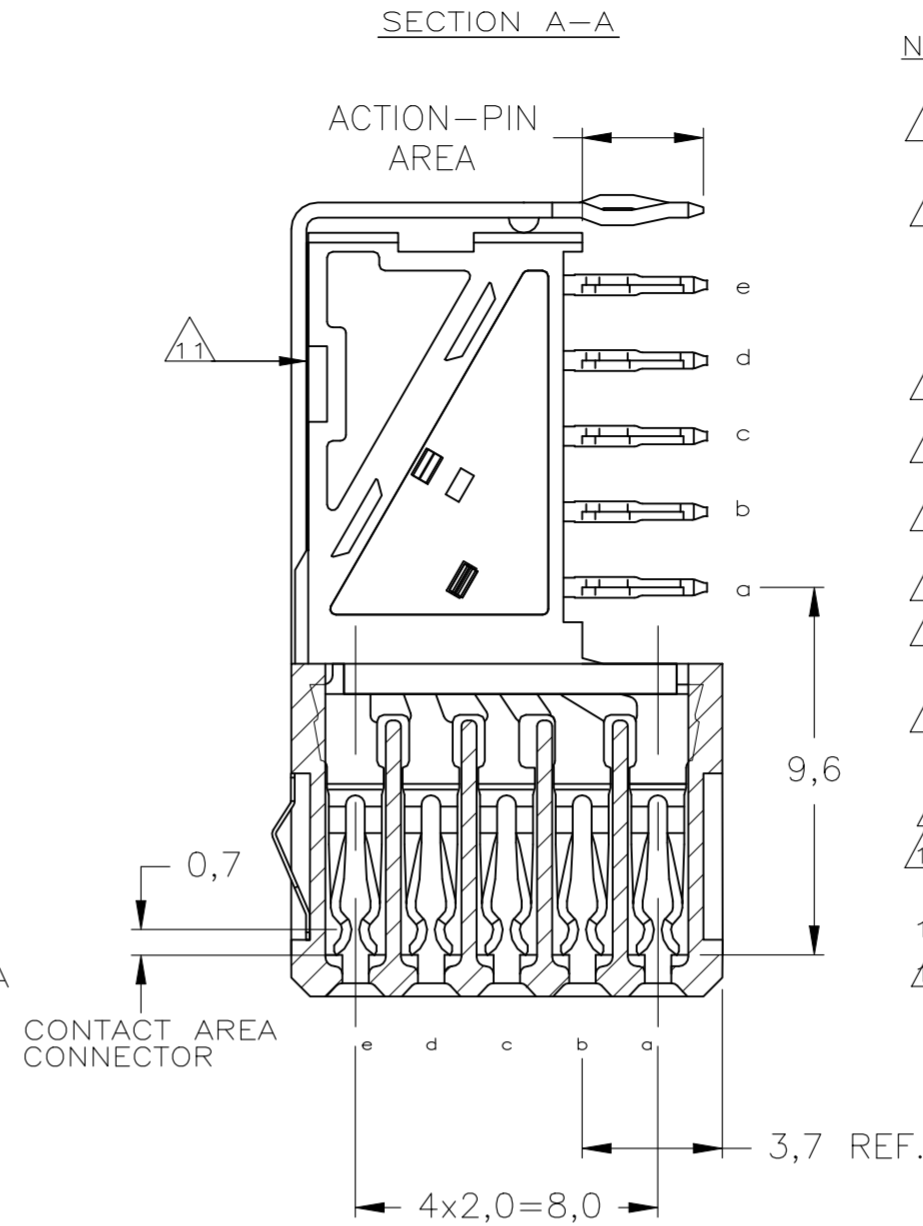
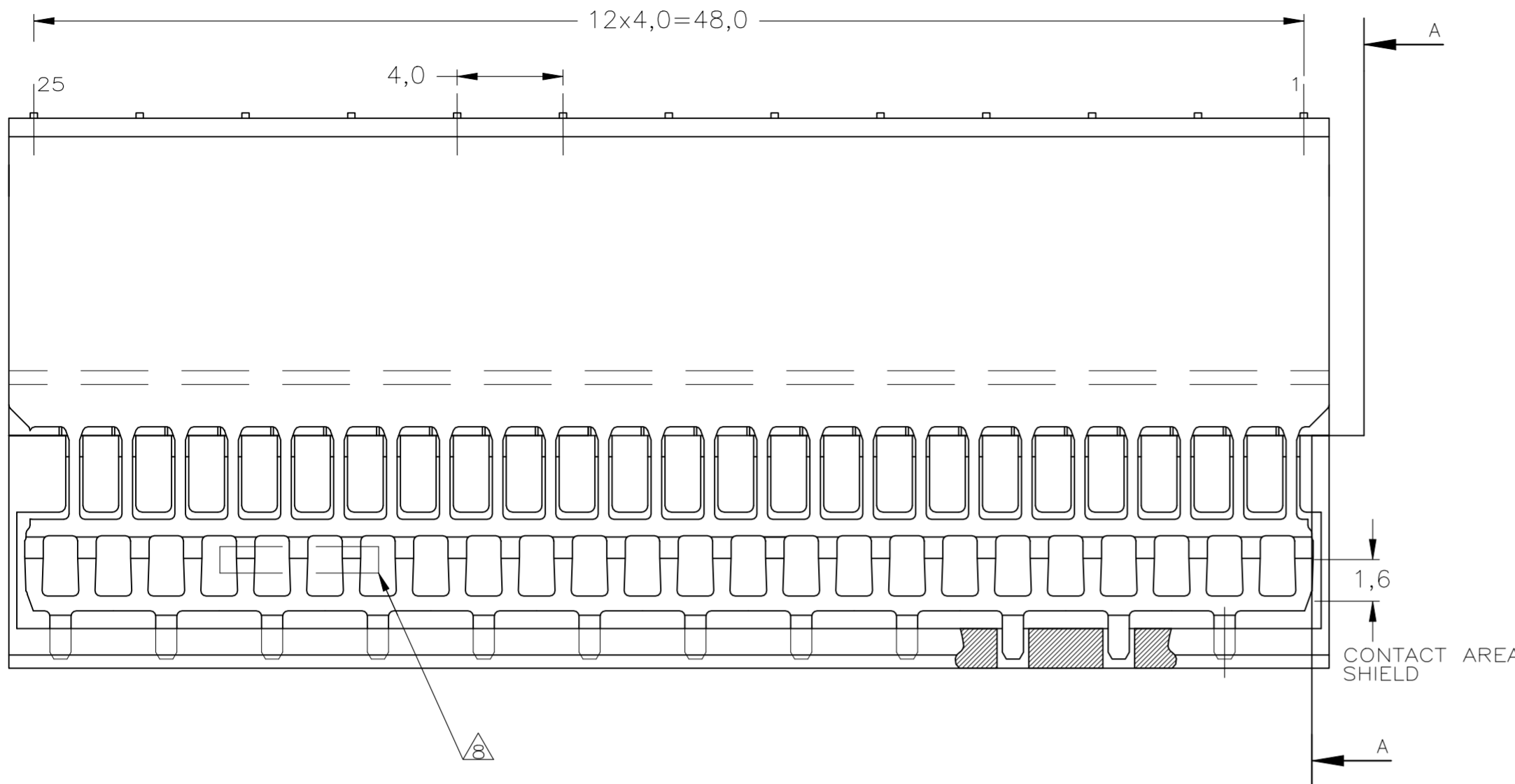
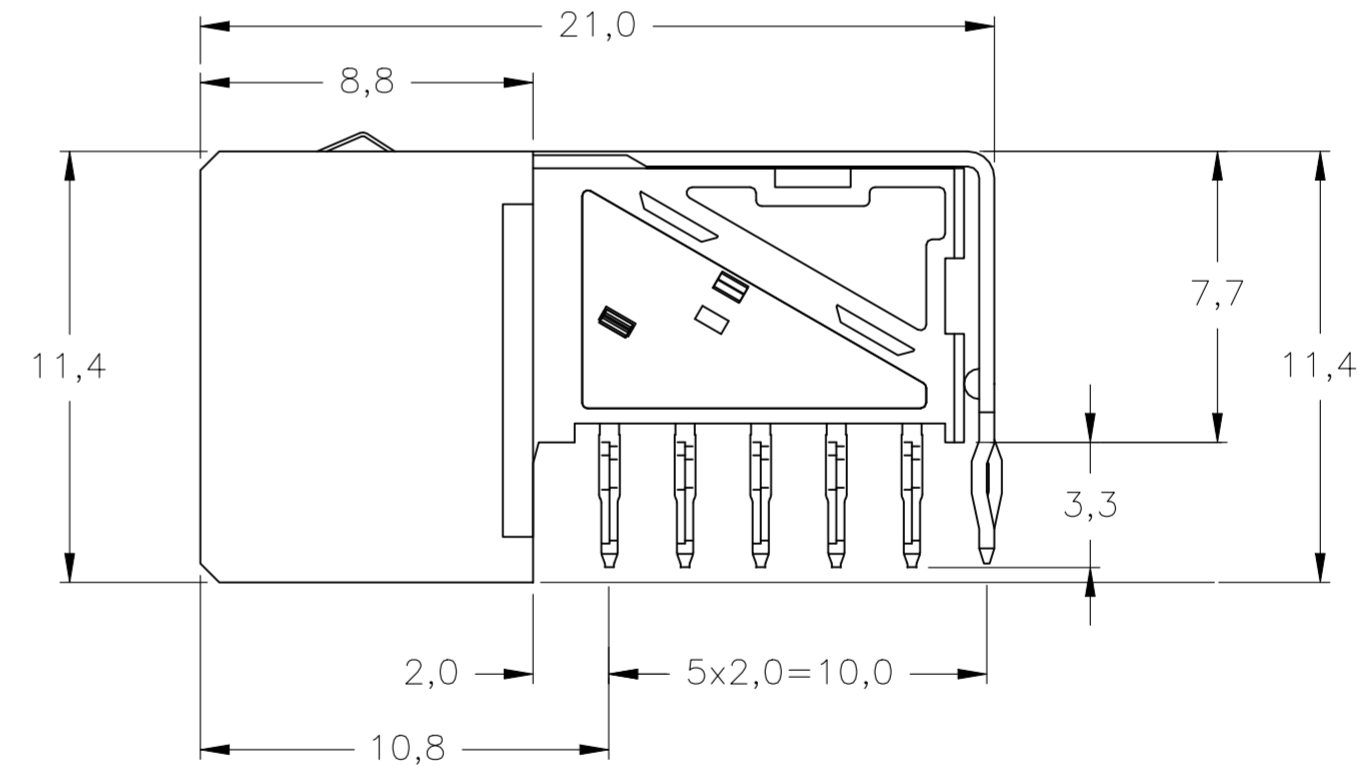
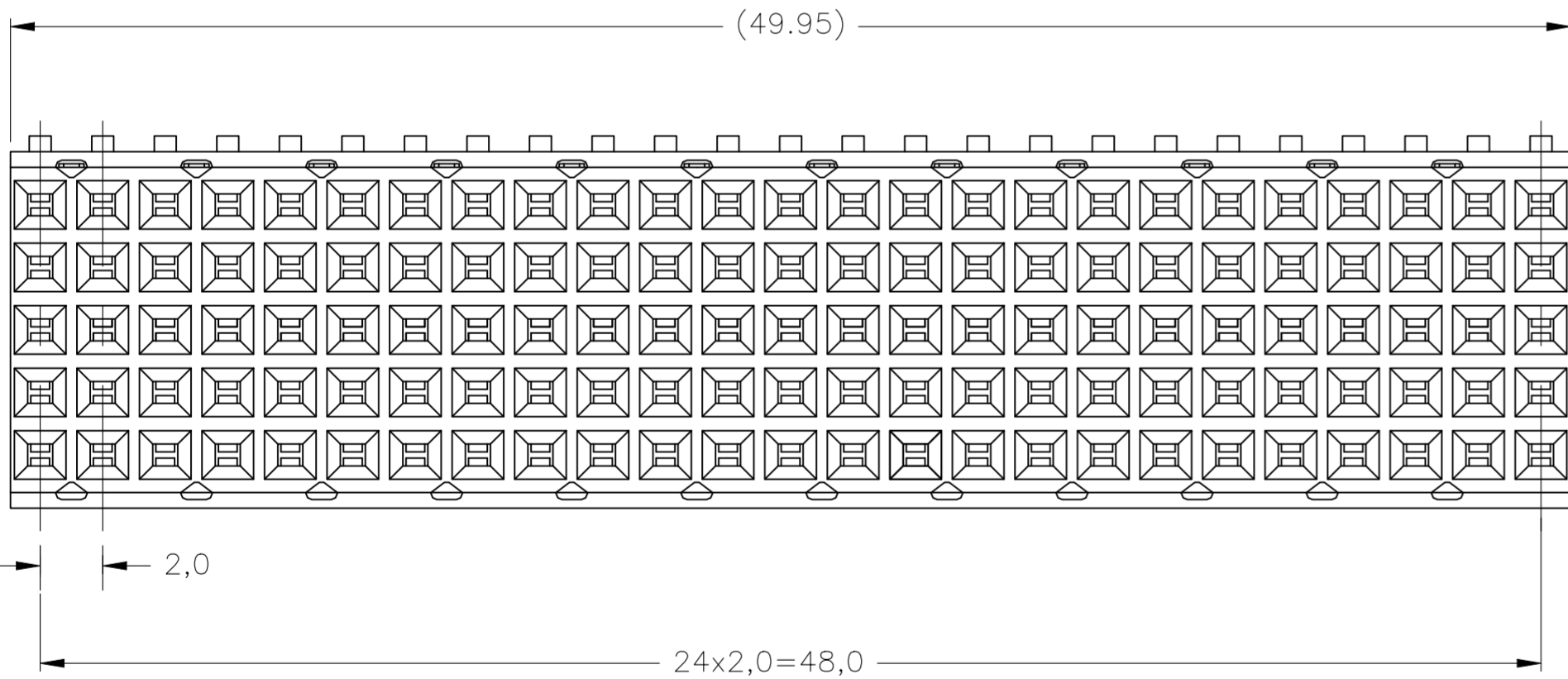


REVISIONS					
P	LTR	DESCRIPTION	DATE	DWN	APVD
G1		PER ECR-24-226002	21NOV2024	GC	JM

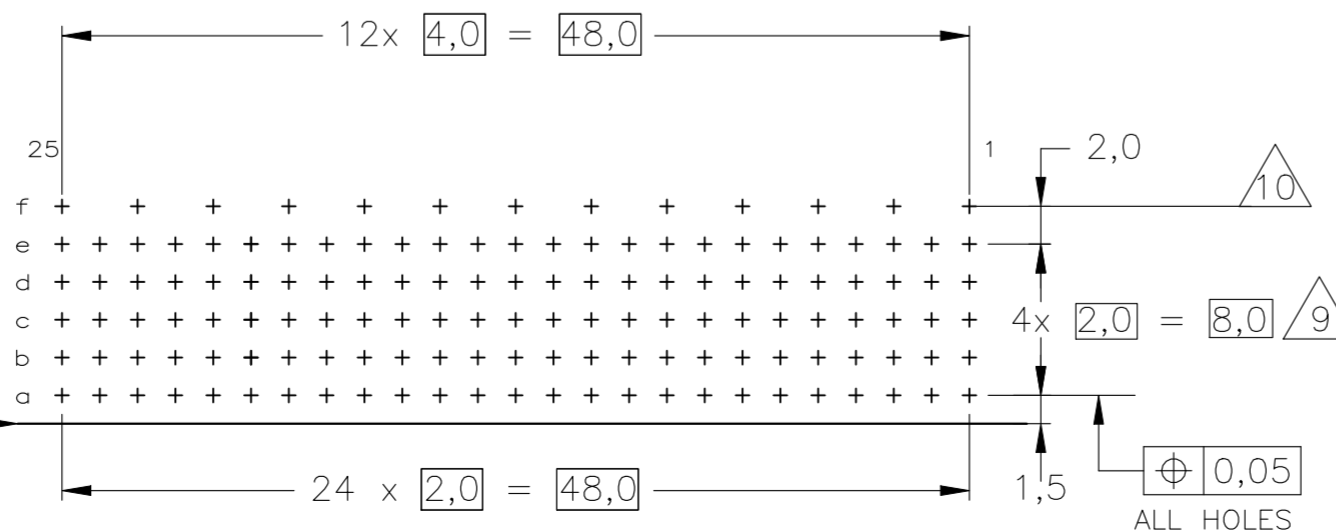


NOTES:

- 1 MATERIAL CONTACTS; PHOSPHORBRONZE
MATERIAL HOUSING; GLASSFILLED POLYESTER (GRAY)
- 2 GENERAL PLATING SPECIFICATION: UNDERPLATING (ENTIRE CONTACT): 1,27µm NICKEL MIN. AND ACTION PIN: 0,5µm TIN MIN. FOR PLATING OF MATING SURFACES SEE APPLICABLE SPECIFICATION REFERENCE FOR EACH DASH NUMBER.
- 3 CONFORMS TO ALL TESTING ACCORDING IEC 61076-4-101 PERFORMANCE LEVEL 2.
- 4 CONFORMS TO ALL TESTING ACCORDING IEC 61076-4-101 PERFORMANCE LEVEL 1.
- 5 CONNECTOR TESTED AND QUALIFIED AGAINST TELCORDIA GR-1217-CORE QUALITY LEVEL III, CENTRAL OFFICE APPLICATIONS.
- 6 CONNECTOR LUBRICATED WITH TELCORDIA APPROVED LUBRICANT.
- 8 ASSEMBLY PRINTED WITH P/N AND DATECODE THE MARKING CAN APPEAR ON THE FRONT SIDE OR BACK SIDE.
- 9 HOLE PATTERN FOR FEMALE CONNECTOR TYPE B
125 PLATED-THROUGH HOLES AT 2x2mm SQUARE GRID
- 10 ROW "r" 13 PLATED THROUGH HOLES FOR UPERSHIELD
- 11 SHIELD MOUNTED ON CONNECTOR WITH DOUBLE SIDED ADHESIVE TAPE OR ADHESIVE
- 12 BASIC P.N. LOWERSHIELD: 5338110
- 13 0.76µm MIN GOLD PLATING AT MATING SURFACE.



COMPONENT SIDE AS SHOWN
RECOMMENDED PCB-HOLE LAY-OUT
SCALE 2,5:1



P.C.B. HOLE DIM. ACTION PIN
FOR DETAILS SEE
APPLICATION SPECIFICATION

EDGE OF P.C.BOARD

	△△△△	△	3-5352069-0
	△△△△	△	5352069-9
OBSOLETE	△△△	△	5352069-4
	△△	△	5352069-1
	FINISH	MATERIAL	PARTNUMBER

THIS DRAWING IS A CONTROLLED DOCUMENT.

DWN	K.N.KIRAN	17AUG2004
CHK	B.MOOIJ	24SEP2004
APVD	B.MOOIJ	24SEP2004
PRODUCT SPEC	108-19082	
APPLICATION SPEC	114-19029	
WEIGHT	0.000000	
CUSTOMER DRAWING		

TE Connectivity

Z-PACK 2mm HM
TYPE B - 25 COLUMNS
PRE-SHIELDED RECEPTACLE

SIZE	A2	CAGE CODE	00779	DRAWING NO	C=5352069	RESTRICTED TO	-
SCALE	5:1	SHEET	1 of 1	REV	G1		