

Z-PACK/A RAMH.110P

✓ ACTIVE

Z-PACK | Z-PACK 2mm HM

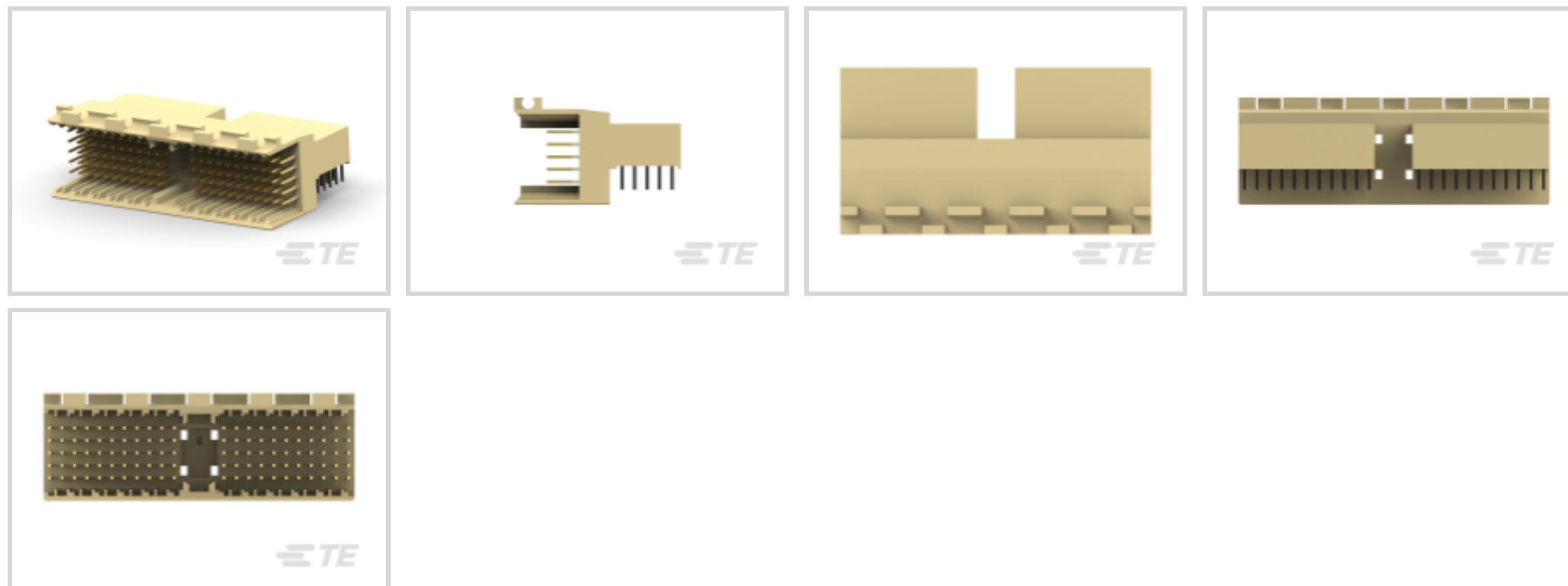
TE Part # 5106015-1

TE Internal #: 5106015-1

[View on TE.com >](#)



Connectors > PCB Connectors > Backplane Connectors > Hard Metric Connectors



Data Rate: ≤ 1 Gb/s

Number of Columns: 22

Number of Rows: 5

Architecture: Mezzanine

Connector System: Board-to-Board

Features

Product Type Features

Make First / Break Last	No
Connector System	Board-to-Board
Connector Type	Connector Assembly
Connector Style	Plug
Shielded	No
Sealable	No
Connector & Contact Terminates To	Printed Circuit Board

Configuration Features

Rows Loaded	A, B, C, D, E
Number of Columns	22
Number of Rows	5
Architecture	Mezzanine
Number of Positions	110
PCB Mount Orientation	Right Angle

Signal Characteristics

Crosstalk Version	Standard
-------------------	----------

Data Rate	≤1 Gb/s
-----------	---------

Contact Features

Feedthrough Post Length	3.7 mm
-------------------------	--------

Grounding Contact	Without
-------------------	---------

Contact Configuration	Signal
-----------------------	--------

Contact Base Material	Phosphor Bronze
-----------------------	-----------------

CompactPCI Designation	None
------------------------	------

Contact Mating Area Plating Material	Performance Based
--------------------------------------	-------------------

Contact Mating Area Plating Thickness	.76 μm
---------------------------------------	--------

Contact Current Rating (Max)	.7 A
------------------------------	------

Termination Features

Termination End Plating Material	Tin over Nickel
----------------------------------	-----------------

Interface Type	2mm HM
----------------	--------

Mechanical Attachment

Mating Alignment Type	Multi-Purpose Center
-----------------------	----------------------

Connector Mounting Type	Board Mount
-------------------------	-------------

Housing Features

Centerline (Pitch)	2 mm [.078 in]
--------------------	----------------

Housing Material	Polyester - GF
------------------	----------------

Housing Color	Gray
---------------	------

Dimensions

Module Length	50 mm
---------------	-------

Usage Conditions

Operating Temperature Range	-65 – 105 °C [-85 – 221 °F]
-----------------------------	-----------------------------

Operation/Application

Circuit Application	Power & Signal
---------------------	----------------

Industry Standards

UL Flammability Rating	UL 94V-0
------------------------	----------

AdvancedTCA Specified Product	No
-------------------------------	----

Packaging Features



Packaging Quantity	11
Packaging Method	Tube

Other

Comment	Connector conforms to all testing according to IEC 61076-4-101, Performance Level 2.
---------	--

Product Compliance

[For compliance documentation, visit the product page on TE.com>](#)

EU RoHS Directive 2011/65/EU	Compliant
EU ELV Directive 2000/53/EC	Compliant
China RoHS 2 Directive MIIT Order No 32, 2016	No Restricted Materials Above Threshold
EU REACH Regulation (EC) No. 1907/2006	Current ECHA Candidate List: JAN 2019 (197) Candidate List Declared Against: JAN 2019 (197)
Halogen Content	Not Low Halogen - contains Br or Cl > 900 ppm.
Solder Process Capability	Not applicable for solder process capability

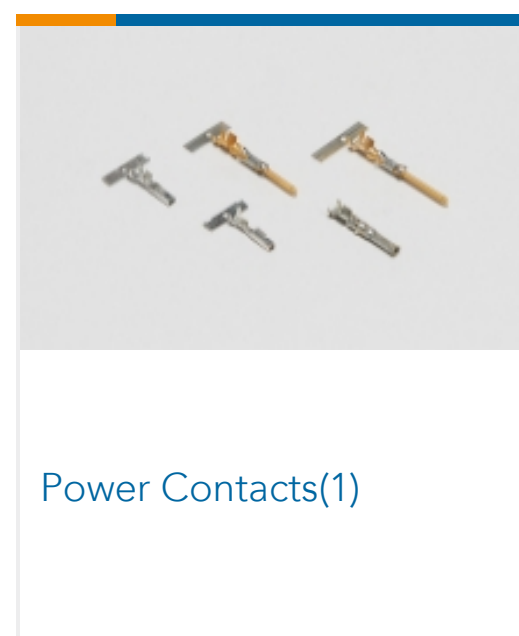
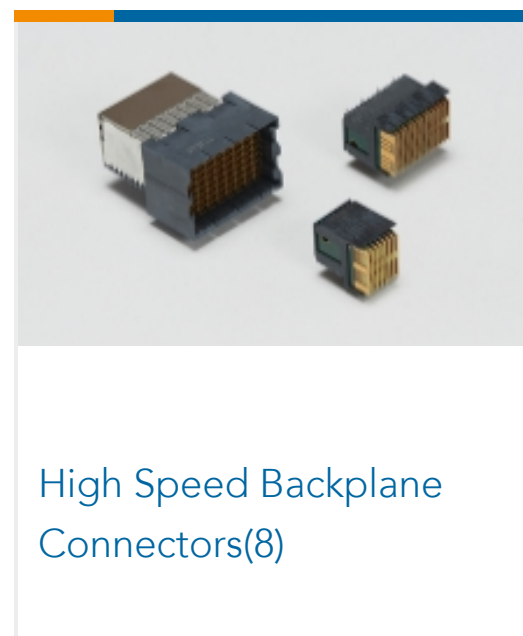
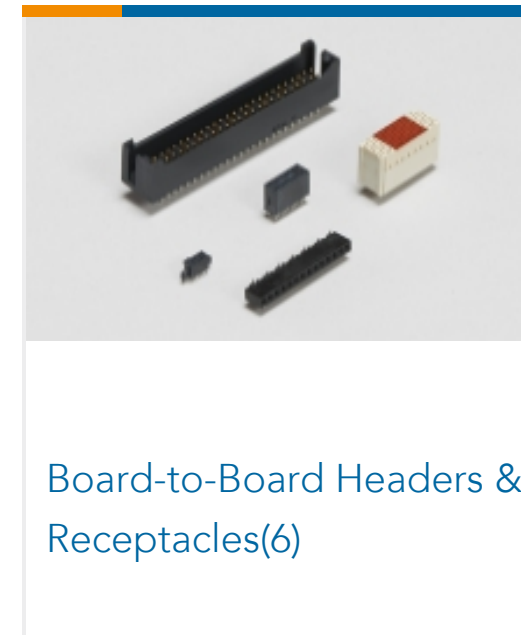
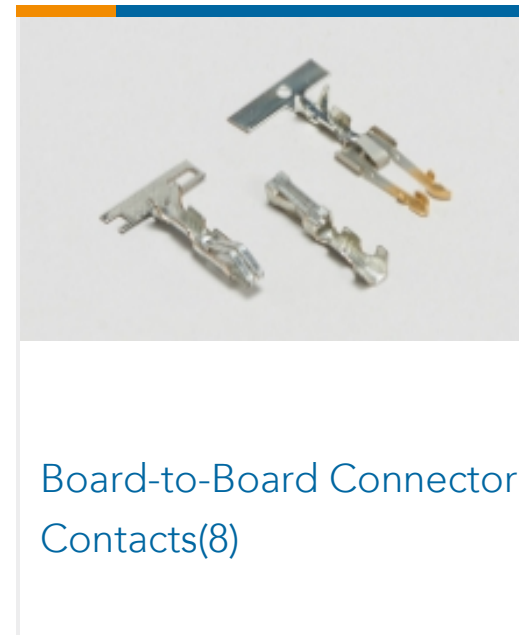
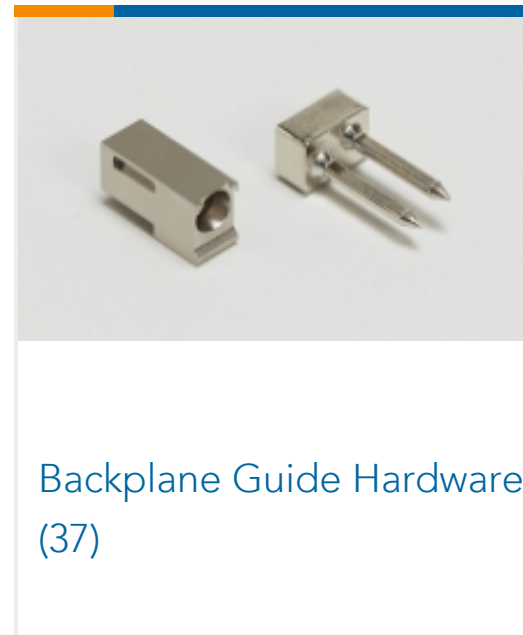
Product Compliance Disclaimer

This information is provided based on reasonable inquiry of our suppliers and represents our current actual knowledge based on the information they provided. This information is subject to change. The part numbers that TE has identified as EU RoHS compliant have a maximum concentration of 0.1% by weight in homogenous materials for lead, hexavalent chromium, mercury, PBB, PBDE, DBP, BBP, DEHP, DIBP, and 0.01% for cadmium, or qualify for an exemption to these limits as defined in the Annexes of Directive 2011/65/EU (RoHS2). Finished electrical and electronic equipment products will be CE marked as required by Directive 2011/65/EU. Components may not be CE marked. Additionally, the part numbers that TE has identified as EU ELV compliant have a maximum concentration of 0.1% by weight in homogenous materials for lead, hexavalent chromium, and mercury, and 0.01% for cadmium, or qualify for an exemption to these limits as defined in the Annexes of Directive 2000/53/EC (ELV). Regarding the REACH Regulations, TE's information on SVHC in articles for this part number is still based on the European Chemical Agency (ECHA) 'Guidance on requirements for substances in articles' (Version: 2, April 2011), applying the 0.1% weight on weight concentration threshold at the finished product level. TE is aware of the European Court of Justice ruling of September 10th, 2015 also known as O5A (Once An Article Always An Article) stating that, in case of 'complex object', the threshold for a SVHC must be applied to both the product as a whole and simultaneously to each of the articles forming part of its composition. TE has evaluated this ruling based on the new ECHA "Guidance on requirements for substances in articles" (June 2017, version 4.0) and will be updating its statements accordingly.

Compatible Parts



Also in the Series | Z-PACK 2mm HM



Customers Also Bought





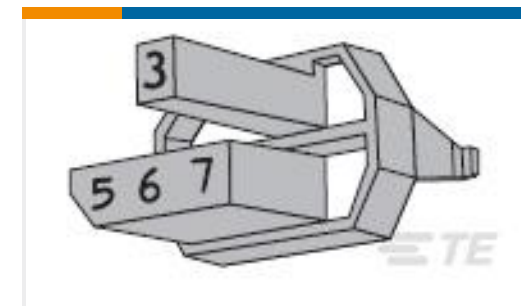
TE Part #5223957-1
UPM GUIDE MODULE



TE Part #5352068-1
Z-PACK/A RAF 110P



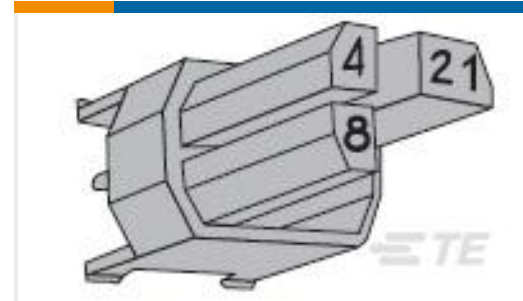
TE Part #2007198-1
SFP+ 1x1 Cage Assembly,
Press-



TE Part #5-100526-6
Z-PACK F.CODING KEY



TE Part #5100147-1
Z-PACK/A RAF 110P



TE Part #100525-9
Z-PACK M.CODING KEY

Documents

Product Drawings

[Z-PACK/A RAMH.110P](#)

English

CAD Files

[3D PDF](#)

3D

Customer View Model

[ENG_CVM_CVM_5106015-1_A.2d_dxf.zip](#)

English

Customer View Model

[ENG_CVM_CVM_5106015-1_A.3d_igs.zip](#)

English

Customer View Model

[ENG_CVM_CVM_5106015-1_A.3d_stp.zip](#)

English

Product Specifications

[Application Specification](#)

English

Product Environmental Compliance

[MD_5106015-1_01302018428_dmtec](#)

English

[MD_5106015-1_01302018428_dmtec](#)

English