

# 2MM HDR, 55 POS EXTN MOD ✓ ACTIVE

Z-PACK | Z-PACK 2mm HM

TE Part # 100159-1

TE Internal #: 100159-1

[View on TE.com >](#)



Connectors > PCB Connectors > Backplane Connectors > Hard Metric Connectors



Data Rate:  $\leq 1$  Gb/s

Number of Columns: 11

Number of Rows: 5

Architecture: Mezzanine

Connector System: Board-to-Board

## Features

### Product Type Features

Make First / Break Last	No
Connector System	Board-to-Board
Connector Type	Connector Assembly
Connector Style	Plug
Shielded	No
Sealable	No
Connector & Contact Terminates To	Printed Circuit Board

### Configuration Features

Rows Loaded	A, B, C, D, E
Number of Columns	11
Number of Rows	5
Architecture	Mezzanine
Number of Positions	55
PCB Mount Orientation	Vertical

### Signal Characteristics

Crosstalk Version	Standard
Data Rate	$\leq 1$ Gb/s

### Contact Features

Feedthrough Post Length	3.7 mm
-------------------------	--------



Grounding Contact	Without
Contact Configuration	ACTION PIN, Signal
Contact Base Material	Phosphor Bronze
Contact Type	Pin
CompactPCI Designation	None
Contact Mating Area Plating Material	Gold
Contact Mating Area Plating Thickness	.8 $\mu$ m
Contact Current Rating (Max)	1.5 A

#### Termination Features

Termination End Plating Material	Tin-Lead over Nickel
Interface Type	2mm HM

#### Mechanical Attachment

Front Mating Level	Level 1
Mating Alignment Type	Polarizing Peg
Connector Mounting Type	Board Mount

#### Housing Features

Centerline (Pitch)	2 mm[.078 in]
Housing Material	PBT GF
Housing Color	Gray

#### Dimensions

Module Length	25 mm
---------------	-------

#### Usage Conditions

Operating Temperature Range	-55 – 125 °C[-67 – 257 °F]
-----------------------------	----------------------------

#### Operation/Application

Circuit Application	Signal
---------------------	--------

#### Industry Standards

UL Flammability Rating	UL 94V-0
AdvancedTCA Specified Product	No

#### Packaging Features

Packaging Quantity	21
Packaging Method	Tube

#### Other

## Comment

This module type is used only at one end of stacked connector modules

## Product Compliance

[For compliance documentation, visit the product page on TE.com>](#)

EU RoHS Directive 2011/65/EU

Not Compliant

EU ELV Directive 2000/53/EC

Not Compliant

China RoHS 2 Directive MIIT Order No 32, 2016

Restricted Materials Above Threshold

EU REACH Regulation (EC) No. 1907/2006

Current ECHA Candidate List: JAN 2019 (197)  
Candidate List Declared Against: JAN 2019 (197)

Halogen Content

Not Low Halogen - contains Br or Cl > 900 ppm.

Solder Process Capability

Not applicable for solder process capability

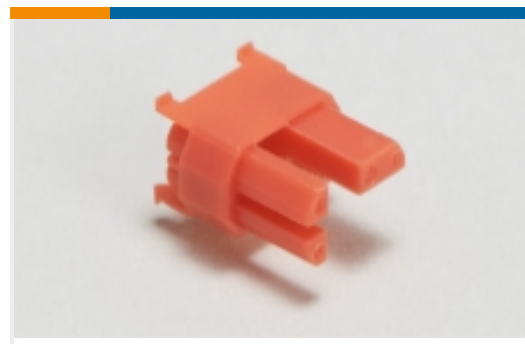
### Product Compliance Disclaimer

This information is provided based on reasonable inquiry of our suppliers and represents our current actual knowledge based on the information they provided. This information is subject to change. The part numbers that TE has identified as EU RoHS compliant have a maximum concentration of 0.1% by weight in homogenous materials for lead, hexavalent chromium, mercury, PBB, PBDE, DBP, BBP, DEHP, DIBP, and 0.01% for cadmium, or qualify for an exemption to these limits as defined in the Annexes of Directive 2011/65/EU (RoHS2). Finished electrical and electronic equipment products will be CE marked as required by Directive 2011/65/EU. Components may not be CE marked. Additionally, the part numbers that TE has identified as EU ELV compliant have a maximum concentration of 0.1% by weight in homogenous materials for lead, hexavalent chromium, and mercury, and 0.01% for cadmium, or qualify for an exemption to these limits as defined in the Annexes of Directive 2000/53/EC (ELV). Regarding the REACH Regulations, TE's information on SVHC in articles for this part number is still based on the European Chemical Agency (ECHA) 'Guidance on requirements for substances in articles' (Version: 2, April 2011), applying the 0.1% weight on weight concentration threshold at the finished product level. TE is aware of the European Court of Justice ruling of September 10th, 2015 also known as O5A (Once An Article Always An Article) stating that, in case of 'complex object', the threshold for a SVHC must be applied to both the product as a whole and simultaneously to each of the articles forming part of its composition. TE has evaluated this ruling based on the new ECHA "Guidance on requirements for substances in articles" (June 2017, version 4.0) and will be updating its statements accordingly.

## Compatible Parts



Also in the Series | [Z-PACK 2mm HM](#)



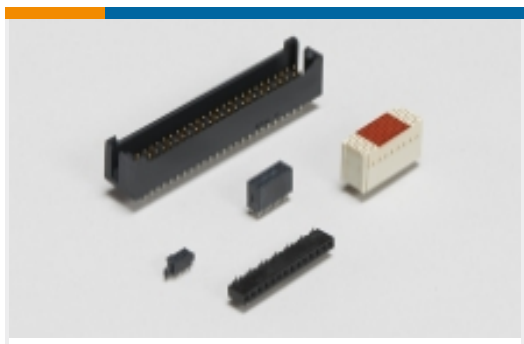
Backplane Coding Keys(60)



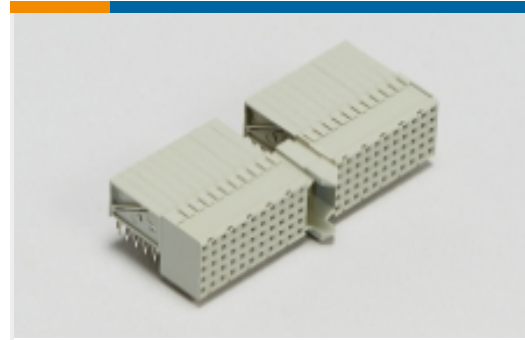
Backplane Guide Hardware (37)



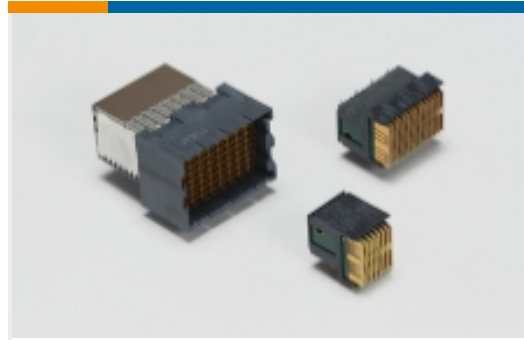
Board-to-Board Connector Contacts(8)



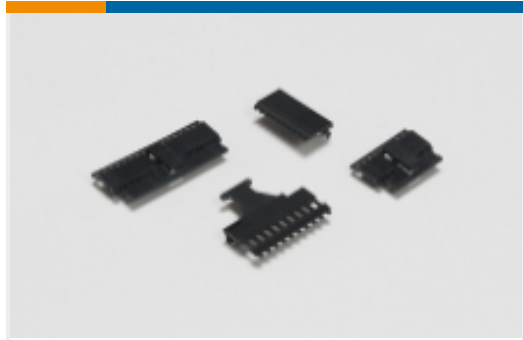
Board-to-Board Headers & Receptacles(6)



Hard Metric Backplane Connectors(257)



High Speed Backplane Connectors(8)



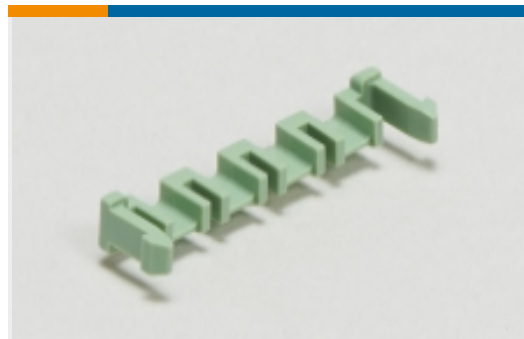
PCB Connector Covers(4)



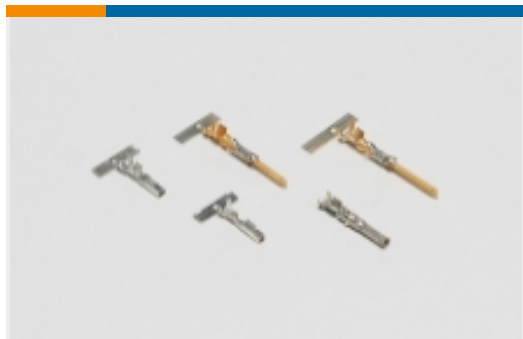
PCB Connector Shrouds (48)



PCB Ferrules & Shields(19)



PCB Latches, Locks & Retainers(1)

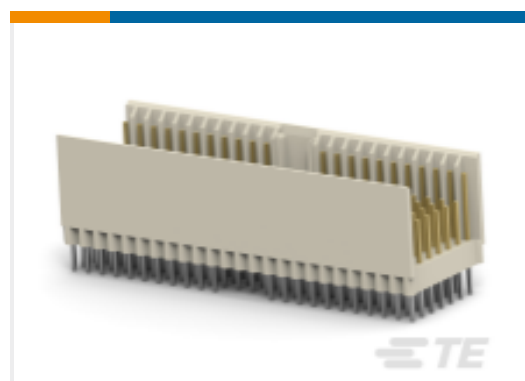


Power Contacts(1)

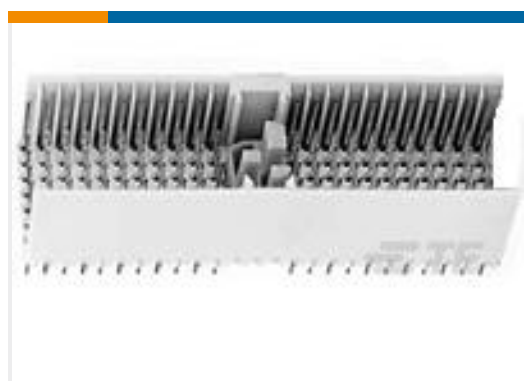


Rectangular Power Connectors(111)

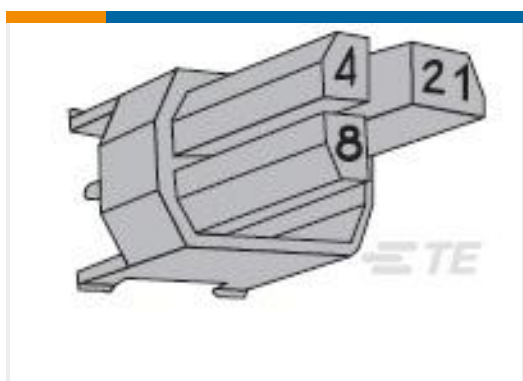
## Customers Also Bought



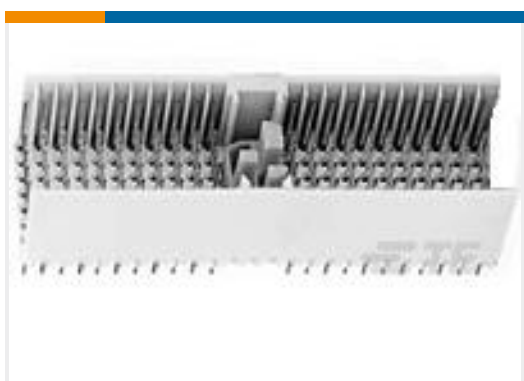
TE Part #646529-1  
Z-PACK 2MM HM TYPE A /B 169P



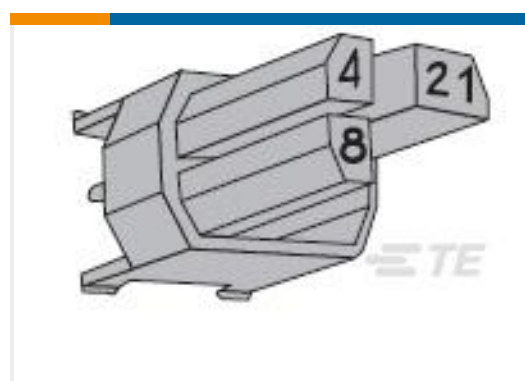
TE Part #100668-1  
Z-PACK M.ASSY.154P.



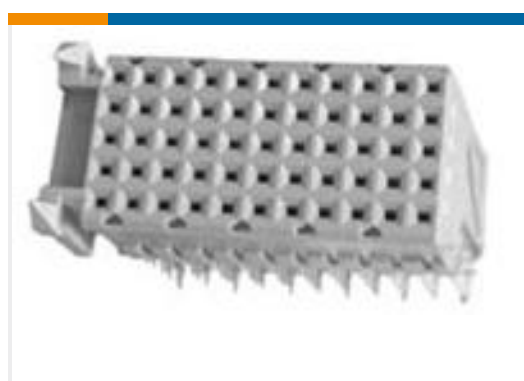
TE Part #5-100525-4  
CODING DEV INSRT  
COLOR GREEN



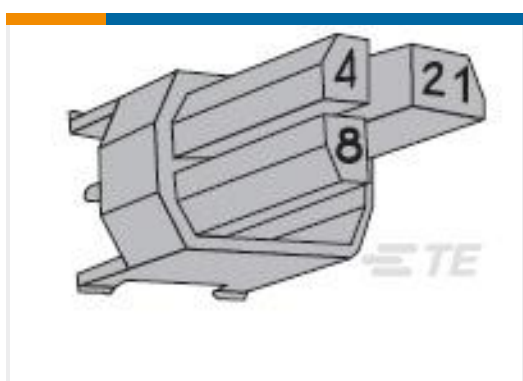
TE Part #100143-1  
PACK/A MALE HDR 110P,  
2MM HM



TE Part #100525-9  
Z-PACK M.CODING KEY



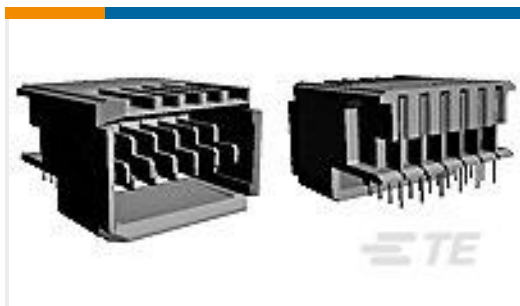
TE Part #100161-1  
Z-PACK/C F-HDR 55P



TE Part #100525-3  
Z-PACK M.CODING KEY



TE Part #5120789-1  
ZP HS3 DB 06R REC 030P  
LT PD



TE Part #5223962-1  
UNV PWR MDL ASY HDR  
SEQ



TE Part #786554-1  
20 50SR VRT RCPT,L,R,  
ACT PIN

## Documents

### Product Drawings

2MM HDR, 55 POS EXTN MOD

English

### CAD Files

3D PDF

3D

Customer View Model

[ENG\\_CVM\\_CVM\\_100159-1\\_J.2d\\_dxf.zip](#)

English

Customer View Model

[ENG\\_CVM\\_CVM\\_100159-1\\_J.3d\\_igs.zip](#)

English

Customer View Model

[ENG\\_CVM\\_CVM\\_100159-1\\_J.3d\\_stp.zip](#)

English

### Product Specifications

[Application Specification](#)

English

### Product Environmental Compliance

[TE Material Declaration](#)

English

### Instruction Sheets

[INSERTION TOOL FOR Z-PACK 2mm HM CONN.](#)

Japanese

[Instruction Sheet \(non U.S.\)](#)

Japanese