

Features

- Advanced one-piece photoelectric sensors with outstanding optical performance and extremely rugged design
- Operate from 90 to 250 V AC (50/60 Hz)
- SPDT electromechanical relay output for economical, high-capacity switching and immunity to electrical noise
- Multiple sensing modes available: opposed, diffuse, retroreflective, and convergent, plus glass and plastic fiber optic models
- Selectable light/dark operate
- Versatile plug-in modules available for output timing logic and/or signal strength display
- Highly visible Power, Signal (AID™ System ⁽¹⁾), and Output indicator LEDs
- Choice of prewired 2 m (6.5 ft) or 9 m (30 ft) unterminated cable or 7/8 in-16UNF quick-disconnect fitting
- Versatile mounting options
- Designed to withstand 1200 psi washdown; exceeds its NEMA 6P and IEC IP67 rating



WARNING:



- **Do not use this device for personnel protection**
- Using this device for personnel protection could result in serious injury or death.
- This device does not include the self-checking redundant circuitry necessary to allow its use in personnel safety applications. A device failure or malfunction can cause either an energized (on) or de-energized (off) output condition.

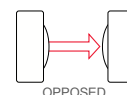
Models

To order the 9 m (30 ft) cable models, add the suffix "W/30" to the cabled model number. (For example: Q452E W/30.) Models with a quick disconnect connector require a mating cable.

For a list of discontinued models, see [Discontinued Models](#).

Q45VR2 Opposed Mode Emitter (E) and Receiver (R) Models

In opposed-mode sensing, the sensor's emitter and receiver are housed in two separate units. The emitter is placed opposite the receiver so that the light beam goes directly from the emitter to the receiver. An object is detected when it breaks the working part of the light beam, known as the effective beam. Because of their extremely high excess gain, these opposed-mode sensors are an excellent option for sensing in contaminated or dirty areas, and are also the best choice for long-range sensing.



Q45VR2 opposed mode emitter and received models (infrared, 880 nm)

Models	Cable	Effective Beam	Range	Output Type
Q452E Emitter	2-wire 2 m (6.5 ft) cable	13 mm	60 m (200 ft)	SPDT Electro-mechanical relay
Q45VR2R Receiver	5-wire 2 m (6.5 ft) cable			
Q452EQ Emitter	3-pin Mini QD			
Q45VR2RQ Receiver	5-pin Mini QD			

Q45VR2 Retroreflective Mode Models

A retroreflective sensor contains both the emitter and receiver elements. The effective beam is established between the emitter, the retroreflector, and the receiver. As with an opposed-mode sensor, an object is sensed when it interrupts or "breaks" the effective beam.

The visible red sensing beam of these sensors makes them very easy to align. Model Q45VR2LP polarizes the emitted light and filters out unwanted reflections, making sensing possible in applications otherwise considered unsuited to retroreflective sensing.



Specified using the model BRT-3 3-inch reflector (see the Accessories section of your current Banner catalog for further information).

Non-polarized visible red (680 nm)

Models	Cable	Range	Output Type
Q45VR2LV	5-wire 2 m (6.5 ft) cable	0.08 to 9 m (3 in to 30 ft)	SPDT Electro-mechanical relay
Q45VR2LVQ	5-pin Mini QD		

⁽¹⁾ U.S. Patent no. 4356393

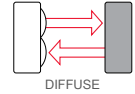


Polarized visible red (680 nm)

Models	Cable	Range	Output Type
Q45VR2LP	5-wire 2 m (6.5 ft) cable	0.15 to 6 m (6 in to 20 ft)	SPDT Electro-mechanical relay
Q45VR2LPQ	5-pin Mini QD		

Q45VR2 Diffuse Mode Models

In diffuse-mode sensing, light emitted from the sensor strikes the surface of the object to be detected and is reflected back to the receiver, which is housed with the emitter. With a diffuse-mode sensor, the object is detected when it "makes" the beam, that is, the object reflects the sensor's transmitted light energy back to the sensor.



These diffuse-mode models detect objects by sensing the reflection of their own emitted light. Ideal for use when the reflectivity and profile of the object to be sensed are sufficient to return a large percentage of emitted light back to the sensor. Model Q45VR2DX is the first choice for diffuse-mode applications when there are no background objects to falsely return light.

Performance curves are based on a 90% reflectance white test card.

Short-range models (infrared, 880 nm)

Models	Cable	Range	Output Type
Q45VR2D	5-wire 2 m (6.5 ft) cable	45 cm (18 inches)	SPDT Electro-mechanical relay
Q45VR2DQ	5-pin Mini QD		

Long-range models (infrared, 880 nm)

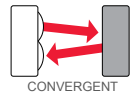
Models	Cable	Range	Output Type
Q45VR2DL	5-wire 2 m (6.5 ft) cable	1.8 m (6 ft)	SPDT Electro-mechanical relay
Q45VR2DLQ	5-pin Mini QD		

High-power models (infrared, 880 nm)

Models	Cable	Range	Output Type
Q45VR2DX	5-wire 2 m (6.5 ft) cable	3 m (10 ft) Range	SPDT Electro-mechanical relay
Q45VR2DXQ	5-pin Mini QD		

Q45VR2 Convergent Mode Models

Convergent-mode sensors use a lens system to focus the emitter and receiver elements to an exact point in front of the sensor. Like diffuse-mode and divergent-mode sensors, convergent-mode sensors detect an object when that object completes or "makes" the light beam. This design produces a small, intense, and well-defined sensing area, at a fixed distance from the sensor lens. It is a very efficient use of reflective energy.



These sensors are ideal for reflective sensing of very small parts or profiles and can accurately sense the position of parts approaching from the side. The sensors ignore all but highly reflective objects outside the sensing range.

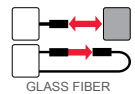
Performance curves are based on a 90% reflectance white test card.

Convergent mode models (visible red, 680 nm)

Models	Focus	Cable	Output Type
Q45VR2CVQ	38 mm (1.5 in) Spot Size at Focus: 1.3 mm (0.05 in)	5-pin Mini QD	SPDT Electro-mechanical relay
Q45VR2CV4Q	100 mm (4 in) Spot Size at Focus: 1.5 mm (0.06 in)	5-pin Mini QD	SPDT Electro-mechanical relay

Q45VR2 Glass Fiber Models

These models are an excellent choice for glass fiber optic applications where faster sensor response is not important. Their high excess gain means that opposed individual fibers can operate reliably in many very hostile environments. Also, special miniature bifurcated fiber optic assemblies with bundle sizes as small as 0.5 mm (.020 in) dia. may be used successfully for diffuse-mode sensing when using sensor model Q45VR2F(Q). For more information on compatible glass fiber optics, refer to your current catalog.



Diffuse mode performance curves are based on a 90% reflectance white test card.

Glass fiber models (infrared, 880 nm)

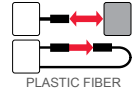
Models	Cable	Range	Output Type
Q45VR2F	5-wire 2 m (6.5 ft) cable	Range varies by sensing mode and fiber optics used	SPDT Electro-mechanical relay
Q45VR2FQ	5-pin Mini QD		

Glass fiber models (visible red, 650 nm)

Models	Cable	Range	Output Type
Q45VR2FV	5-wire 2 m (6.5 ft) cable	Range varies by sensing mode and fiber optics used	SPDT Electro-mechanical relay
Q45VR2FVQ	5-pin Mini QD		

Q45VR2 Plastic Fiber Models

Lower in cost than glass fiber optics, plastic fiber optics are ideal for use when environmental conditions allow (for example, low levels of acids, alkalis, and solvents). Most are easily cut to length in the field and are available in a variety of sensing end styles. For more information on compatible plastic fiber optics, refer to your current catalog.



Diffuse mode performance curves are based on a 90% reflectance white test card.

Plastic fiber models (visible red, 660 nm)

Models	Cable	Range	Output Type
Q45VR2FP	5-wire 2 m (6.5 ft) cable	Range varies by sensing mode and fiber optics used	SPDT Electro-mechanical relay
Q45VR2FPQ	5-pin Mini QD		

Overview

Status indicator LEDs for power, signal, and output are clearly visible beneath a raised dome in the sensor's transparent o-ring-sealed polycarbonate cover. Also located beneath the sensor's o-ring-sealed cover are controls for light/dark operate selection and the sensitivity adjustment.

- The power indicator (green) lights when power is applied to the sensor.
- The signal indicator (red) lights when the sensor sees its modulated light source and pulses at a rate proportional to the strength of the received light signal; this is the AID™ Alignment Indicating Device⁽²⁾.
- The output indicator (amber) lights when the sensor's output is conducting. This indicator is especially useful when a timing logic module is used and signal and output conditions are not concurrent.

In dark operate (DO) mode, the output is ON when the target returns less light to the sensor than the configured target and OFF when the sensor detects more light than the configured/taught target. In light operate (LO) mode, the output is ON when the target returns the same or more light to the sensor and OFF when the sensor detects less light than the configured/taught target. In **opposed and retroreflective sensing modes**, dark operate is active when the beam is blocked. In **diffuse, fixed field, and adjustable field sensor modes**, dark operate is active when the target is absent.

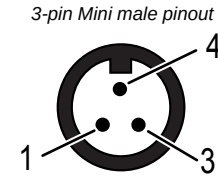
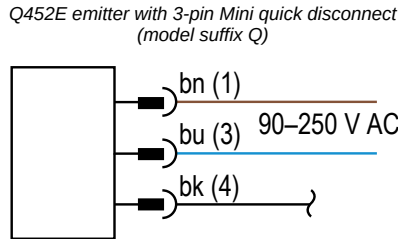
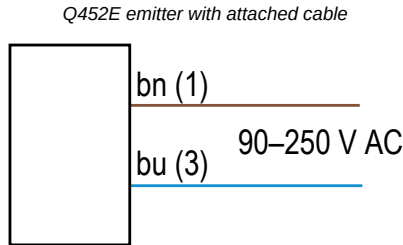
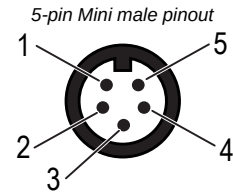
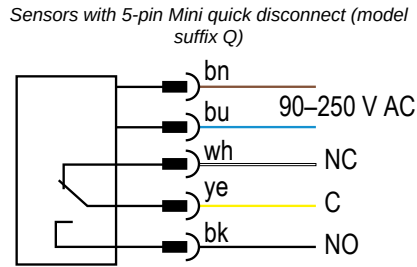
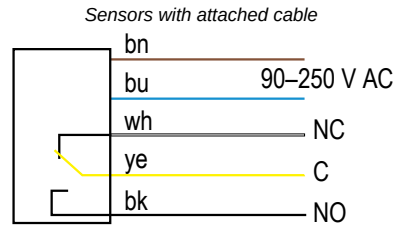
In light operate (LO) mode, the output is ON when the target returns the same or more light to the sensor and OFF when the sensor detects less light than the configured/taught target. In **opposed and retroreflective sensing modes**, light operate is active when the beam is unblocked. In **diffuse, fixed field, and adjustable field sensor modes**, light operate is active when the target is present.

1. Sensitivity adjustment
2. LEDs
 - Green LED: Power on indicator
 - Red LED: Signal indicator
 - Amber LED: Output status indicator
3. Optional LED signal strength display
4. Optional timing adjustment
5. Optional timing adjustment
6. Light/dark operate switch



⁽²⁾ US patent no. 4356393

Wiring Diagrams



Specifications

Supply Voltage and Current

90 to 250 V AC (50/60 Hz)
 Average current 20 mA
 Peak current 500 mA at 120 V AC, 750 mA at 250 V AC

Supply Protection Circuitry

Protected against transient voltages

Output Configuration

SPDT (Single-Pole Double-Throw) electromechanical relay output. All models except emitters.

Output Rating

Max. switching power (resistive load): 150 W, 600 VA
 Max. switching voltage (resistive load): 250 V AC, 30 V DC
 Max. switching current (resistive load): 5 A at 250 V AC
 Min. voltage and current: 5 V DC, 0.1 mA
 Mechanical life of relay: 10,000,000 operations
 Electrical life of relay at full resistive load: 100,000 operations

Output Protection Circuitry

Protected against false pulse on power-up

Output Response Time

15 milliseconds ON and OFF

NOTE: 100 millisecond delay on power-up. Output is de-energized during this time

Repeatability

Opposed mode: 0.25 milliseconds
 All other sensing modes: 0.5 milliseconds
 Response time and repeatability specifications are independent of signal strength.

Adjustments

Light/Dark Operate select switch and multi-turn Sensitivity control (allows precise sensitivity setting – turn clockwise to increase gain).

Optional logic and logic/display modules have adjustable timing functions.

Indicators

Indicator LEDs are clearly visible beneath a raised transparent Lexan® dome on top of the sensor

Power (green) LED lights when 90 to 250 V ac power is applied

Signal (red) AID™ System LED lights when the sensor sees its modulated light source and pulses at a rate proportional to the strength of the received light signal

Load (amber) LED lights whenever the output relay is energized

Optional 7-element LED signal strength display modules

Construction

Molded reinforced thermoplastic polyester housing, o-ring-sealed transparent polycarbonate cover, molded acrylic lenses, and stainless steel hardware. Q45s are designed to withstand 1200 psi washdown.

The base of cabled models has a 1/2-inch NPS integral internal conduit thread.

Connections

PVC-jacketed 2-wire (emitters) or 5-wire (all others) 2 m (6.5 ft) or 9 m (30 ft) unterminated cables, or 3-pin (emitters) or 5-pin (all others) 7/8 in-16UNF quick-disconnect (QD) fittings are available ("Q" - suffix models).

QD cables are ordered separately.

Application Notes

Transient suppression is recommended for contacts switching inductive loads.

Optional output timing modules are available.

Environmental Rating
NEMA 6P, IEC IP67

Operating Conditions
Temperature: -40 °C to +70 °C (-40 °F to +158 °F)
Maximum relative humidity: 90% at 50 °C (non-condensing)

Certifications

CE Banner Engineering BV
Park Lane, Culliganlaan 2F bus 3
1831 Diegem, BELGIUM

UL

Required Overcurrent Protection



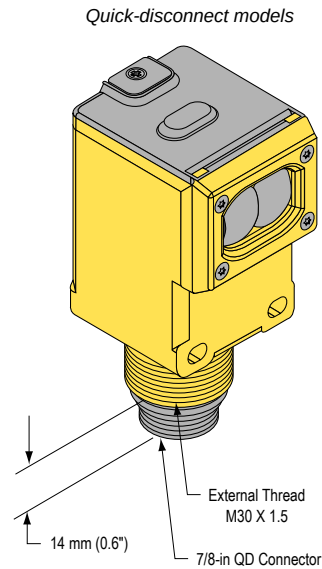
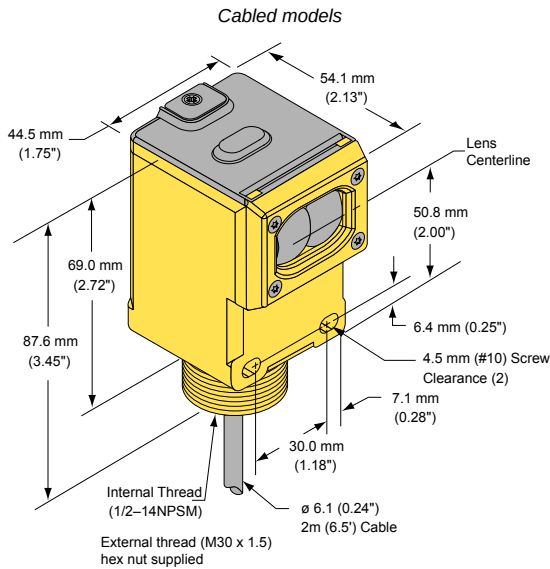
WARNING: Electrical connections must be made by qualified personnel in accordance with local and national electrical codes and regulations.

Overcurrent protection is required to be provided by end product application per the supplied table.
Overcurrent protection may be provided with external fusing or via Current Limiting, Class 2 Power Supply.
Supply wiring leads < 24 AWG shall not be spliced.
For additional product support, go to www.bannerengineering.com.

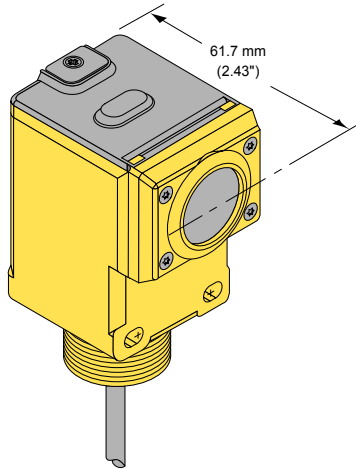
Supply Wiring (AWG)	Required Overcurrent Protection (A)	Supply Wiring (AWG)	Required Overcurrent Protection (A)
20	5.0	26	1.0
22	3.0	28	0.8
24	2.0	30	0.5

Dimensions

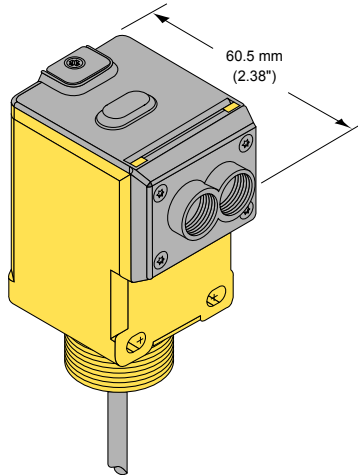
Opposed, Retro, and Diffuse Sensing Modes (Model Suffix E, R, D, DL, DX, LP, and LV)



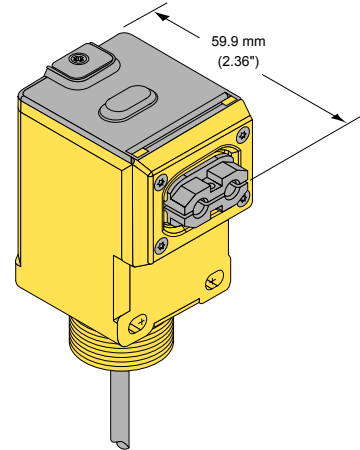
Convergent sensor models (CV and CV4)



Glass fiber optic models (F and FV)

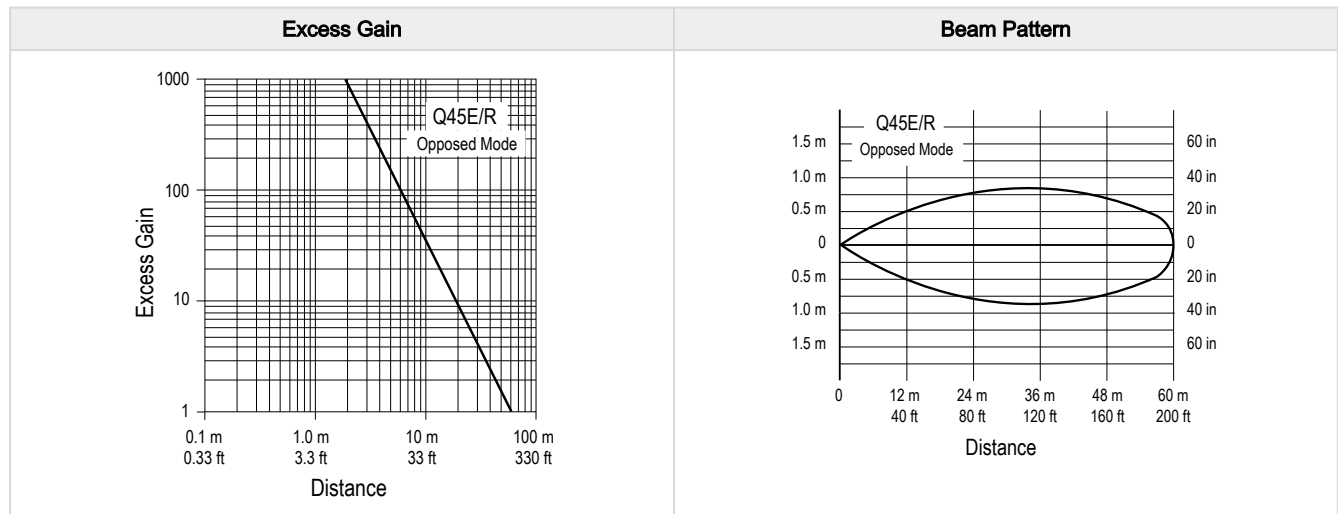


Plastic fiber optic models (FP)

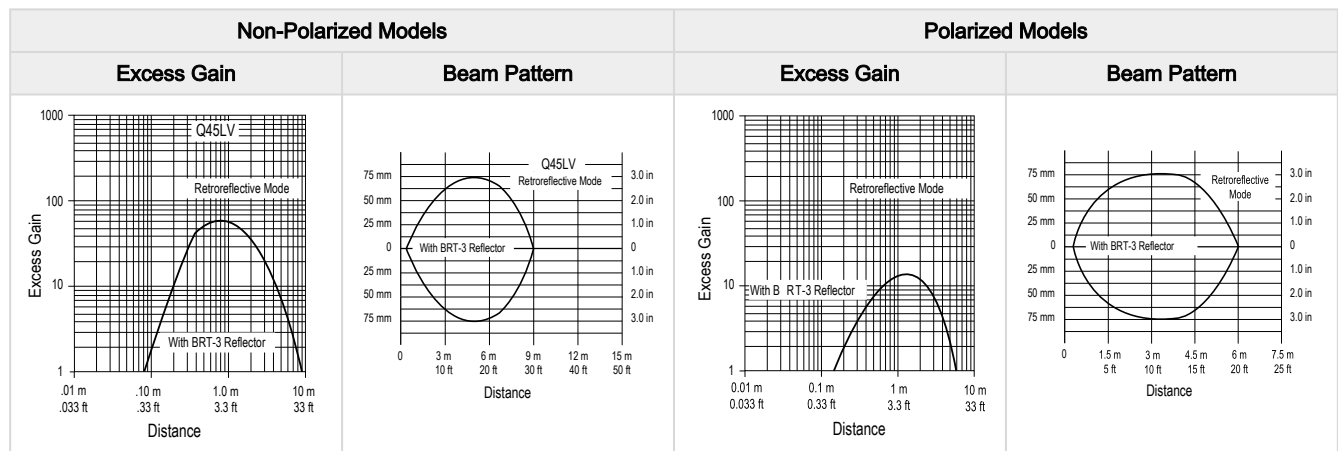


Performance Curves

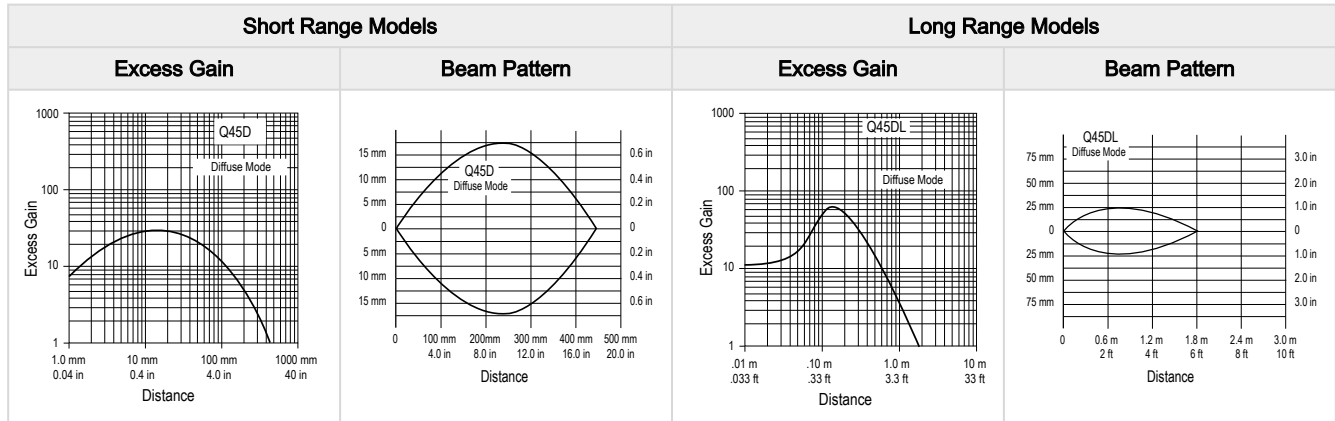
Opposed Mode Models



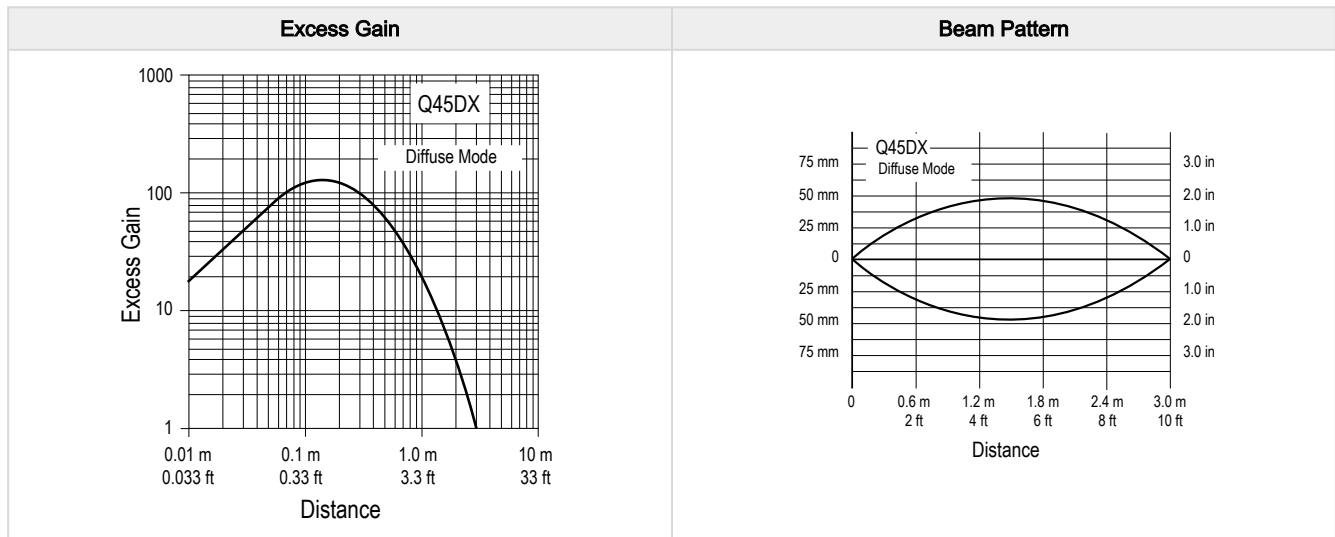
Retroreflective Mode Models



Diffuse Mode Models

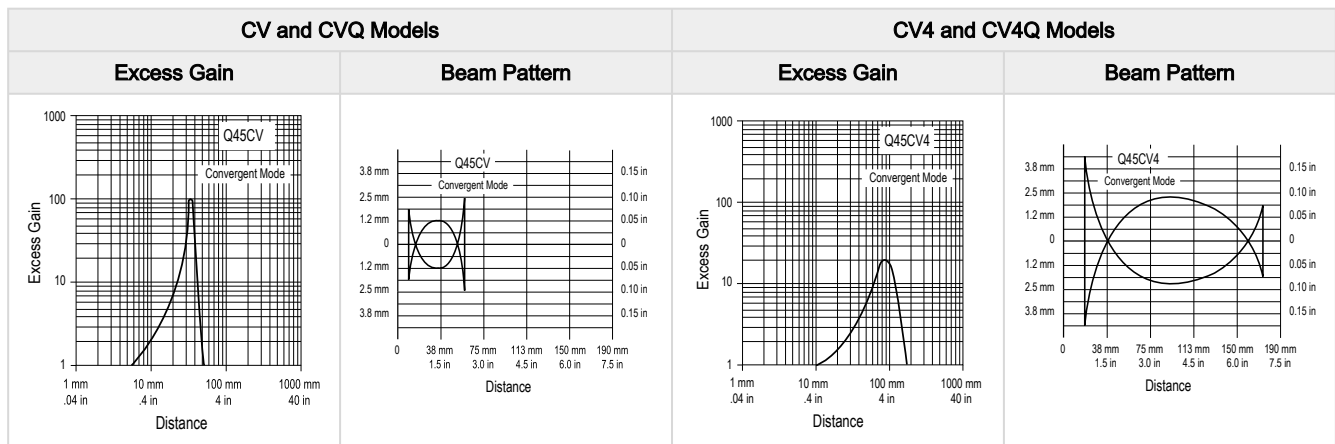


Diffuse High Power Mode Models



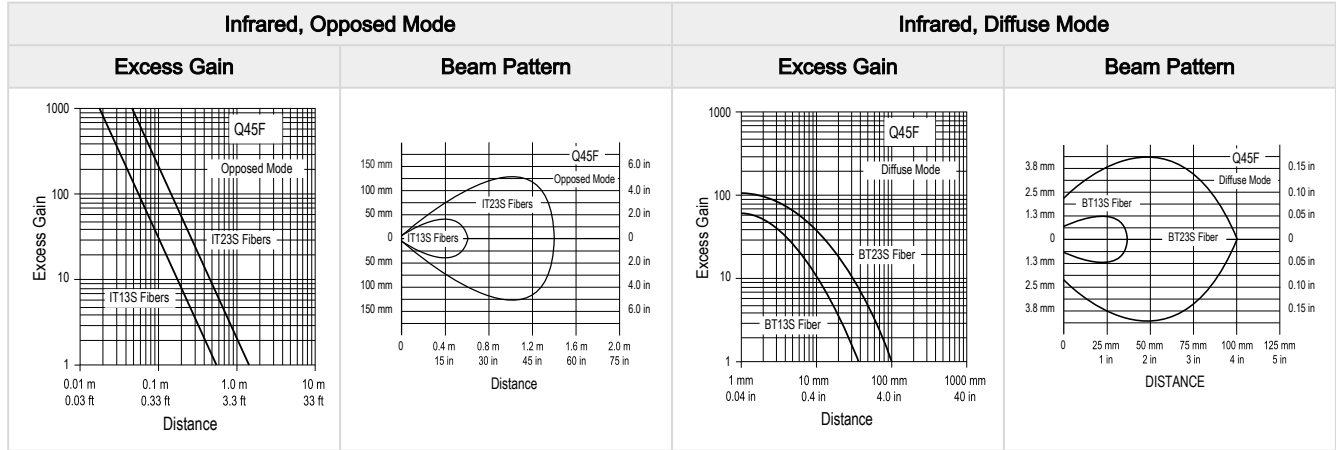
Diffuse mode performance curves are based on a 90% reflectance white test card.

Convergent Mode Models



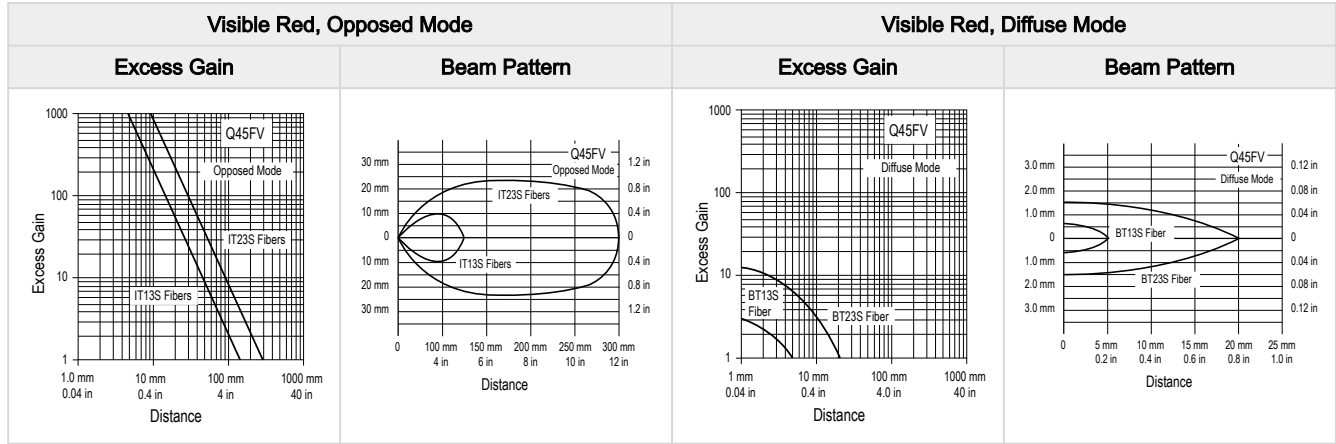
Convergent mode performance curves are based on a 90% reflectance white test card.

Glass Fiber Models (Infrared)

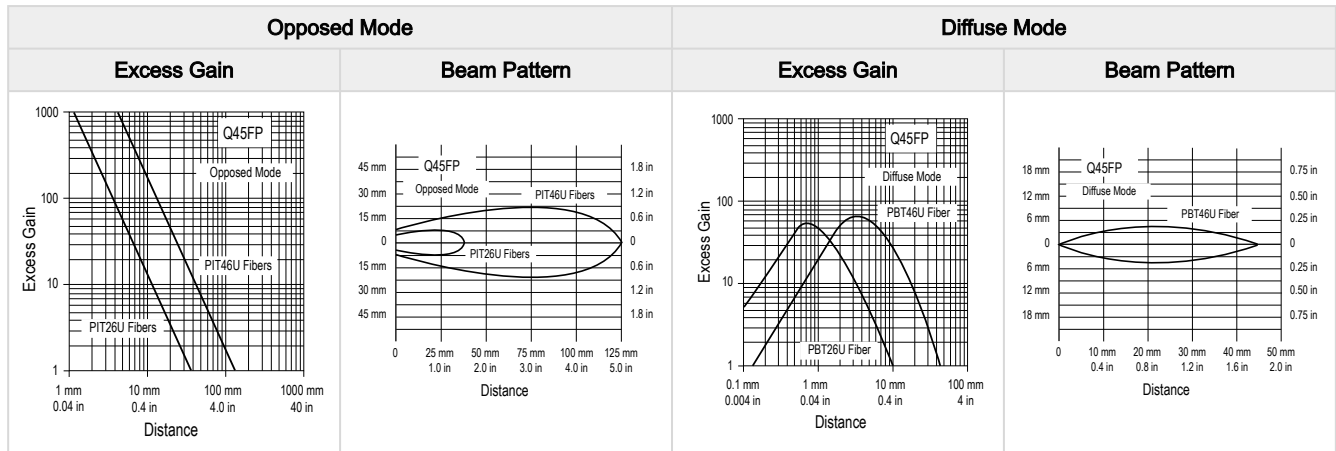


Glass fiber diffuse mode performance curves are based on a 90% reflectance white test card.

Glass Fiber Models (Visible Red)



Plastic Fiber Models



Plastic fiber diffuse mode performance curves are based on a 90% reflectance white test card.

Accessories

3-pin Single-Ended Mini Female Cordsets					
Model	Length	Style	Dimensions	Pinout (Female)	
MBCC-306	1.83 m (6 ft)	Straight		<p>1 = Brown 3 = Blue 4 = Black</p>	
MBCC-312	3.66 m (12 ft)				
MBCC-330	9.14 m (30 ft)				
SMICC-306	2 m (6.56 ft)	Straight			<p>1 = Red/Black 3 = Red/White 4 = Green</p>
SMICC-312	4 m (13.12 ft)				
SMICC-330	10 m (32.81 ft)				
SM30CC-306	1.83 m (6 ft)	Straight			
SM30CC-312	3.66 m (12 ft)				

5-Pin Single-Ended Mini Female Cordsets				
Model	Length	Style	Dimensions	Pinout (Female)
MBCC-506	1.83 m (6 ft)	Straight		<p>1 = Black 2 = Blue 3 = Yellow 4 = Brown 5 = White</p>
MBCC-512	3.66 m (12 ft)			
MBCC-530	9.14 m (30 ft)			

Retroreflective Targets

Banner offers a wide selection of high-quality retroreflective targets. See www.bannerengineering.com for complete information.

NOTE: Polarized sensors require corner cube-type retroreflective targets. Non-polarized sensors may use any retroreflective target.

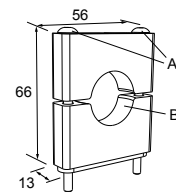


Brackets

SMB30C

- 30 mm split clamp, black PBT bracket
- Stainless steel mounting hardware included
- Mounting hole for 30 mm sensor
- CAD Files: [DXF](#), [PDF](#), [IGS](#), [STP](#)

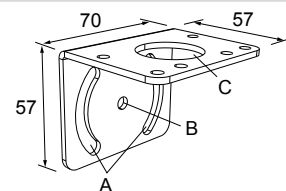
Hole center spacing: A=∅ 45
Hole size: B=∅ 27.2



SMB30MM

- 12-gauge stainless steel bracket with curved mounting slots for versatile orientation
- Clearance for M6 (¼ in) hardware
- Mounting hole for 30 mm sensor
- CAD Files: [DXF](#), [PDF](#), [IGS](#), [STP](#)

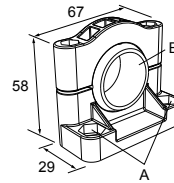
Hole center spacing: A=51, A to B=25.4
Hole size: A=42.6 × 7, B=∅ 6.4, C=∅ 30.1



SMB30SC

- Swivel bracket with 30 mm mounting hole for sensor
- Black reinforced thermoplastic polyester
- Stainless steel mounting and swivel locking hardware included
- CAD Files: [DXF](#), [PDF](#), [IGS](#), [STP](#)

Hole center spacing: A=∅ 50.8
Hole size: A=∅ 7.0, B=∅ 30.0



Output Timing Logic and Signal Strength Display Modules

Q45 sensors easily accept the addition of output timing logic and signal strength display functions. Display modules have a seven-element display that gives a more precise indication of excess gain than does the AID™ system LED that is standard on Q45 sensors. The modules listed below may be used with all Q45VR2 sensors. Refer to the module's datasheet for more information.

Models	Logic and/or Display Function
45LM58	Programmable output timing logic
45LM58D	Programmable output timing logic plus signal strength display
45LMD	Signal strength display only (no timing function)

Product Support and Maintenance

Discontinued Models

The following models are no longer available for order but are still covered by the information in this document.

Models	Cable	Sensing Mode
Q45VR2R W/30 Receiver	5-wire 9 m cable	Opposed mode sensors
Q45VR2D W/30	5-wire 9 m cable	Diffuse mode sensors
Q45VR2DL W/30		
Q45VR2DX W/30		
Q45VR2CV	5-wire 2 m (6.5 ft) cable	Convergent mode sensors; 38 mm (1.5 in) Spot Size at Focus: 1.3 mm (0.05 in)
Q45VR2CV W/30	5-wire 9 m cable	
Q45VR2CV4	5-wire 2 m (6.5 ft) cable	Convergent mode sensors; 100 mm (4 in) Spot Size at Focus: 1.5 mm (0.06 in)
Q45VR2CV4 W/30	5-wire 9 m cable	
Q45VR2F W/30	5-wire 9 m cable	Glass fiber mode sensor
Q45VR2FP W/30	5-wire 9 m cable	Plastic fiber mode sensor

Contact Us

Banner Engineering Corp. | 9714 Tenth Avenue North | Plymouth, MN 55441, USA | Phone: + 1 888 373 6767

For worldwide locations and local representatives, visit www.bannerengineering.com.

Banner Engineering Corp Limited Warranty

Banner Engineering Corp. warrants its products to be free from defects in material and workmanship for one year following the date of shipment. Banner Engineering Corp. will repair or replace, free of charge, any product of its manufacture which, at the time it is returned to the factory, is found to have been defective during the warranty period. This warranty does not cover damage or liability for misuse, abuse, or the improper application or installation of the Banner product.

THIS LIMITED WARRANTY IS EXCLUSIVE AND IN LIEU OF ALL OTHER WARRANTIES WHETHER EXPRESS OR IMPLIED (INCLUDING, WITHOUT LIMITATION, ANY WARRANTY OF MERCHANTABILITY OR FITNESS FOR A PARTICULAR PURPOSE), AND WHETHER ARISING UNDER COURSE OF PERFORMANCE, COURSE OF DEALING OR TRADE USAGE.

This Warranty is exclusive and limited to repair or, at the discretion of Banner Engineering Corp., replacement. **IN NO EVENT SHALL BANNER ENGINEERING CORP. BE LIABLE TO BUYER OR ANY OTHER PERSON OR ENTITY FOR ANY EXTRA COSTS, EXPENSES, LOSSES, LOSS OF PROFITS, OR ANY INCIDENTAL, CONSEQUENTIAL OR SPECIAL DAMAGES RESULTING FROM ANY PRODUCT DEFECT OR FROM THE USE OR INABILITY TO USE THE PRODUCT, WHETHER ARISING IN CONTRACT OR WARRANTY, STATUTE, TORT, STRICT LIABILITY, NEGLIGENCE, OR OTHERWISE.**

Banner Engineering Corp. reserves the right to change, modify or improve the design of the product without assuming any obligations or liabilities relating to any product previously manufactured by Banner Engineering Corp. Any misuse, abuse, or improper application or installation of this product or use of the product for personal protection applications when the product is identified as not intended for such purposes will void the product warranty. Any modifications to this product without prior express approval by Banner Engineering Corp will void the product warranties. All specifications published in this document are subject to change; Banner reserves the right to modify product specifications or update documentation at any time. Specifications and product information in English supersede that which is provided in any other language. For the most recent version of any documentation, refer to: www.bannerengineering.com.

For patent information, see www.bannerengineering.com/patents.