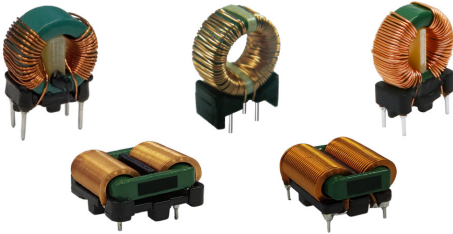


**RoHS
Compliant**



Features

- Good temperature characteristic
- Compact size
- Effective anti-interference
- High reliability
- Meets UL508 isolation requirements

General Specifications

Item	Test Conditions	Min.	Typ.	Max.	Unit	
Operating Temperature*	MPL2D-10-502	-40	-	+125	°C	
	Others	-40		+105		
Storage Temperature	MPL2D-10-502	-40		+125		
	Others	-40		+105		
Storage Humidity	-	-	-	95	%RH	
Inductance	fo=1kHz, Uo=0.3V	MPL2D-30-351	-50	-	-	%
	-	Others	-35			
Isolation	Leakage current Io=1mA, Electric Strength Test for 1min.		2000	-	-	V DC
	Leakage current Io=5mA, Electric Strength Test for 1min. (only for MPL2D-30-103, MPL2D-A2-202, MPL2D-10-502)	Coil-coil	1500	-	-	V AC
		Coil-core	1000	-	-	
Vibration	MPL2D-30-103; MPL2D-A2-202; MPL2D-60-402; MPL2D-60-451; MPL2D-D0-040		IEC60077, IEC 61373 - Category 1, Grade B			

*Operating Temperature range includes inductor self heating.

Specification Table

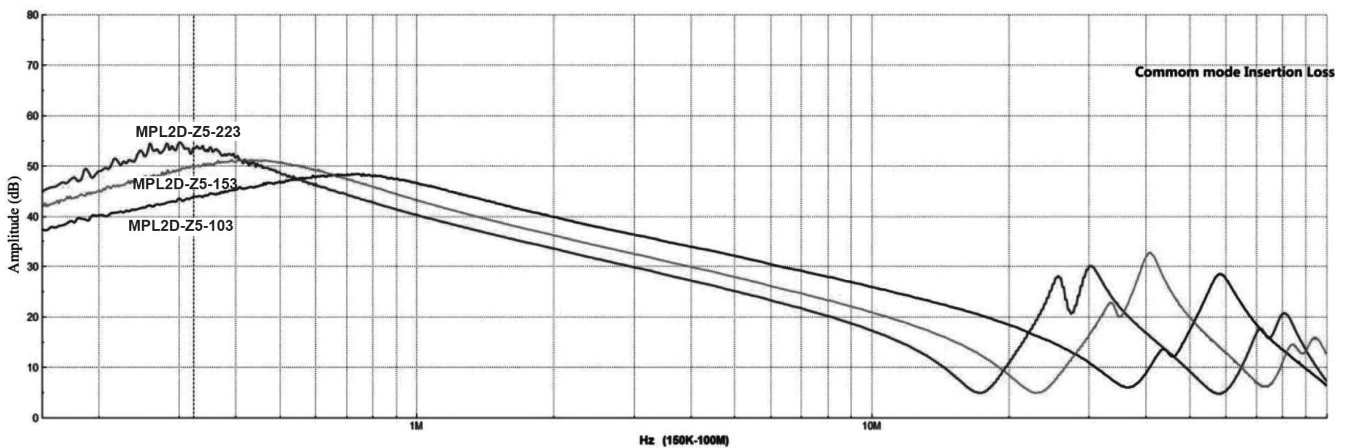
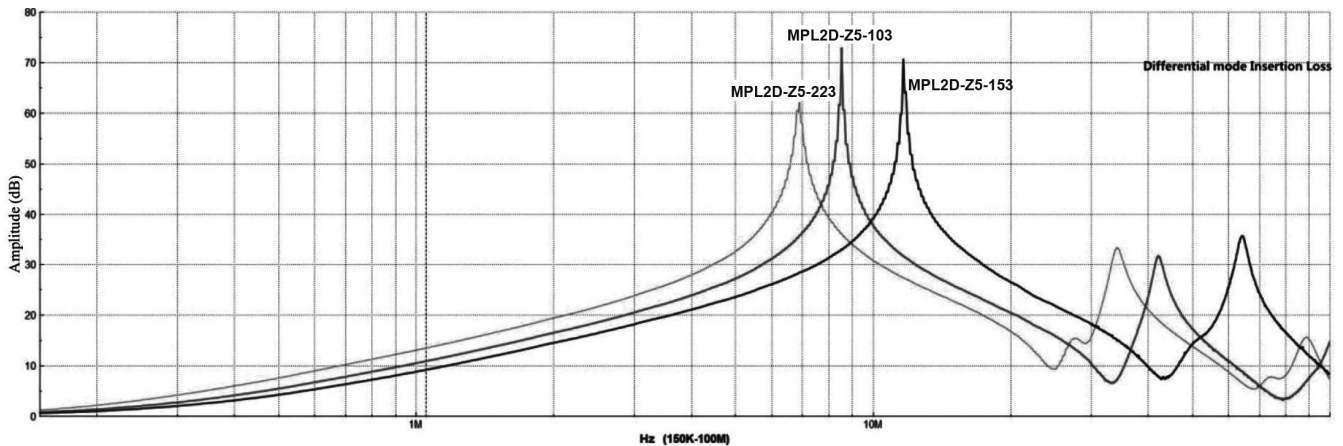
Part Number	Inductance (µH) (typ.)	Current (A) (Max.)	DCR (mΩ) (typ)	Weight (g) (typ)	Size (L×W×H)
MPL2D-30-222	2200×2	3	50×2	4.5	17×9.6×18
MPL2D-Z5-103	10000×2	0.5	500×2	4.5	17×9.6×18
MPL2D-30-102	1000×2	3	40×2	4.5	17×9.6×18
MPL2D-30-472	4700×2	3	70×2	4.5	17×9.6×18
MPL2D-Z5-153	15000×2	0.5	600×2	4.5	17×9.6×18
MPL2D-10-472	4700×2	1	140×2	4.5	17×9.6×18
MPL2D-10-222	2200×2	1	90×2	4.5	17×9.6×18
MPL2D-10-332	3300×2	1	100×2	4.5	17×9.6×18
MPL2D-10-102	1000×2	1	70×2	4.5	17×9.6×18
MPL2D-30-351	350×2	3	30×2	3.9	17×9.6×18

Newark.com/multicomp-pro
Farnell.com/multicomp-pro
sg.element14.com/b/multicomp-pro

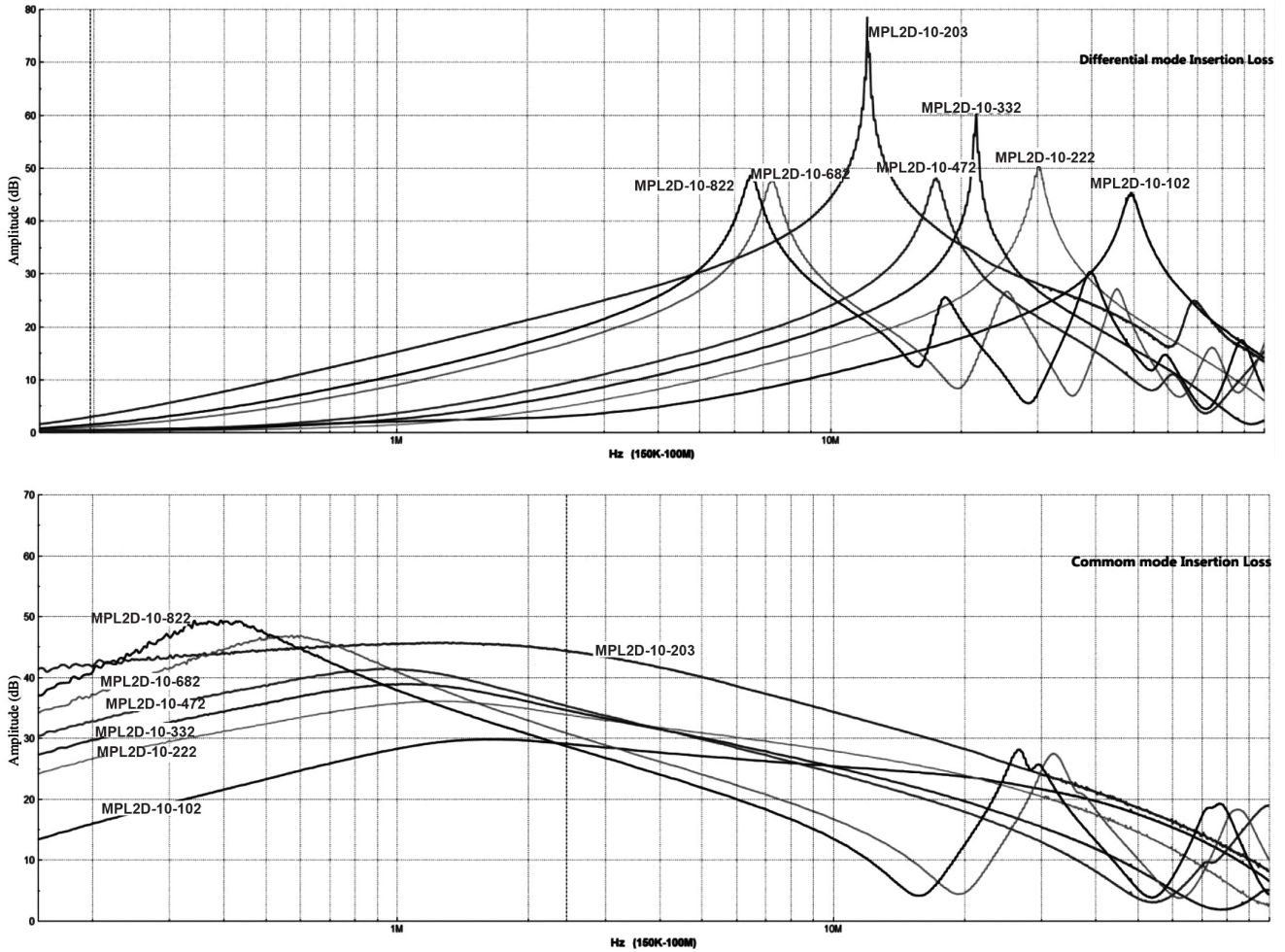
Part Number	Inductance (μH) (typ.)	Current (A) (Max.)	DCR (mΩ) (typ)	Weight (g) (typ)	Size (L×W×H)
MPL2D-Z5-223	22000×2	0.5	650×2	4.5	17×9.6×18
MPL2D-10-822	8200×2	1	180×2	6.5	19×11×23.5
MPL2D-10-682	6800×2	1	160×2	6.5	19×11×23.5
MPL2D-10-822	8200×2	1	180×2	6.5	19×11×23.5
MPL2D-A2-202	2000×2	12	145×2	25.2	26.5×25×16.5
MPL2D-60-402	4000×2	6	35×2	20	24×23.5×19
MPL2D-60-451	450×2	6	9×2	6.4	18×15×17
MPL2D-D0-040	4×2	40	2×2	30.9	36×28×20
MPL2D-10-203	20000×2	1	240×2	5.6	18×10×17.5
MPL2D-10-502	3500×2	1	220×2	3.4	15×7.8×18

Note: The Inductance of MPL2D-30-103, MPL2D-A2-202 are minimum value, others are typical value.

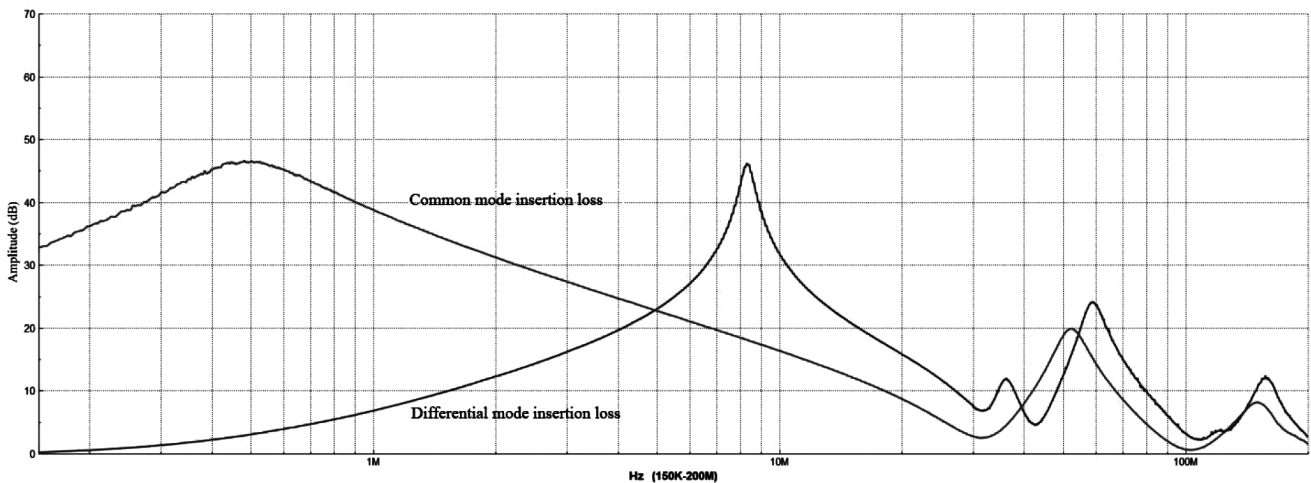
MPL2D-Z5-xxx Insertion Loss Specifications (reference value)



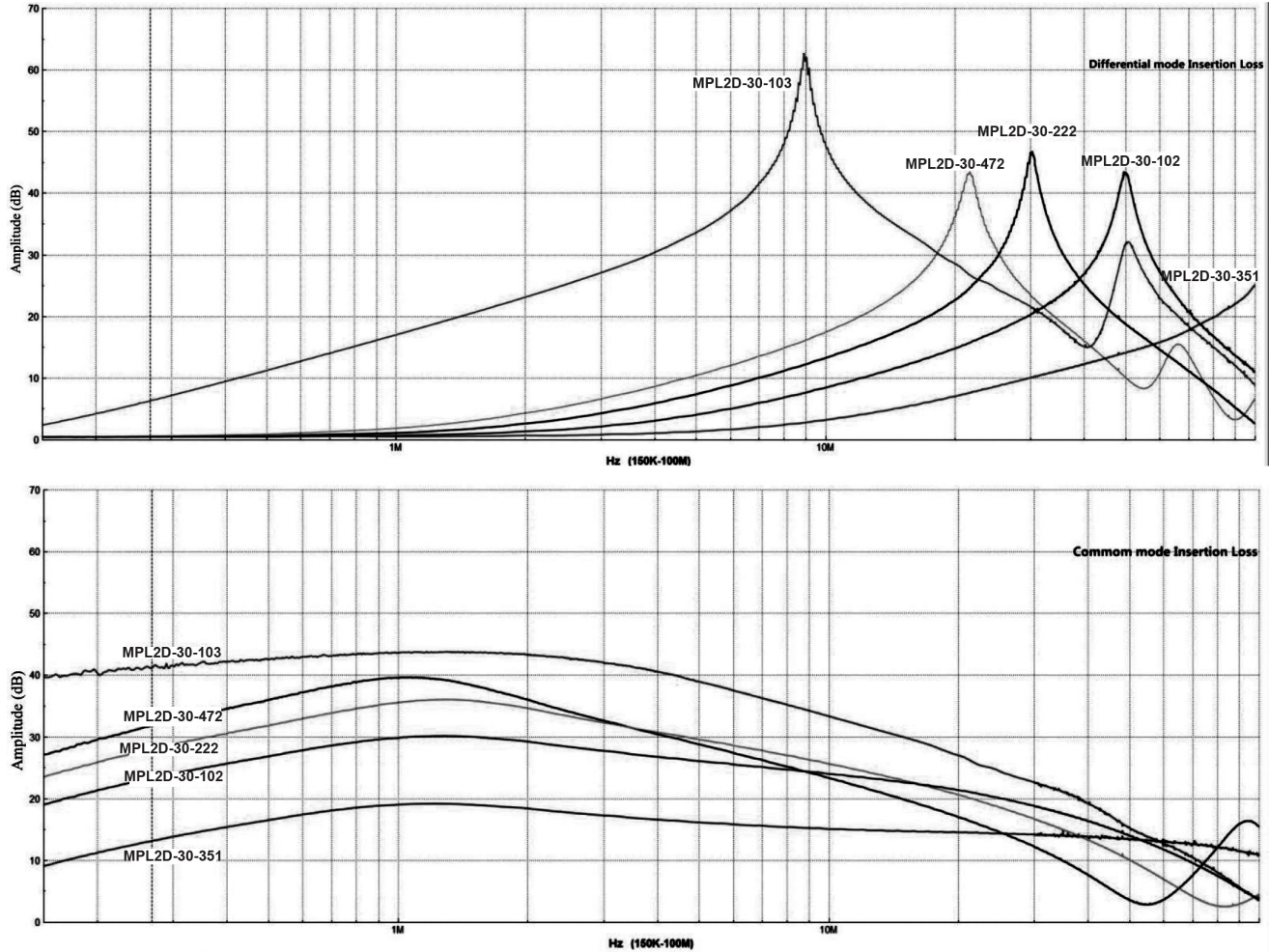
MPL2D-10-xxx Insertion Loss Specifications (reference value)



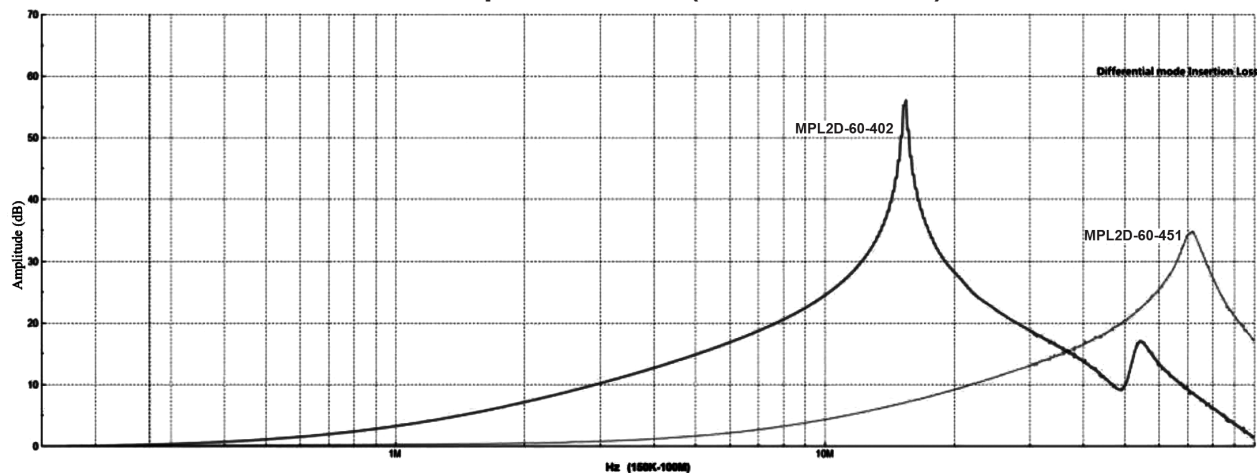
MPL2D-10-502 Insertion Loss Specifications (reference value)

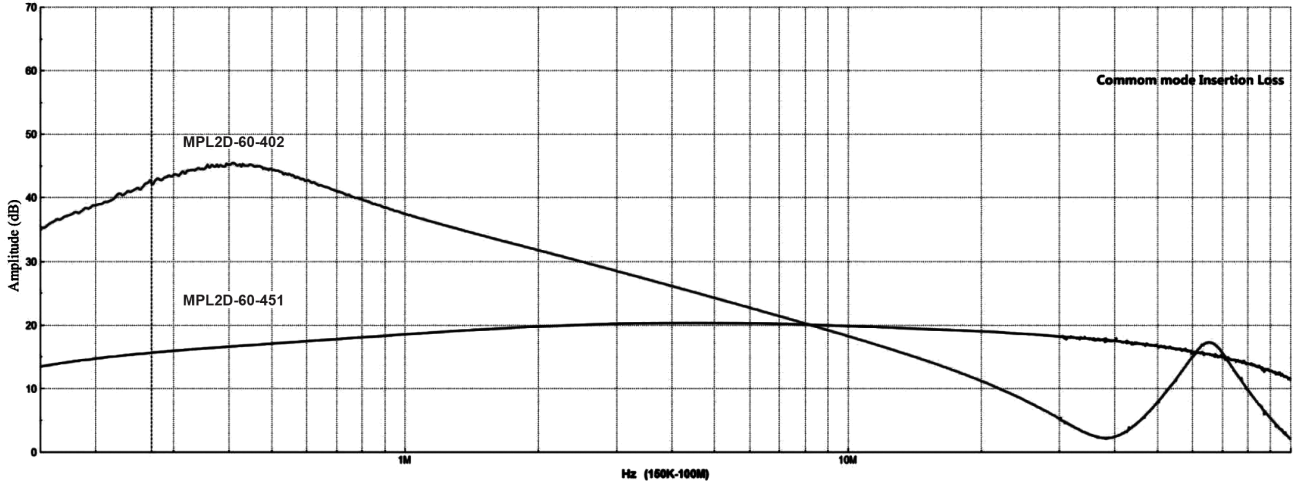


MPL2D-30-xxx Insertion Loss Specifications (reference value)

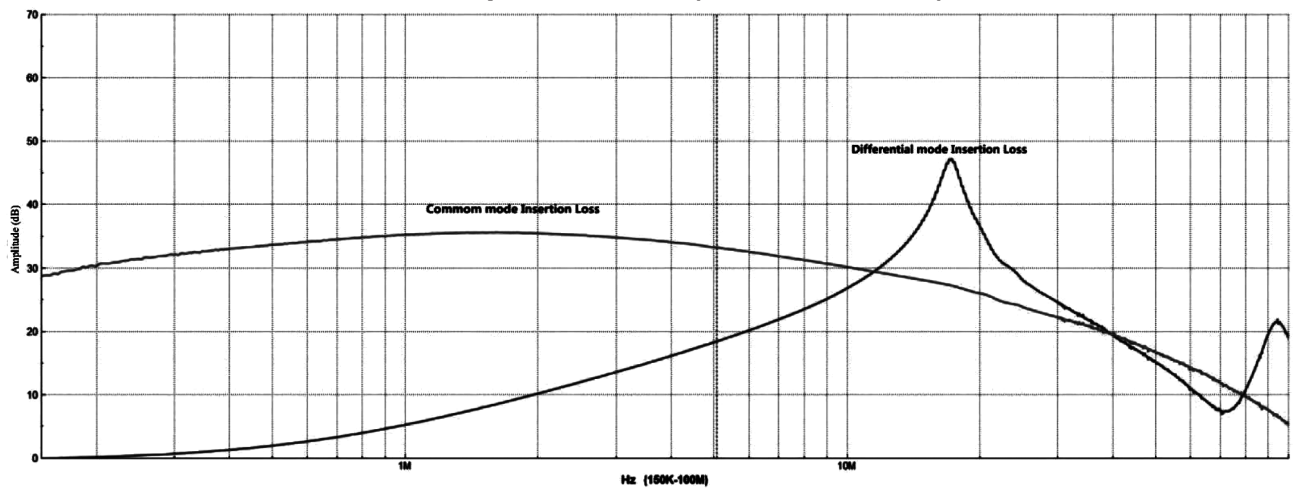


MPL2D-60-xxx Insertion Loss Specifications (reference value)

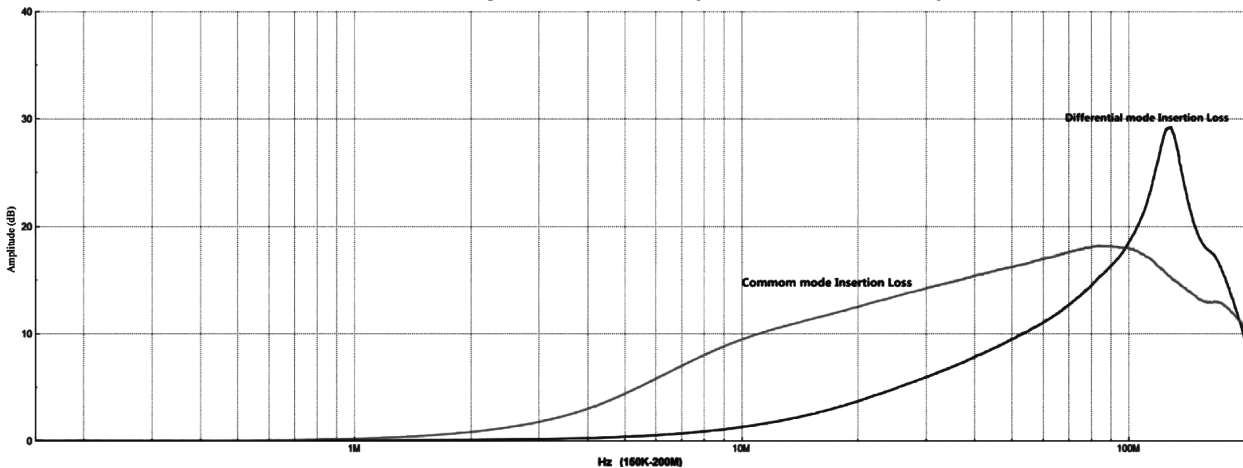




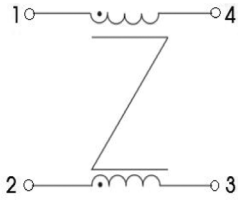
MPL2D-A2-xxx Insertion Loss Specifications (reference value)



MPL2D-D0-xxx Insertion Loss Specifications (reference value)



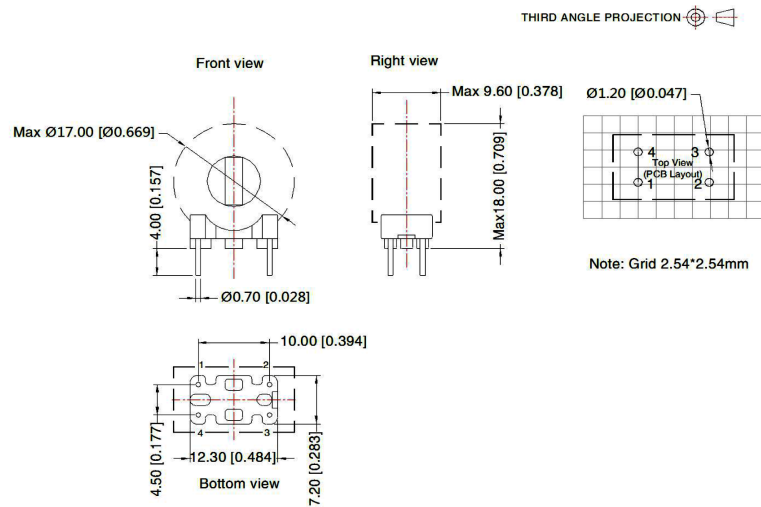
Pin Function



Diagram

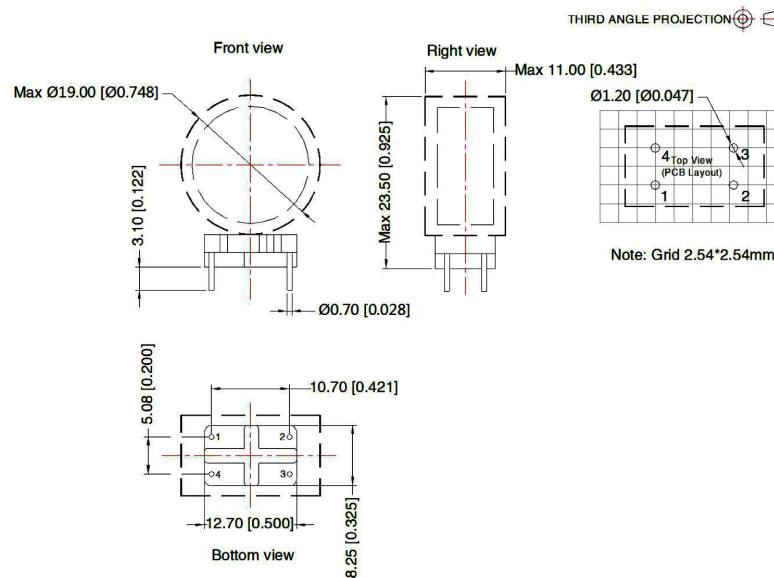
Reference Part Number

- MPL2D-30-222
- MPL2D-Z5-103
- MPL2D-30-102
- MPL2D-30-472
- MPL2D-Z5-153
- MPL2D-10-472
- MPL2D-10-222
- MPL2D-10-332
- MPL2D-10-102
- MPL2D-30-351
- MPL2D-Z5-223



Reference Part Number

- MPL2D-10-822
- MPL2D-10-682

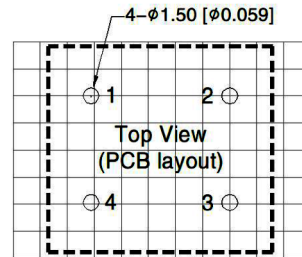
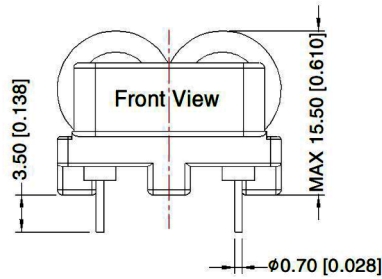


Pin Diameter Tolerances: ± 0.1 (± 0.004)
 General Tolerances: ± 0.5 (± 0.02)

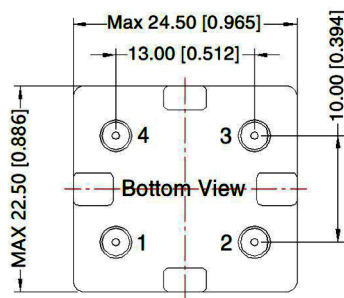
Dimensions : Millimetres (Inches)

Common Mode Chokes

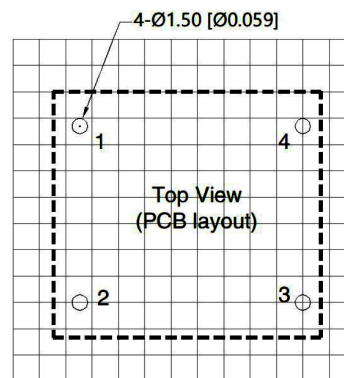
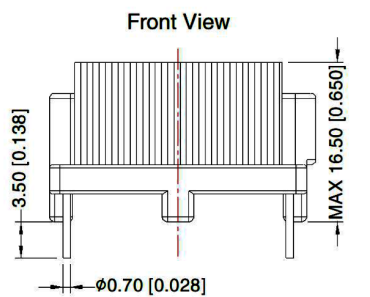
Reference Part Number
MPL2D-30-103



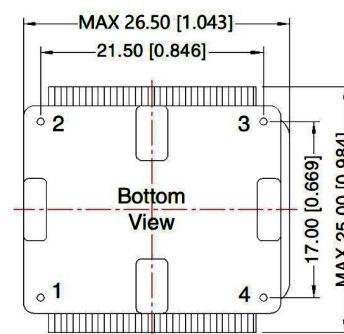
Note: Grid 2.54*2.54mm



Reference Part Number
MPL2D-A2-202



Note: Grid 2.54*2.54mm



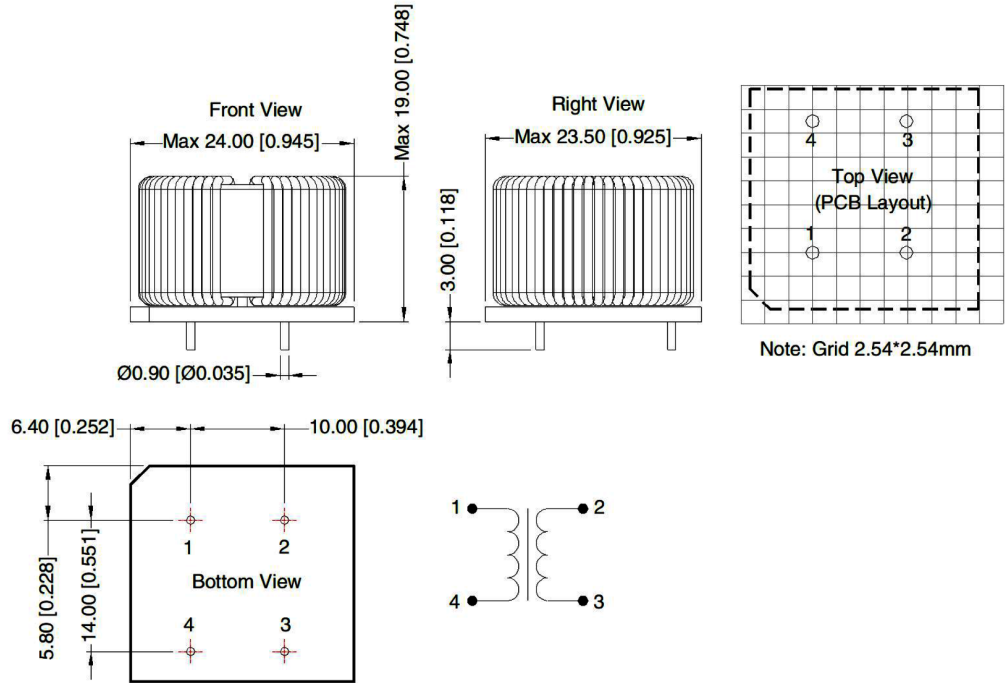
Pin Diameter Tolerances: ± 0.1 (± 0.004)
General Tolerances: ± 0.5 (± 0.02)

Dimensions : Millimetres (Inches)

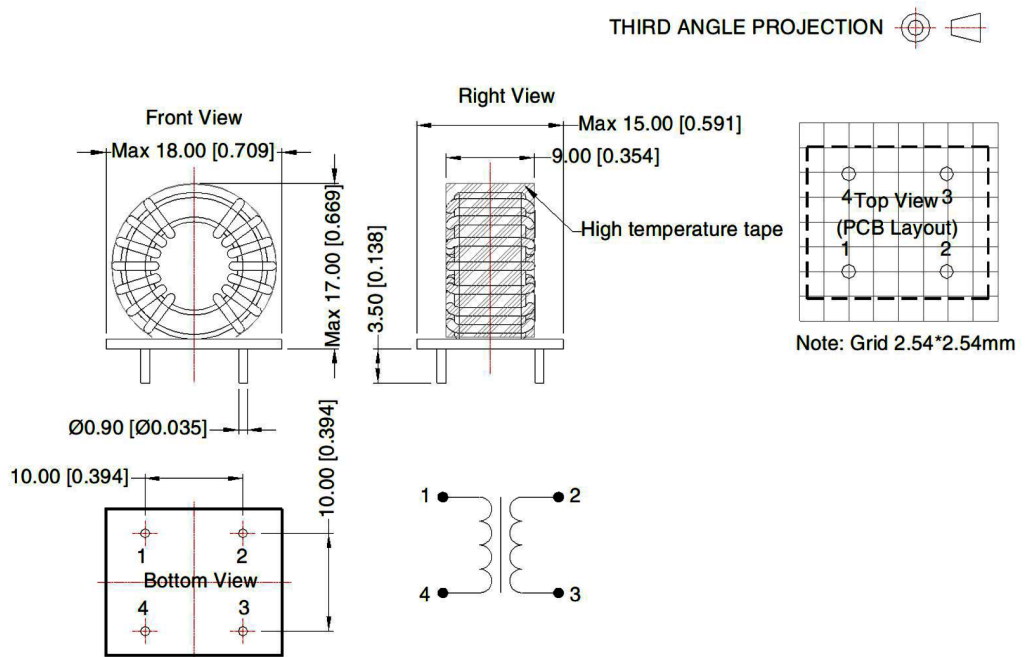
Newark.com/multicomp-pro
Farnell.com/multicomp-pro
sg.element14.com/b/multicomp-pro

Common Mode Chokes

Reference Part Number
MPL2D-60-402



Reference Part Number
MPL2D-60-451

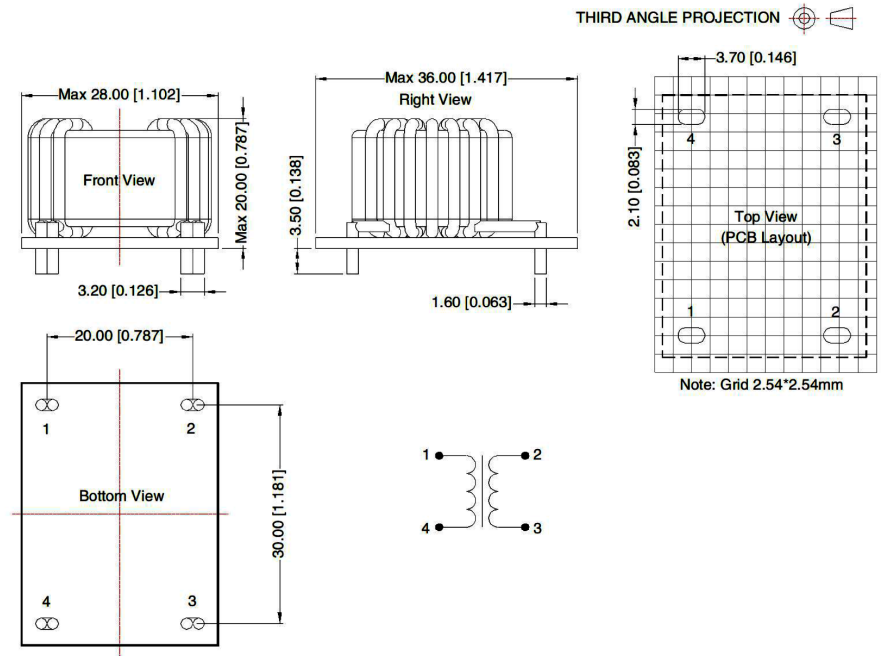


Pin Diameter Tolerances: ± 0.1 (± 0.004)
 General Tolerances: ± 0.5 (± 0.02)

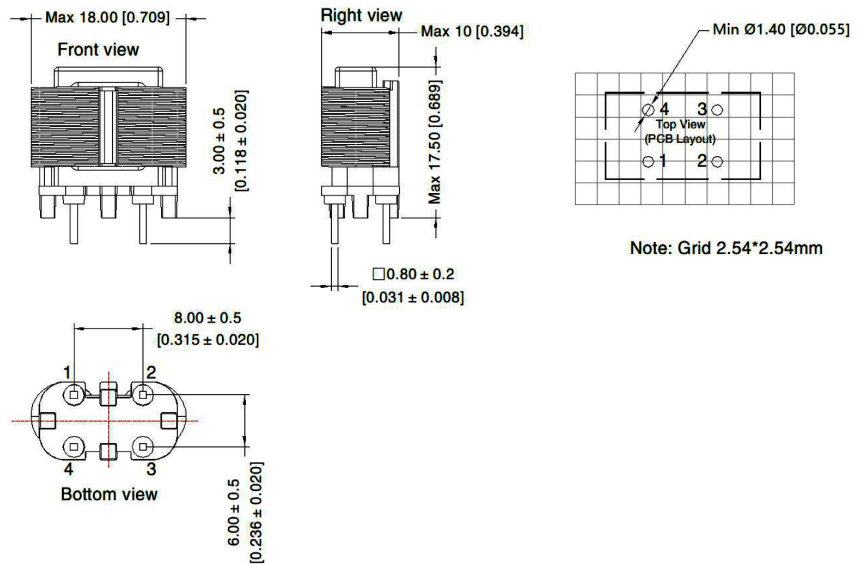
Dimensions : Millimetres (Inches)

Common Mode Chokes

Reference Part Number
MPL2D-D0-040



Reference Part Number
MPL2D-10-203

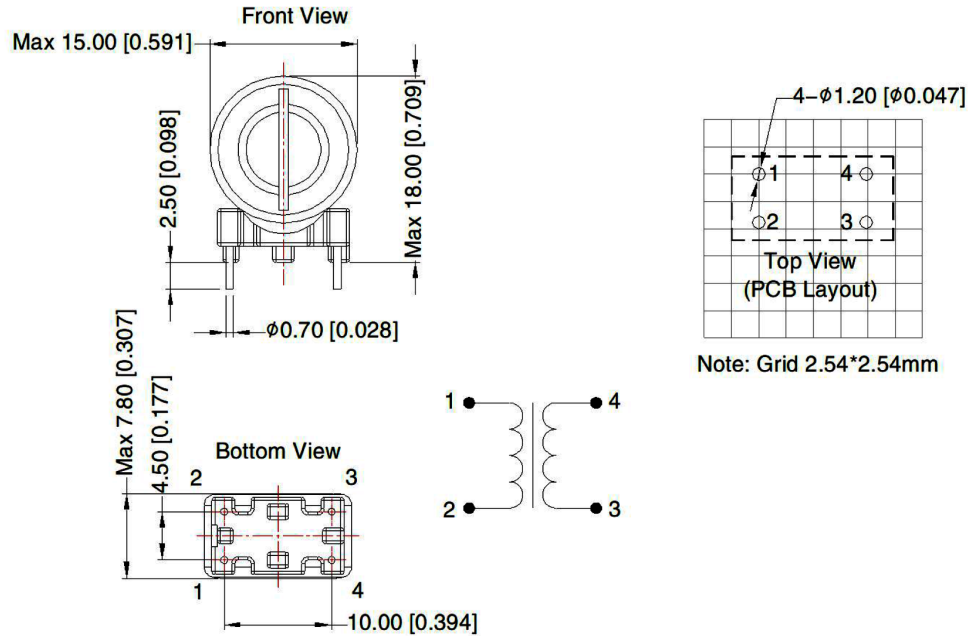


Pin Diameter Tolerances: ± 0.1 (± 0.004)
General Tolerances: ± 0.5 (± 0.02)

Dimensions : Millimetres (Inches)

Newark.com/multicomp-pro
Farnell.com/multicomp-pro
sg.element14.com/b/multicomp-pro

Reference Part Number
MPL2D-10-502



Pin Diameter Tolerances: ± 0.1 (± 0.004)
General Tolerances: ± 0.5 (± 0.02)

Dimensions : Millimetres (Inches)

Part Number Table

Description	Part Number	Description	Part Number
Common Mode Choke, 1000 μ H \times 2, 3A	MPL2D-30-222	Common Mode Choke, 1000 μ H \times 2, 1A	MPL2D-10-102
Common Mode Choke, 10000 μ H \times 2, 0.5A	MPL2D-Z5-103	Common Mode Choke, 350 μ H \times 2, 3A	MPL2D-30-351
Common Mode Choke, 1000 μ H \times 2, 3A	MPL2D-30-102	Common Mode Choke, 8200 μ H \times 2, 1A	MPL2D-10-822
Common Mode Choke, 4700 μ H \times 2, 3A	MPL2D-30-472	Common Mode Choke, 22000 μ H \times 2, 0.5A	MPL2D-Z5-223
Common Mode Choke, 15000 μ H \times 2, 0.5A	MPL2D-Z5-153	Common Mode Choke, 10000 μ H \times 2, 3A	MPL2D-30-103
Common Mode Choke, 4700 μ H \times 2, 1A	MPL2D-10-472	Common Mode Choke, 4000 μ H \times 2, 6A	MPL2D-60-402
Common Mode Choke, 2200 μ H \times 2, 1A	MPL2D-10-222	Common Mode Choke, 450 μ H \times 2, 6A	MPL2D-60-451
Common Mode Choke, 3300 μ H \times 2, 1A	MPL2D-10-332	Common Mode Choke, 6800 μ H \times 2, 1A	MPL2D-10-682
Common Mode Choke, 20000 μ H \times 2, 1A	MPL2D-10-203	Common Mode Choke, 4 μ H \times 2, 40A	MPL2D-D0-040
Common Mode Choke, 2000 μ H \times 2, 12A	MPL2D-A2-202	Common Mode Choke, 3500 μ H \times 2, 1A	MPL2D-10-502

Important Notice : This data sheet and its contents (the "Information") belong to the members of the AVNET group of companies (the "Group") or are licensed to it. No licence is granted for the use of it other than for information purposes in connection with the products to which it relates. No licence of any intellectual property rights is granted. The Information is subject to change without notice and replaces all data sheets previously supplied. The Information supplied is believed to be accurate but the Group assumes no responsibility for its accuracy or completeness, any error in or omission from it or for any use made of it. Users of this data sheet should check for themselves the Information and the suitability of the products for their purpose and not make any assumptions based on information included or omitted. Liability for loss or damage resulting from any reliance on the Information or use of it (including liability resulting from negligence or where the Group was aware of the possibility of such loss or damage arising) is excluded. This will not operate to limit or restrict the Group's liability for death or personal injury resulting from its negligence. Multicomp Pro is the registered trademark of Premier Farnell Limited 2019.

Newark.com/multicomp-pro
Farnell.com/multicomp-pro
sg.element14.com/b/multicomp-pro