

RoHS
Compliant



Description

These Stud Type Circuit Breaker are a cost-effective method to ensure repeatable, reliable circuit protection. Meant to assist with systems that may be exposed frequently to overcurrents, or where replacing fuses may not be feasible, these products are critical components for protecting wiring, electrical equipment, and vehicle subsystems. Available in multiple current ratings, our Stud Type Circuit Breaker are a flexible solution to accommodate many applications.

Applications

- Suitable for marine, RV Car, ATV, winch, electric anchor, Battery charger, jump starter, Trolling motor, pressure washer etc.

Features and Benefits

- Compliances SAE J553
- Materials UL 94V-0 Thermoplastic body

Specification

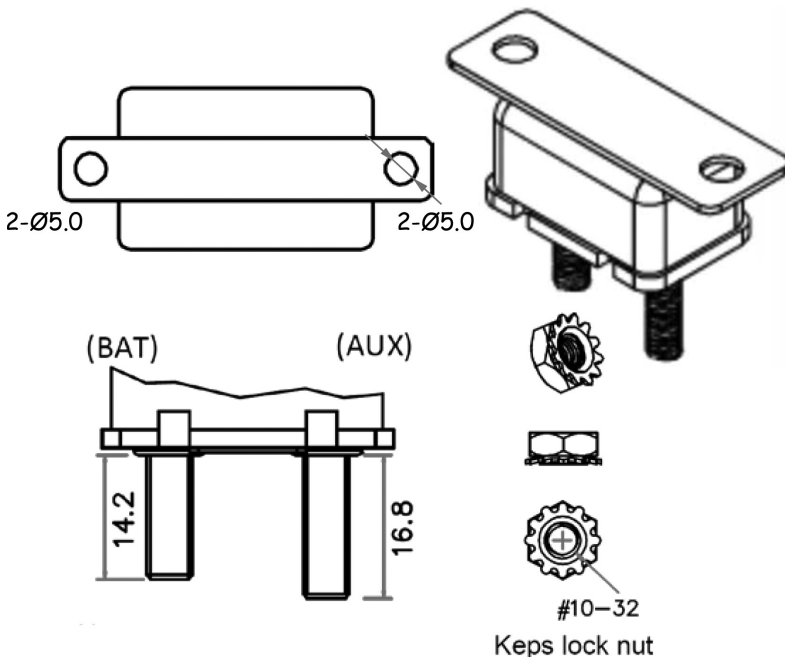
Operating temperature	: -10°C to +60°C
Storage temperature	: -40°C to +100°C
Dielectric Strength	: > 1,500V AC/min.
Terminal Type	: #10-32 thread
Current rating range	: 4~50A
Automotive Type	: Manual- Reset; 12V DC Automotive Type III
Breaking Capacity	4 times rated current

Stud Type Circuit Breaker T1

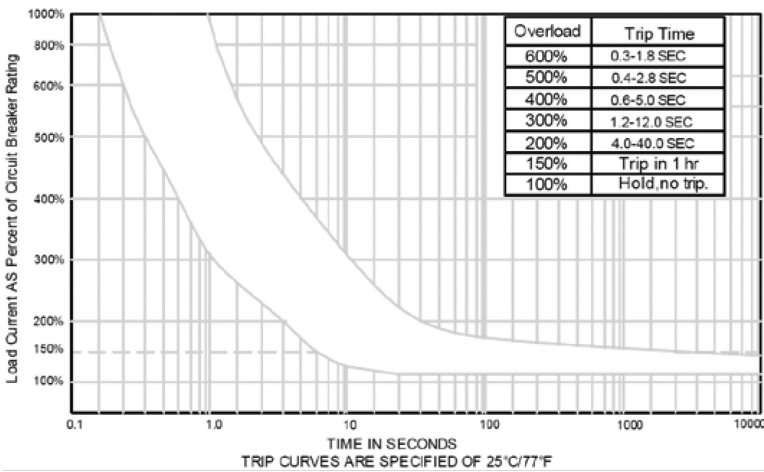
- Input voltage rating : 12V DC
- Manual- Reset : 12V DC Automotive Type III
- Operating Ambient Temperature : -10°C to +60°C
- Materials : UL 94V-0 Thermoplastic body
- Terminal Type : #10-32 thread

Thermal Circuit Breaker

multicomp PRO



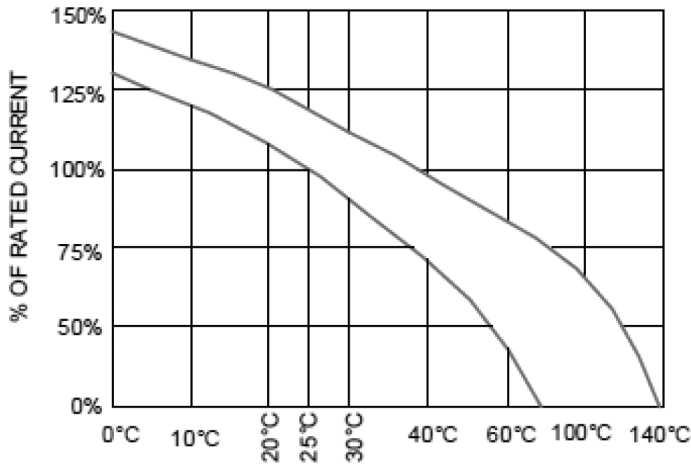
AR Series 3-50A Trip Curves



Description	Amps	Rated voltage	Part Number
Thermal Circuit Breaker	5A	12V DC	MP013194
	8A		MP013195
	10A		MP013196
	15A		MP013197
	20A		MP013198
	25A		MP013199
	30A		MP013200
	40A		MP013201
50A	MP013202		

multicomp PRO

Temperature Derating Curves



The time/current characteristic curve depends on the ambient temperature prevailing. In order to eliminate nuisance tripping. Please multiply the current breaker current ratings by the derating factor shown below.

Ambient Temperature	-10°C	0°C	10°C	25°C	40°C	50°C	60°C
Multiplication Factor	1.25	1.15	1.05	1	0.9	0.8	0.7

Important Notice : This data sheet and its contents (the "Information") belong to the members of the AVNET group of companies (the "Group") or are licensed to it. No licence is granted for the use of it other than for information purposes in connection with the products to which it relates. No licence of any intellectual property rights is granted. The Information is subject to change without notice and replaces all data sheets previously supplied. The Information supplied is believed to be accurate but the Group assumes no responsibility for its accuracy or completeness, any error in or omission from it or for any use made of it. Users of this data sheet should check for themselves the Information and the suitability of the products for their purpose and not make any assumptions based on information included or omitted. Liability for loss or damage resulting from any reliance on the Information or use of it (including liability resulting from negligence or where the Group was aware of the possibility of such loss or damage arising) is excluded. This will not operate to limit or restrict the Group's liability for death or personal injury resulting from its negligence. Multicomp Pro is the registered trademark of Premier Farnell Limited 2019.