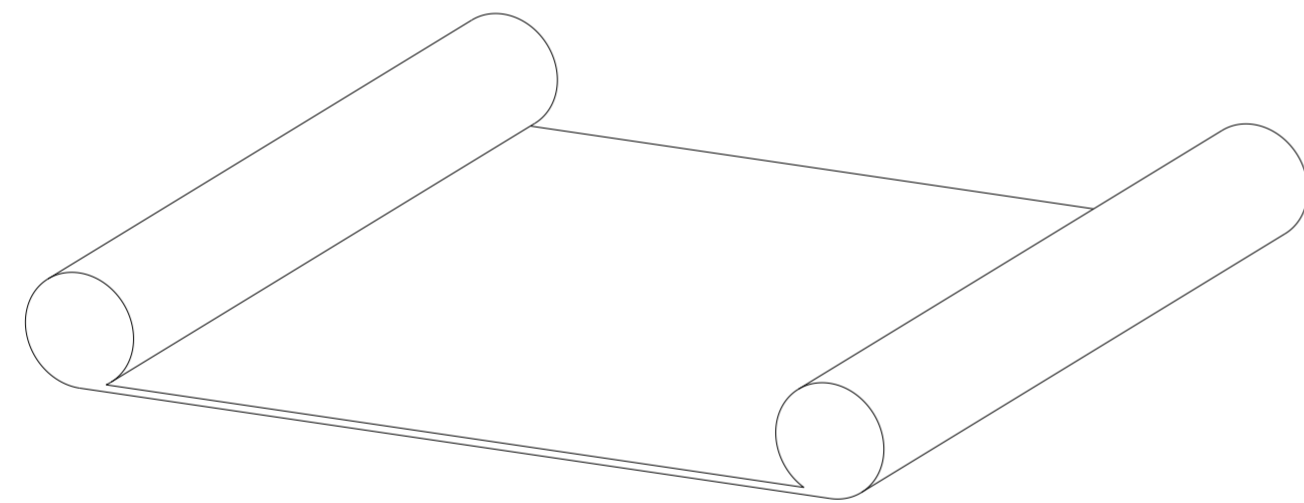
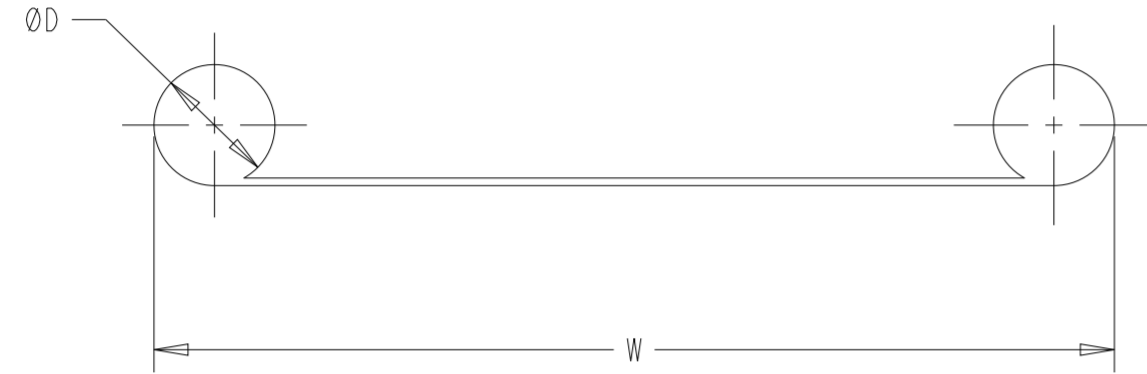


REVISIONS

P	LTR	DESCRIPTION	DATE	DWN	APVD
	A	NEW DRAWING	01AUG2022	BDA	DH



ISOMETRIC VIEW (NTS)

6.4	25.4	25000	154-0064-0254	TIN PLATED COPPER CLAD STEEL (TCS)	2423863-1
4.8	25.4	25000	154-0048-0254	TIN PLATED COPPER CLAD STEEL (TCS)	2423862-1
3.2	25.4	25000	154-0032-0254	TIN PLATED COPPER CLAD STEEL (TCS)	2423861-1
6.4	25.4	25000	152-0064-0254	MONEL ALLOY 400 WIRE (MON)	2423860-1
4.8	25.4	25000	152-0048-0254	MONEL ALLOY 400 WIRE (MON)	2423859-1
3.2	25.4	25000	152-0032-0254	MONEL ALLOY 400 WIRE (MON)	2423858-1
6.4	25.4	250	154-0064-0254-S	TIN PLATED COPPER CLAD STEEL (TCS)	2423808-1
4.8	25.4	250	154-0048-0254-S	TIN PLATED COPPER CLAD STEEL (TCS)	2423806-1
3.2	25.4	250	154-0032-0254-S	TIN PLATED COPPER CLAD STEEL (TCS)	2423805-1
6.4	25.4	250	152-0064-0254-S	MONEL ALLOY 400 WIRE (MON)	2423804-1
4.8	25.4	250	152-0048-0254-S	MONEL ALLOY 400 WIRE (MON)	2423803-1
3.2	25.4	250	152-0032-0254-S	MONEL ALLOY 400 WIRE (MON)	2423802-1
ØD±0.8	W±1.5	L	ALIAS PART NUMBER	MATERIAL	PART NUMBER

THIS DRAWING IS A CONTROLLED DOCUMENT.

DWN 01AUG2022
 BASAVARAJA D A
 CHK 01AUG2022
 B SELVAPANDIAN
 APVD 01AUG2022
 D HEMMINGS



DIMENSIONS:	TOLERANCES UNLESS OTHERWISE SPECIFIED:
mm	0 PLC ±
	1 PLC ±
	2 PLC ±
	3 PLC ±
	4 PLC ±
	ANGLES ±
	FINISH -

PRODUCT SPEC -
 APPLICATION SPEC -
 WEIGHT -

NAME	SIZE	CAGE CODE	DRAWING NO	RESTRICTED TO
15X-TWIN ROUND WITH FIN SOLID KNITTED WIRE MESH	A2	00779	G-TWIN-ROUND-FIN-SKW-MSH	-

MATERIAL SEE TABLE

CUSTOMER DRAWING SCALE 5:1 SHEET 1 OF 1 REV A