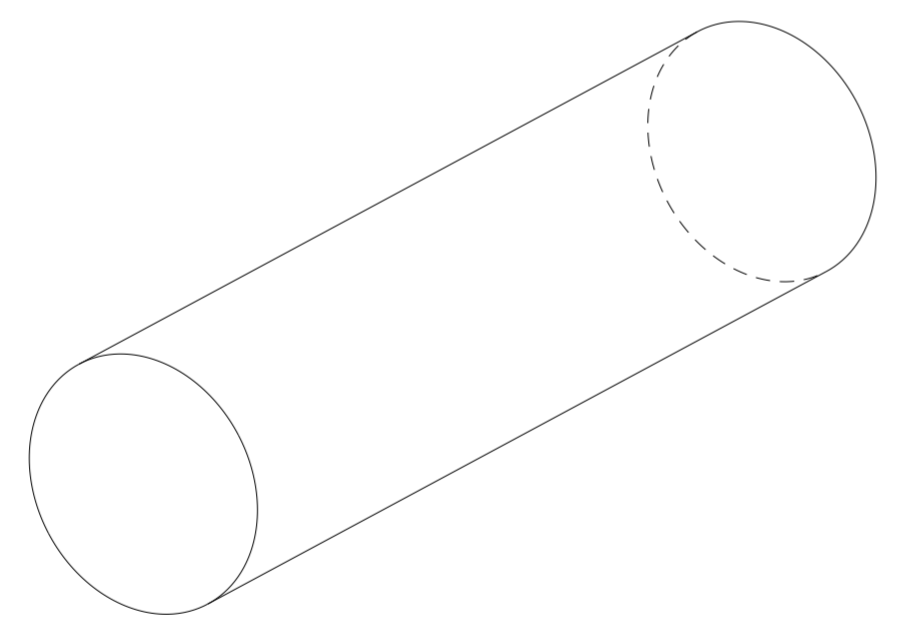
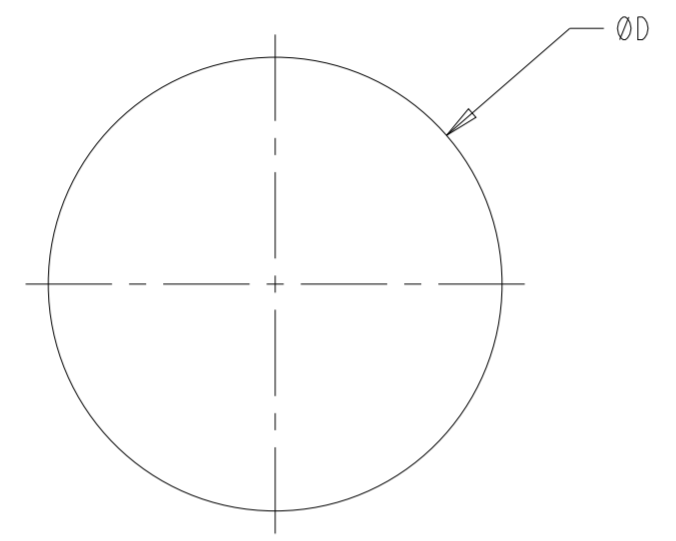


REVISIONS				
P	LTR	DESCRIPTION	DATE	APVD
	A	NEW DRAWING	01AUG2022	BDA DH



ISOMETRIC VIEW (NTS)

25000	4.8	STAINLESS STEEL (S/S+)	116-0048	2423838-1
25000	3.2	STAINLESS STEEL (S/S+)	116-0032	2423837-1
25000	2.4	STAINLESS STEEL (S/S+)	116-0024	2423836-1
25000	4.8	TIN PLATED COPPER CLAD STEEL (TCS)	114-0048	2423835-1
25000	3.2	TIN PLATED COPPER CLAD STEEL (TCS)	114-0032	2423834-1
25000	2.4	TIN PLATED COPPER CLAD STEEL (TCS)	114-0024	2423833-1
25000	4.8	MONEL ALLOY 400 WIRE (MON)	112-0048	2423832-1
25000	3.2	MONEL ALLOY 400 WIRE (MON)	112-0032	2423831-1
25000	2.4	MONEL ALLOY 400 WIRE (MON)	112-0024	2423830-1
250	4.8	STAINLESS STEEL (S/S+)	116-0048-S	2423782-1
250	3.2	STAINLESS STEEL (S/S+)	116-0032-S	2423781-1
250	2.4	STAINLESS STEEL (S/S+)	116-0024-S	2423780-1
250	4.8	TIN PLATED COPPER CLAD STEEL (TCS)	114-0048-S	2423779-1
250	3.2	TIN PLATED COPPER CLAD STEEL (TCS)	114-0032-S	2423778-1
250	2.4	TIN PLATED COPPER CLAD STEEL (TCS)	114-0024-S	2423777-1
250	4.8	MONEL ALLOY 400 WIRE (MON)	112-0048-S	2423776-1
250	3.2	MONEL ALLOY 400 WIRE (MON)	112-0032-S	2423774-1
250	2.4	MONEL ALLOY 400 WIRE (MON)	112-0024-S	2423773-1
L	ØD±0.8	MATERIAL	ALIAS PART NUMBER	PART NUMBER

THIS DRAWING IS A CONTROLLED DOCUMENT.		DWN BASAVARAJA D A 01AUG2022	TE Connectivity	
DIMENSIONS: mm		CHK B SELVAPANDIAN 01AUG2022		
		APVD D. HEMMINGS 01AUG2022	NAME 11X - ROUND SOLID KNITTED WIRE MESH	
TOLERANCES UNLESS OTHERWISE SPECIFIED: 0 PLC ± 1 PLC ± 2 PLC ± 3 PLC ± 4 PLC ± ANGLES ±		PRODUCT SPEC -	SIZE A2	CAGE CODE 00779
MATERIAL SEE TABLE		FINISH -	DRAWING NO ROUND-KNITTED-MESH	RESTRICTED TO -
CUSTOMER DRAWING			SCALE 25:1	SHEET 1 OF 1