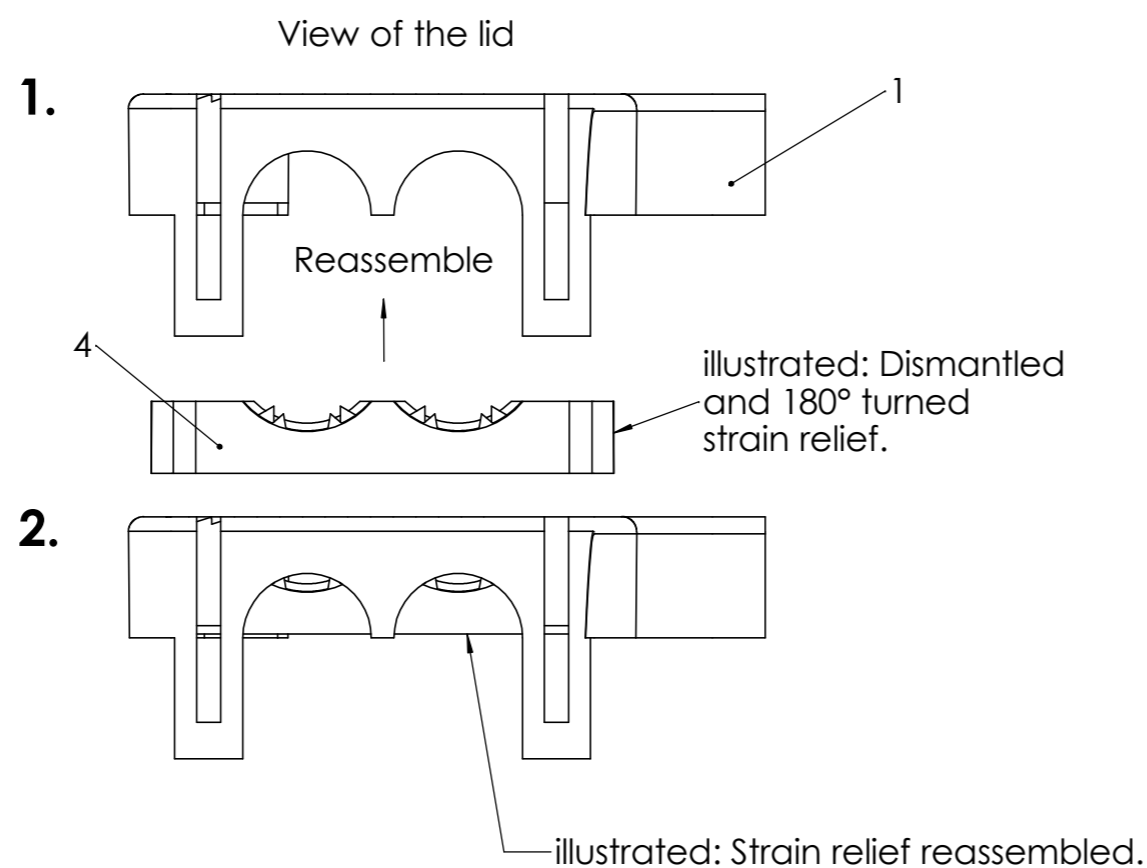
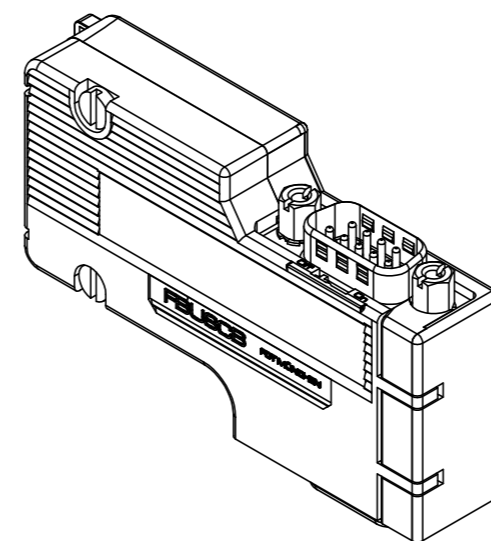


**Optional application
 for smaller CAN-Cable diameters ($\phi 4,5-5,0\text{mm}$)**



For CAN- cable diameters of $\phi 4,5-5,0\text{mm}$ the strain relief in the lid must be dismantled by screw driver and reassembled again with the strain relief turned by 180° with the springs dismantled.



Delivery status:
 -Screws no. 6 turned out
 -Switch no. 5 at position "OFF"
 -Bus Connector with instruction leaflet packed in carton
 -Information for PCB assembly see drawing:
 PCB assembly-FBUS_B-bestückt

No.	Sf.	Part	Type Description/Material	Surface plating/Colour/Class
1	1	FBUS-lid	Plastic	magenta
2	1	FBUS-base	Plastic	magenta
3	1	Fixing element	Plastic	magenta
4	2	Strain relief	Plastic	nickel plated
5	1	Switch lever	Plastic	black
6	2	Screw	Steel	zinc plated
7	2	Female screw lock	Brass	nickel plated
8	2	Toothed locked washer	Steel	nickel plated
9	1	PCB-FBUS_B-assembly		

Measurement without tolerance occ. to ISO 2768-m		SCALE 2:1	TITLE
DATE		NAME	CANBus-Stecker FBUSCB
DRAWN 07-03-2002		A Denzinger	
CHECKED 23-01-2003		okappla	
2	23-01-2003	2 1212	DWG.NO.
1			FBUSCB
REV.	DATE	CH.-NO.	REPLACEMENT FOR: FBUSCB



CANBus-Stecker
FBUSCB

FBUSCB

REV.
2

PAGES 1