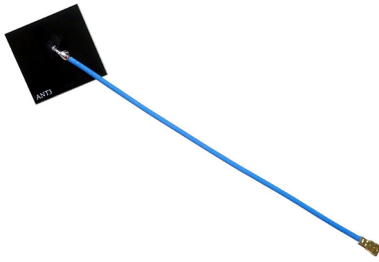


RoHS
Compliant



Application

- 5925~7125MHz in Smart Home, Smart Transportation and AR/VR System
- Device for external WIFI Unii 5G system

Specifications

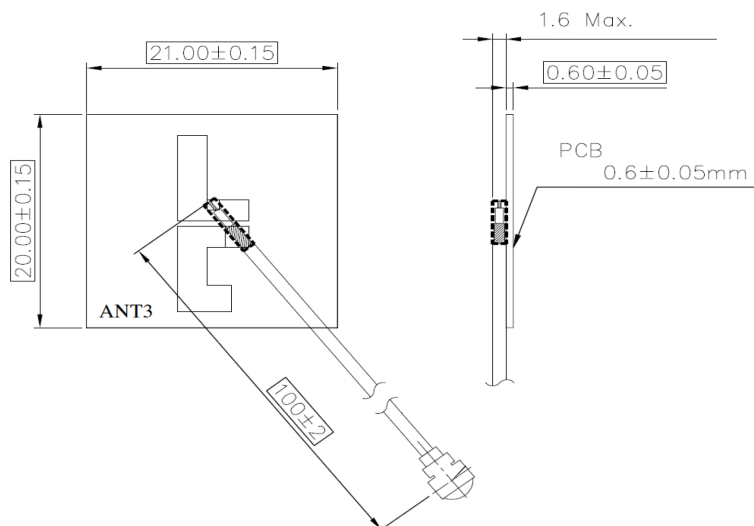
Electrical Characteristics

Frequency Range	: 5925 ~ 7125 MHz
Impedance	: 50Ω Nominal
VSWR	: 2 Max.
Radiation	: Omni-directional
Polarization	: Linear Vertical
Admotted Power	: 1W

Material

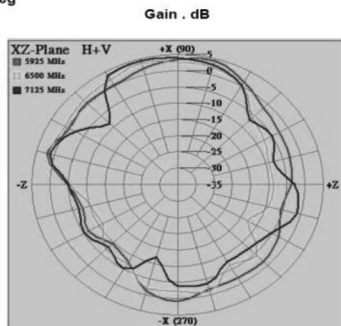
Antenna	: FR4 (Black)
Connector	: IPEX (Gold)
Cable	: Ø1.37 Cable; Blue

Diagram

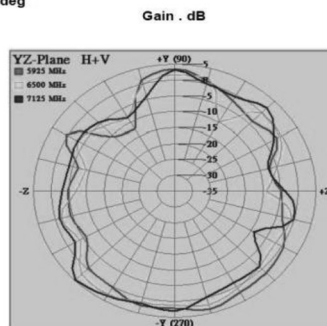


Dimensions : Millimetres

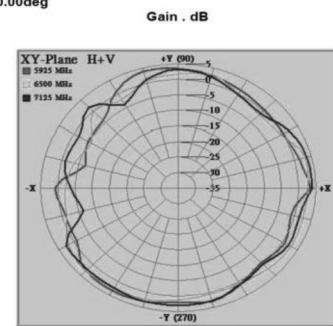
Phi=0.00deg



Phi=90.00deg



Theta=90.00deg



Part Number Table

Description	Part Number
RF Antenna, 5.925 to 7.125GHz, 5G / WiFi, 4.89dBi, 50Ω, I-Pex Connector, Linear Vertical	RFPCA212009IMMB901

Important Notice : This data sheet and its contents (the "Information") belong to the members of the AVNET group of companies (the "Group") or are licensed to it. No licence is granted for the use of it other than for information purposes in connection with the products to which it relates. No licence of any intellectual property rights is granted. The Information is subject to change without notice and replaces all data sheets previously supplied. The Information supplied is believed to be accurate but the Group assumes no responsibility for its accuracy or completeness, any error in or omission from it or for any use made of it. Users of this data sheet should check for themselves the Information and the suitability of the products for their purpose and not make any assumptions based on information included or omitted. Liability for loss or damage resulting from any reliance on the Information or use of it (including liability resulting from negligence or where the Group was aware of the possibility of such loss or damage arising) is excluded. This will not operate to limit or restrict the Group's liability for death or personal injury resulting from its negligence. Multicomp Pro is the registered trademark of Premier Farnell Limited 2019.