

规格书

SPECIFICATION FOR APPROVAL

电源

power supply

客 户/CUSTOMER:

产品描述/DESCRIPTION: 24V 0.5A

机种型号/OUR MODEL NO: 59RKPO-UK2400500CD-2

物料编号/SAMPLE NO :

日期/DATE: 2019.07.17

产品颜色/*SAMPLE COLOR*

Black (■)

White

客户确认/ <i>APPROVAL SIGNATURE</i>		
核准/ <i>APPROVED BY</i>	审核/ <i>CHECKED BY</i>	检测/ <i>TESTED BY</i>

制造商 <i>Manufacturer/</i>		
业务/ <i>SALES</i>	核准/ <i>APPROVED BY</i>	设计/ <i>DESIGNED BY</i>
蒋亮兵	李宽	何嘉琦

版本目录/Rev. List			
版本/Rev.	日期/Date	描述/ Description	制订/Design
A0	2019/7/17	新版本/New Rev.	

Table of contents

1、描述/ <i>DESCRIPTION</i>	3
2、输入特性/ <i>INPUT CHARACTERISTICS</i>	3
3、输出特性/ <i>OUTPUT CHARACTERISTICS</i>	4
4、保护功能/ <i>PROTECTION FUNCTION</i>	5
5、环境要求/ <i>ENVIRONMENTAL REQUIREMENT</i>	5~6
6、安全要求/ <i>SAFETY REQUIREMENT</i>	6
7、结构参数/ <i>MECHANICAL REQUIREMENT</i>	7
8、铭牌附图/ <i>LABEL</i>	7
9、线材/ <i>CORD</i>	8
10、包装说明/ <i>PACKING</i>	9

1、描述/ DESCRIPTION:

本规格书适应于59RKPO-UK2400500CD-2型号的 电源.

The purpose of the document is to specify the functional requirements of model 59RKPO-UK2400500CD-2 power supply .

2、输入特性/ INPUT CHARACTERISTICS:

2.1输入电压/ Input Voltage:

额定电压/ *Rated Voltage: 100-240Vac*

调整范围/ *Variation Range: 90-264Vac*

2.2输入频率/ Input Frequency:

额定频率/ *Rated Frequency: 50/60Hz.*

调整频率/ *Variation Frequency: 47-63Hz*

2.3输入电流/ Input Current:

当输入交流电压为额定值的下限电压负载满载时, 最大输入交流电流0.3A.

0.3Amps max At any input voltage and rated, DC output rated load.

2.4浪涌电流/ Inrush Current:

当输出为额定负载, 环境温度为25°C, 输入240Vac冷态起机时的最大浪涌电流小于20A.

20 Amps Max. Cold start at 240Vac input, with rated load and 25°C ambient.

0.25mA漏电流/ Ac Leakage Current:

当输入电压240Vac时, 最大漏电流为0.25mA.

0.25mA Max. At 240Vac input.

3、输出特性/*OUTPUT CHARACTERISTICS*

3.1输出功率(Power Output);

电压	最小负载	额定负载	输出功率
<i>Voltage</i>	<i>Min. Load</i>	<i>Rated. Load</i>	<i>Output Power</i>
24Vdc	0.1A	0.5A	12W

3.2负载特性, 调整率/Combined Load/Line Regulation

电压	最小电压	最大电压	线性调整	负载调整
<i>Voltage</i>	<i>Min. Voltage</i>	<i>Max. Voltage</i>	<i>Line Regulation</i>	<i>Load Regulation</i>
24Vdc	22.8V	25.2V	±1%	±5%

3.3纹波和噪音*Ripple and Noise*:

测试条件: 在额定电压及额定负载条件下, 使用示波器带宽为20MHz连接到电源的输出端, 同时输出端并联一个47uF的电解电容和一个0.1uF的瓷片电容.

Under nominal voltage and nominal load, the ripple and noise are as follows when measure with Max. Bandwidth of 20MHz and Parallel 47uF/0.1uF, crossed connected at testing point.

电压	最大纹波/最大噪音
<i>Voltage</i>	<i>Ripple and Noise(Max.)</i>
+12Vdc	300mV p-p

3.4启动延迟时间/*Turn on delay time*:

当输入115Vac和输出最大负载时, 最大启动时间为3S.

3Second Max. at 115Vac input and output Max. Load.

3.5上升时间/*Rise time*:

当输入115Vac和输出最大负载时最大时间为40 mS.

40 mS Max. at 115Vac input and output Max Load.

3.6保持时间/*Hold up time*:

当输入115Vac 和输出最大负载时, 最小保持时间为5 mS .

5 mS Min. at 115Vac input and output Max. Load.

3.7效率/*Efficiency*:

当115/230Vac输入电压时, 满载效率, 最小82.96%。

82.96% Min, At 115/230Vac input voltage, full load calculation

4、保护功能/PROTECTION FUNCTION

4.1过流保护/*Over current Protection:*

过流故障排除后,电源将自动恢复正常工作.

The power supply will be auto recovered when over current faults remove.

4.2过压保护/*Over Voltage Protection:*

当输出电压超过额定电压的120%~170%时,电源将保护,故障排除后能恢复正常工作.

The power supply will auto recovered when faults remove 120%~170%.

4.3输出短路保护/*Output short circuit protection:*

当输出负载短路时,电源将保护,故障排除后能恢复正常工作.

When the output load short-circuit, the power supply will protect, troubleshooting can resume normal work.

5、环境要求/ENVIRONMENTAL REQUIREMET:

5.1 工作温度/*Operating Temperature:*

0°C-40°C, 满载, 正常工作.

0°C to 40°C, Full load, Normal operation.

5.2 储藏温度/*Storage Temperature: -10°C to 80°C*

带外壳/*With package*

5.3工作湿度/*Relative Humidity:*

5%(0°C)~90%(40°C), 72小时, 满载, 正常工作.

5%(0°C)~90%(40°C)RH, 72Hrs, Full load, Normal operating.

5.4 振动/*Vibration:*

1. 测试标准: 国际电工电子委员会

Operating: IEC 721-3-3 3M3

5~9Hz, A=1.5mm

加速度 (*9~200Hz, Acceleration 5m/S²*)

2. 运输/*Transportation:*

IEC 721-3-2 2M2

5~9Hz, A=3.5mm

9~200Hz, 加速度*Acceleration=5m/S²*

200~500Hz, 加速度*Acceleration=15m/S²*

3. 轴向振动/*Axes, 10 cycles per axis.*

在测试过程中不能出现永久性的损坏.

No permanent damage may occur during testing.

在电源开启和关闭后, 样机能够恢复到最初条件.

The SAMPLE has to restore to its original situation after power off/on..

6、安全要求/*SAFETY REQUIREMENT:*

6.1 安全: 符合标准 TUV/GS CE

Safety: accord with TUV/GS CE

6.2 高压/*DIELECTRIC STRENGTH Hi -Pot:*

初级对次级/*Primary to secondary: 3000Vac5mA/3S for type test.*

6.3 绝缘抗阻/*Insulation resistance:*

初级对次级/*Primary to secondary: 10M Ω min at 500V DC.*

6.4 EMI 标准/*EMI STANDARD*

Meets the Limits of/测试符合

<1>. Fcc part15

<2>. EN550 15

7、 结构参数/MECHANICAL REQUIREMENT:

7.1 外壳/Enclosure:

外壳尺寸: (单位MM) L 110 x W 52.5 x H 38

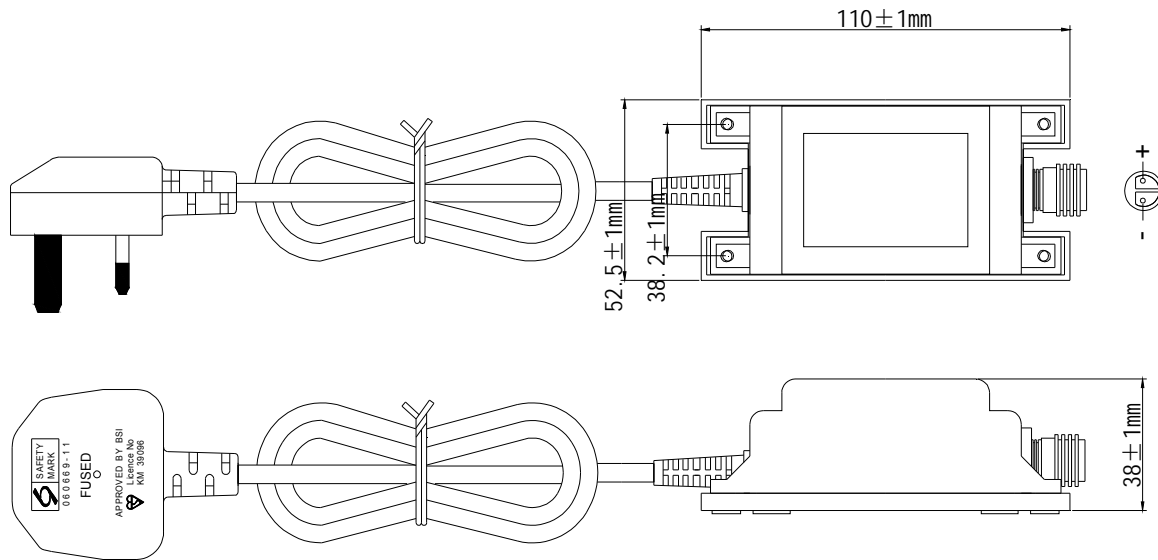
The power supply size: L 110 x W 52.5 x H 38

7.2 输入: BS插头 + 1.5米 H05RN-F 2*1.0mm²

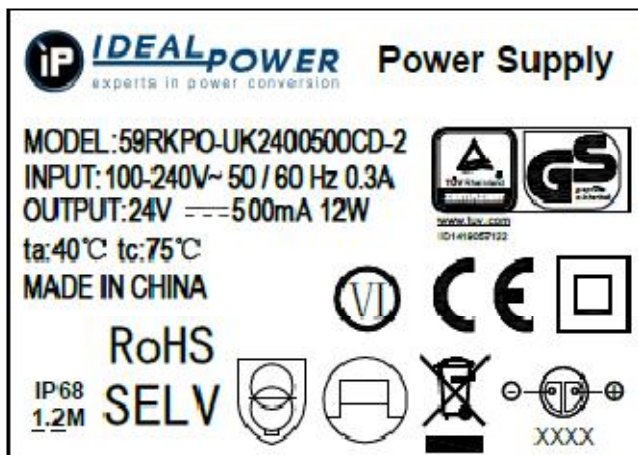
Input: BS Plug + 1.5米 H05RN-F 2*1.0mm²

7.3 输出: 防水母座

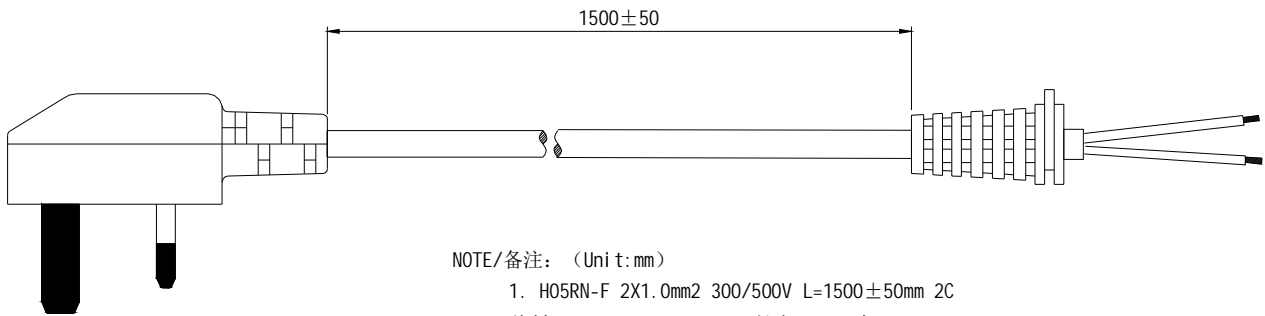
Output: Waterproof Connector



8、 铭牌/LABEL



9、线材/CORD



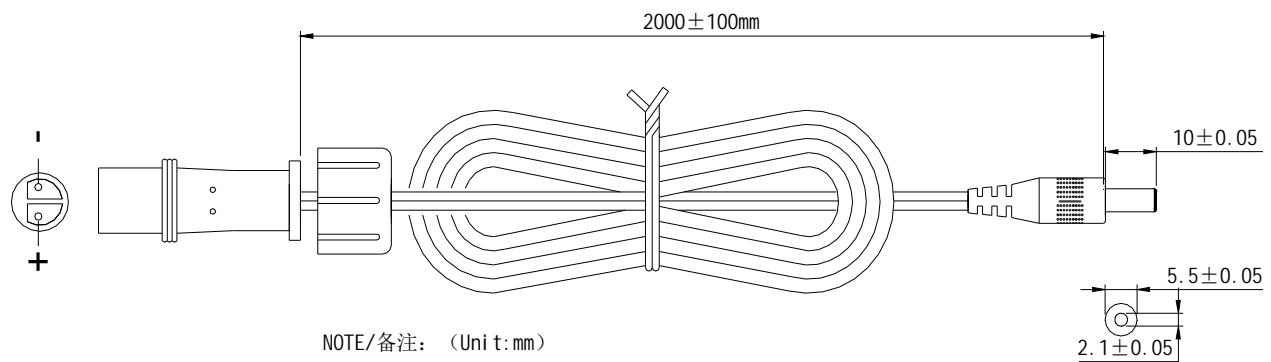
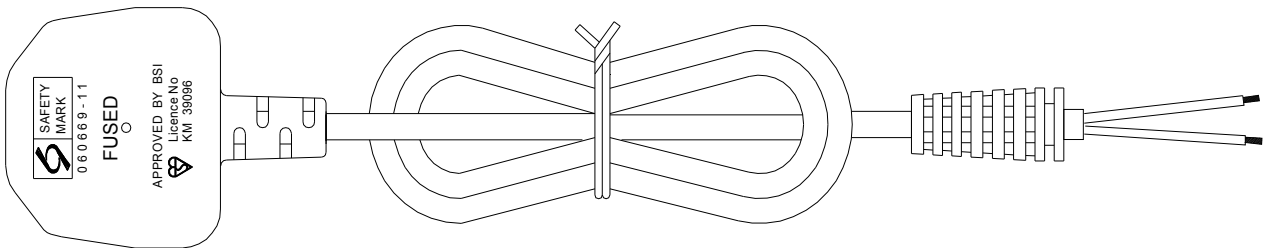
NOTE/备注: (Unit:mm)

1. H05RN-F 2X1.0mm² 300/500V L=1500±50mm 2C

线材: H05RN-F 2X1.0mm² 长度: 1.5米

2. BS Plug 3PIN Fuse: 3A/250V~

插头: 英规插头 3PIN 保险丝 3A/250V



NOTE/备注: (Unit:mm)

1. SPT-1W 18AWG VW-1 105C° 300V L=2000±100mm 2C

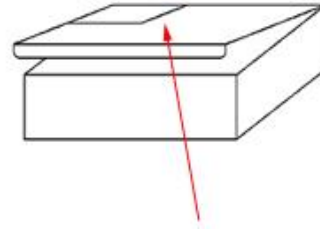
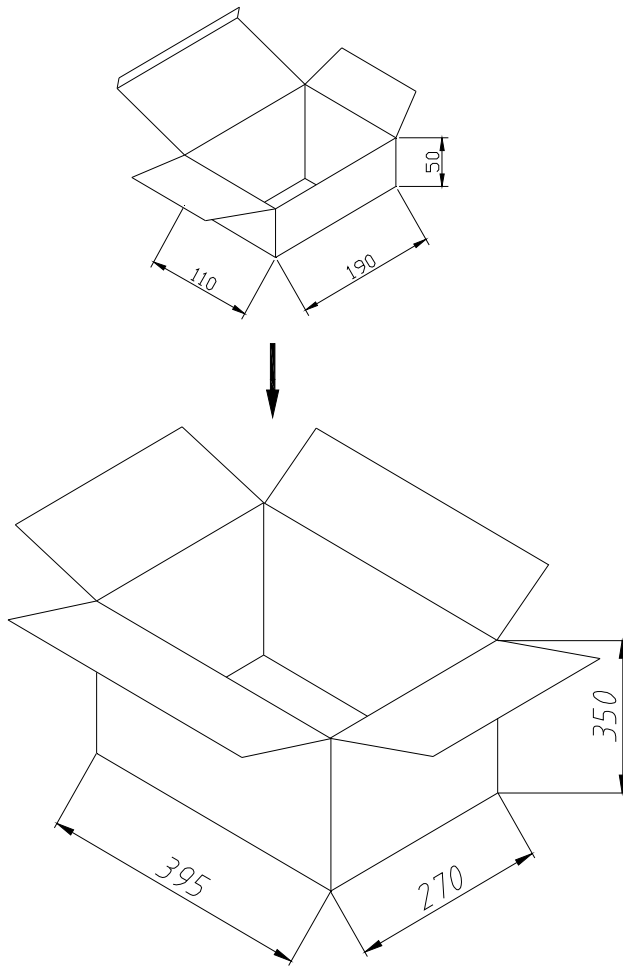
线材: SPT-1W 18# 长度: 2米

2. The polarity: inner-positive, outer-negative

极性: 内正外负

3. DC jack: 5.5*2.1*10mm

10、包装说明/PACKING:



59RKPO-UK2400500CD-2

白盒尺寸/BOX SIZE: 190*110*50mm
材质/Material: 350G
纸箱尺寸/CARTON SIZE: 395*270*350mm
材质/Material: K=K
30PCS白盒装一箱/ Inner box 30pcs/crton