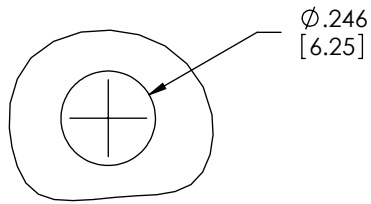
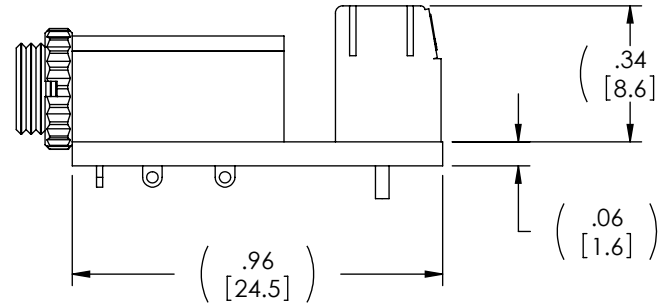
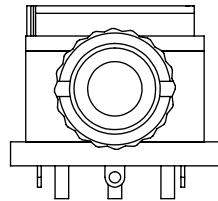
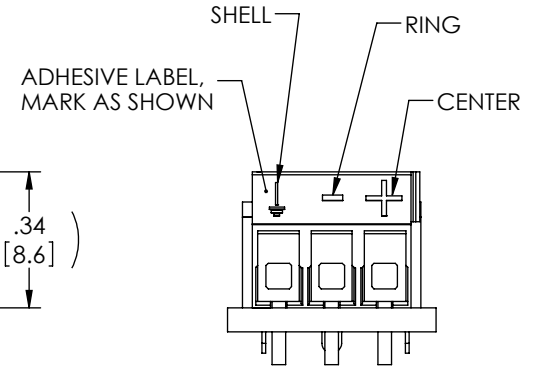
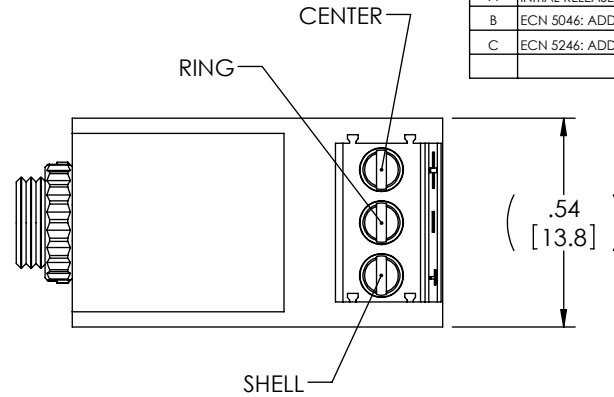


THE INFORMATION CONTAINED IN THIS DRAWING IS THE SOLE PROPERTY OF L-COM, INC. ANY REPRODUCTION IN PART OR WHOLE WITHOUT THE WRITTEN PERMISSION OF L-COM, INC. IS PROHIBITED.

REVISIONS			
REV	DESCRIPTION	DATE	APPROVED
A	INITIAL RELEASE	8/4/10	D.GRIFFIN
B	ECN 5046: ADDED PANEL MOUNT AND MAX PANEL NOTES	9/23/10	D.FRISIELLO
C	ECN 5246: ADDED NOTE: 3 POSITION TERM BLOCK ACCEPTS 16-30AWG WIRE	1/7/11	D. CASTRO



PANEL MOUNT CUTOUT



NOTES:

MATERIAL:

JACK:
HOUSING: THERMOPLASTIC
THREADED BUSHING AND DRESS NUT: BRASS
CONTACTS: COPPER ALLOY

TERMINAL BLOCK:

HOUSING: THERMOPLASTIC
TERMINALS AND CAGE CLAMP: COPPER ALLOY
SCREWS: STEEL

PCB: FR4

FINISH:

JACK:
THREADED BUSHING: TIN PLATE
DRESS NUT: ZINC PLATE
CONTACTS: TIN PLATE

TERMINAL BLOCK:

TERMINALS: TIN OVER NICKEL PLATE
CAGE CLAMP: NICKEL PLATE
SCREWS: ZINC PLATE

MISCELLANEOUS:

3 POSITION TERMINAL BLOCK ACCEPTS 16-30AWG WIRE.
ASSEMBLY TO BE INDIVIDUALLY PACKAGED IN ACCORDANCE WITH L-COM SPEC. PS-0031.
PANEL MOUNT DIAMETER: $.246 \phi$
PANEL THICKNESS: $.06$ MAX.

RoHS Compliant ✓

UNLESS OTHERWISE SPECIFIED, DIMENSIONS ARE IN INCHES [mm] OVERALL CABLE LENGTH TOLERANCE: ≤12 [305] = +1 [25] / -0 >12 [305] ≤60 [1524] = +2 [51] / -0 >60 [1524] ≤120 [3048] = +4 [102] / -0 >120 [3048] ≤300 [7620] = +6 [152] / -0 >300 [7620] = +3% / -0%	APPROVALS	DATE		45 BEECHWOOD DRIVE NORTH ANDOVER, MA 01845		
	DRAWN BY D. CASTRO	8/3/10				
ALL OTHER DIMENSIONAL TOLERANCES: .X = ±.2 .XX = ±.02 .XXX = ±.005	CHECKED BY D. PARHAM	8/3/10	CATEGORY AUDIO			
	APPROVED BY P. MCNEIL	8/3/10	PRODUCT DESCRIPTION 3.5MM FIELD TERM, SINGLE PORT F			
PROJECTION 	CONFIGURATION DETAILS OF UNDIMENSIONED FEATURES MAY VARY	COLOR VARIATIONS MAY OCCUR	SIZE A	FSCM NO. 43321	DWG. NO. 35MMFT	REV. C
			SCALE: NONE	CAD FILE: 35MMFT.SLDDRW	SHEET 1 OF 1	