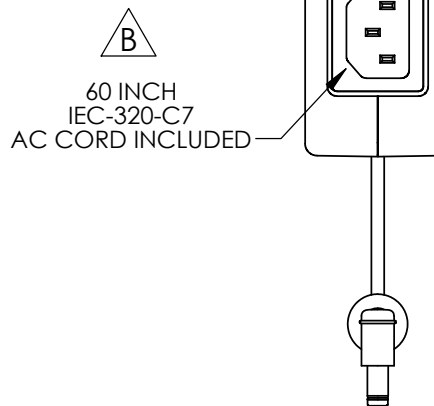
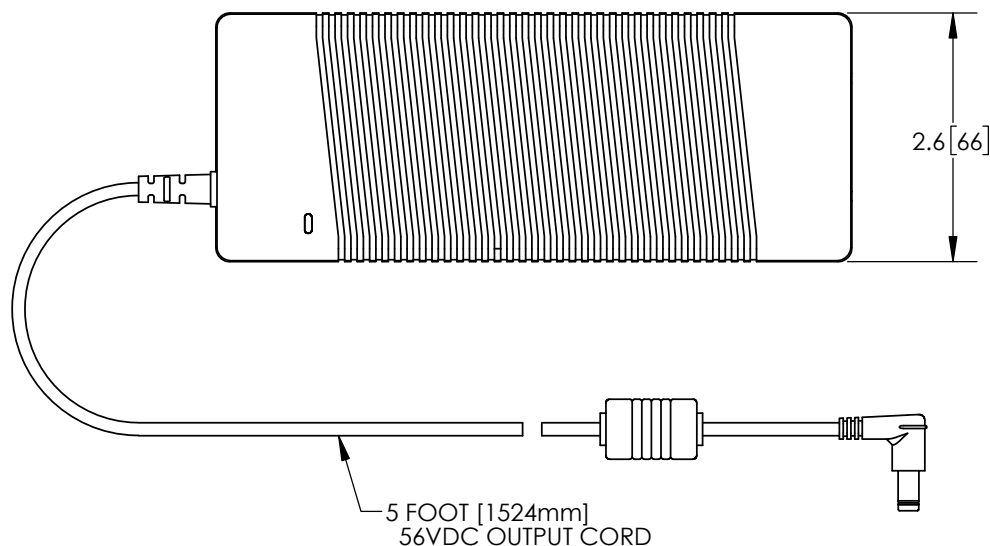
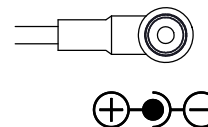
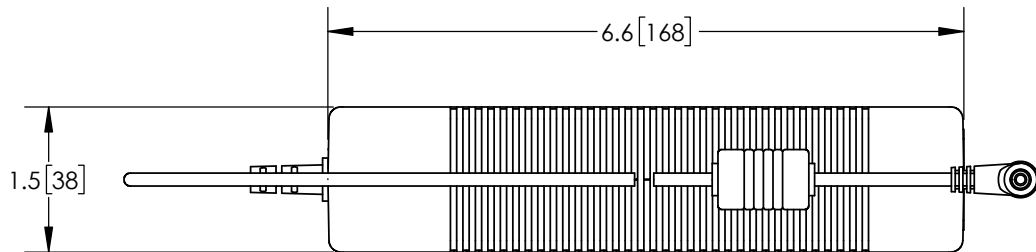


THE INFORMATION CONTAINED IN THIS DRAWING IS THE SOLE PROPERTY OF L-COM, INC. ANY REPRODUCTION IN PART OR WHOLE WITHOUT THE WRITTEN PERMISSION OF L-COM, INC. IS PROHIBITED.



REVISIONS			
REV	DESCRIPTION	DATE	APPROVED
A	INITIAL RELEASE	9/26/12	D.GRIFFIN
B	ECN 11015 CHANGE 39 INCH TO 69 INCH	03/04/2021	MBLACKWOOD



NOTES:
 SPECIFICATIONS:
 SWITCHING POWER SUPPLY
 56VDC @ 117.6W, 2.1A
 110/220VAC
 2.5mm RT ANGLE DC PLUG
 CENTER POSITIVE W/ 5 FOOT LEAD

MISCELLANEOUS:
 ALL PARTS SHALL BE PACKAGED AS PER
 L-COM SPEC PKG-00012

- ALL DIMENSIONS FOR REFERENCE ONLY -

UNLESS OTHERWISE SPECIFIED, DIMENSIONS ARE IN INCHES [mm] OVERALL CABLE LENGTH TOLERANCE: ≤12 [305] = +1 [25] / -0 >12 [305] ≤60 [1524] = +2 [51] / -0 >60 [1524] ≤120 [3048] = +4 [102] / -0 >120 [3048] ≤300 [7620] = +6 [152] / -0 >300 [7620] = +5% / -0 ALL OTHER DIMENSIONAL TOLERANCES: .X = ± .2 [5] FRACTIONS ± 1/32 .XX = ± .02 [5] ANGLES ± 1° .XXX = ± .005 [13]	APPROVALS B.PUCHASKI	DATE 09/25/12	 50 High Street, West Mill, North Andover, MA 01845 USA. Phone: 1.800.341.5266 1.978.682.6936
	CHECKED BY M.MARTINEZ	DATE 09/25/12	
THIRD-ANGLE PROJECTION 	CONFIGURATION DETAILS OF UNDIMENSIONED FEATURES MAY VARY	PRODUCT DESCRIPTION POWER SUPPLY, SWITHING56VDC @117.6W 2.1A 2.5mm R/A DC PLUG	SCALE: NONE CAD FILE: PS56118-25R.SLDDRW
COLOR VARIATIONS MAY OCCUR	SIZE A	CAGE CODE 43321	ITEM NO. PS56118-25R
SHEET 1 OF 1	REV. B	SHEET 1 OF 1	SHEET 1 OF 1