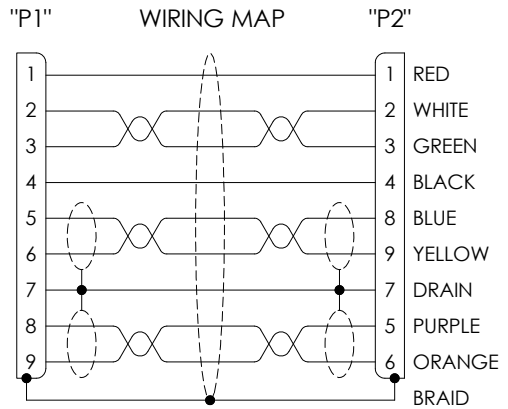
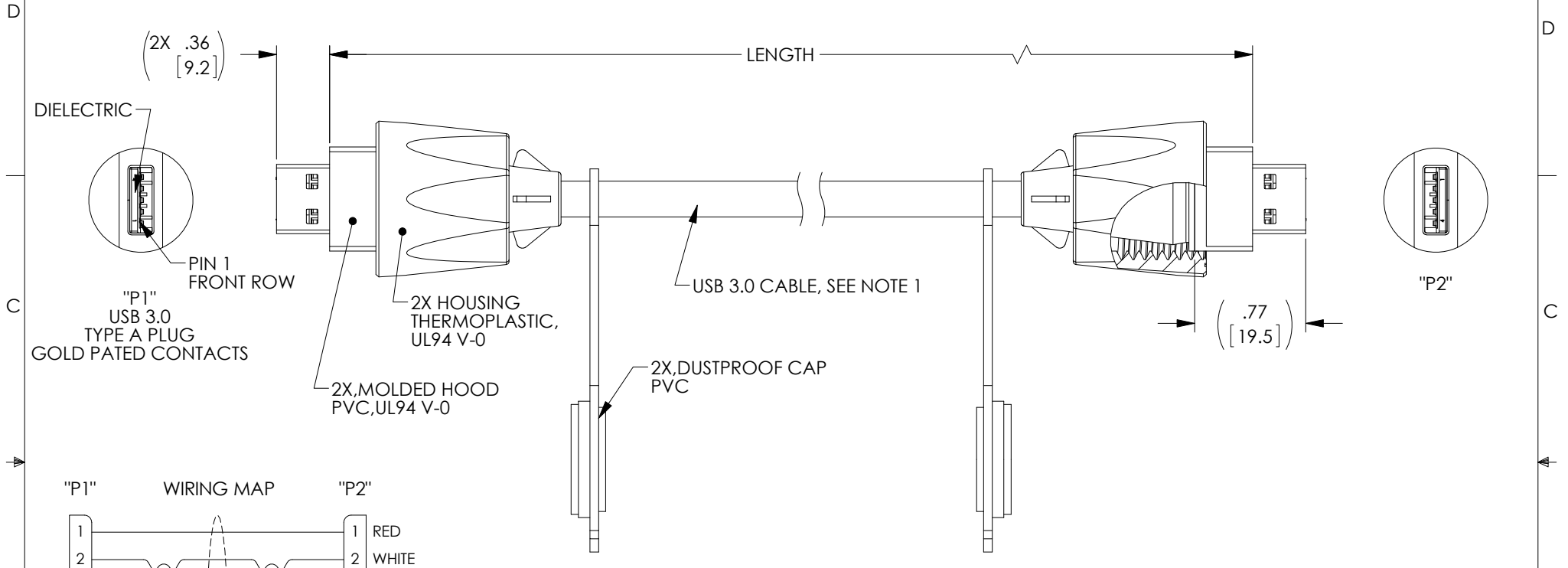


THE INFORMATION CONTAINED IN THIS DRAWING IS THE SOLE PROPERTY OF L-COM, INC. ANY REPRODUCTION IN PART OR WHOLE WITHOUT THE WRITTEN PERMISSION OF L-COM, INC. IS PROHIBITED.

REVISIONS			
REV	DESCRIPTION	DATE	APPROVED
A	INITIAL RELEASE	09/14/17	D.CUI



MODEL NUMBER	LENGTH		TOLERANCE mm [INCHES]	CABLE O.D. NOM. DIA. mm [IN]
	METERS	FEET		
U3A00058-1M	1.0	3.28	50.0 [1.97]	5.5 [.216]
U3A00058-2M	2.0	6.56	50.0 [1.97]	5.5 [.216]
U3A00058-3M	3.0	9.84	80.0 [3.15]	6.2 [.244]

- NOTES:**
- CABLE SPEC: UL2276, OD5.5MM, OUT JACKET: PVC UL2225, OD6.2MM, OUT JACKET: PVC
 - INGRESS PROTECTION RATING IS IP67 (MATED, IEC60529:2001-02)
 - OPERATING TEMPERATURE RANGE:-24°C~+85°C
 - CABLE ASSEMBLY SHALL BE TESTED FOR CONTINUITY.
 - CABLE ASSEMBLY SHALL BE INDIVIDUALLY PACKAGED IN ACCORDANCE WITH L-COM SPECIFICATION PS-0031.

REGULATORY COMPLIANCE:
CE2011/65/EU(RoHS DIRECTIVE)

UNLESS OTHERWISE SPECIFIED, DIMENSIONS ARE IN INCHES [mm] OVERALL CABLE LENGTH TOLERANCE: ≤12 [305] = +1 [25] / -0 >12 [305] ≤60 [1524] = +2 [51] / -0 >60 [1524] ≤120 [3048] = +4 [102] / -0 >120 [3048] ≤300 [7620] = +6 [152] / -0 >300 [7620] = +5% / -0%	APPROVALS	DATE		50 HIGH STREET NORTH ANDOVER, MA 01845
	DRAWN BY D.CUI	09/14/17		CATEGORY
ALL OTHER DIMENSIONAL TOLERANCES: .X = ± .2 [5.08] .XX = ± .02 [51] .XXX = ±.005 [1.3]	CHECKED BY D.FRISIELLO	09/14/17	PRODUCT DESCRIPTION	
	APPROVED BY B.GATES	09/14/17	INDUSTRIAL USB 3.0 A/A	
PROJECTION	CONFIGURATION DETAILS OF UNDIMENSIONED FEATURES MAY VARY		SIZE A	FSCM NO. 43321
	COLOR VARIATIONS MAY OCCUR		DWG. NO. U3A00058	REV. A
SCALE: NONE			CAD FILE: U3A00058.SLDDRW	SHEET 1 OF 1