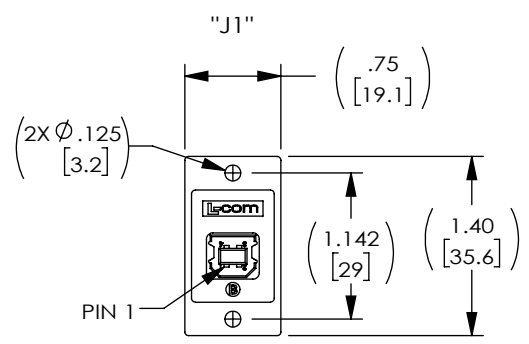
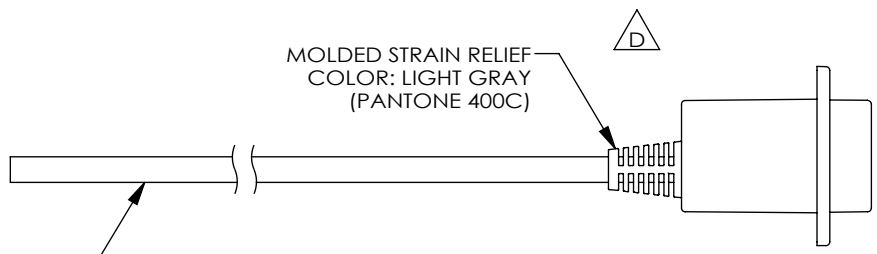
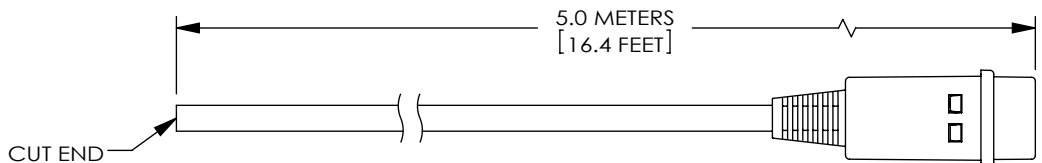
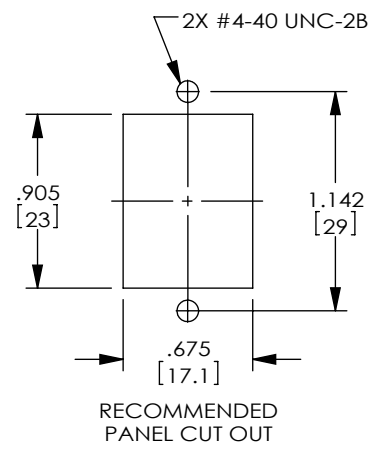
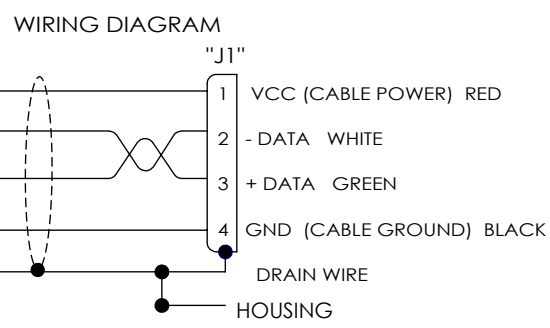


THE INFORMATION CONTAINED IN THIS DRAWING IS THE SOLE PROPERTY OF L-COM, INC. ANY REPRODUCTION IN PART OR WHOLE WITHOUT THE WRITTEN PERMISSION OF L-COM, INC. IS PROHIBITED.

REVISIONS			
REV	DESCRIPTION	DATE	APPROVED
A	INITIAL RELEASE	11/30/10	D.GRIFFIN
B	ECN 6716: CN RELEASE ON SNAP-ON COVER	3/5/13	D.FRISIELLO
C	ECN 8409: UPDATE TEMPERATURE RATING TO -10-70°C	7/15/16	S.LI
D	ECN 9144: ROTATE THE S.R. 90 DEG, UPDATE DESCRIPTION	04/16/18	S.LI



USB TYPE "B" JACK
BULKHEAD ADAPTOR
SHIELDED



NOTES:

MATERIAL:
TYPE "B" JACK:
BULKHEAD HOUSING: ABS, UL94V-0, FINISH: CHROME.
CONTACTS: PHOSPHOR BRONZE, FINISH: 30μ GOLD.
CONNECTOR SHELL: BRASS, NICKEL PLATED.
PCB: EPOXY GLASS FP-4, 94V-0 FLAMMABILITY RATING.

MISCELLANEOUS:
MUST BE USB 2.0 COMPLIANT.
OPERATING TEMPERATURE: -10°C TO +70°C.
CABLE ASSEMBLY SHALL BE TESTED FOR CONTINUITY.
CABLE ASSEMBLY SHALL BE INDIVIDUALLY PACKAGED IN ACCORDANCE WITH L-COM PACKAGING SPEC PS-0031.

REGULATORY COMPLIANCE:
CE2011/65/EU (RoHS DIRECTIVE)

UNLESS OTHERWISE SPECIFIED, DIMENSIONS ARE IN INCHES [mm] OVERALL CABLE LENGTH TOLERANCE: ≤12 [305] = +1 [25] / -0 >12 [305] ≤60 [1524] = +2 [51] / -0 >60 [1524] ≤120 [3048] = +4 [102] / -0 >120 [3048] ≤300 [7620] = +6 [152] / -0 >300 [7620] = +3% / -0%	APPROVALS	DATE			50 HIGH STREET NORTH ANDOVER, MA 01845	
	DRAWN BY D. PARHAM	11/29/2010			CATEGORY	USB
	CHECKED BY D. CASTRO	11/29/2010			PRODUCT DESCRIPTION	USB B-F PNL MNT/CUT END
	APPROVED BY S. SMITH	11/30/2010			SIZE	FSCM NO. A 43321
ALL OTHER DIMENSIONAL TOLERANCES: .X = ±.2 [5.08] .XX = ±.02 [1.51] .XXX = ±.005 [1.3]	CONFIGURATION DETAILS OF UNDIMENSIONED FEATURES MAY VARY	COLOR VARIATIONS MAY OCCUR	SCALE: NONE	CAD FILE: ECF504-B-5M.SLDDRW	SHEET 1 OF 1	

