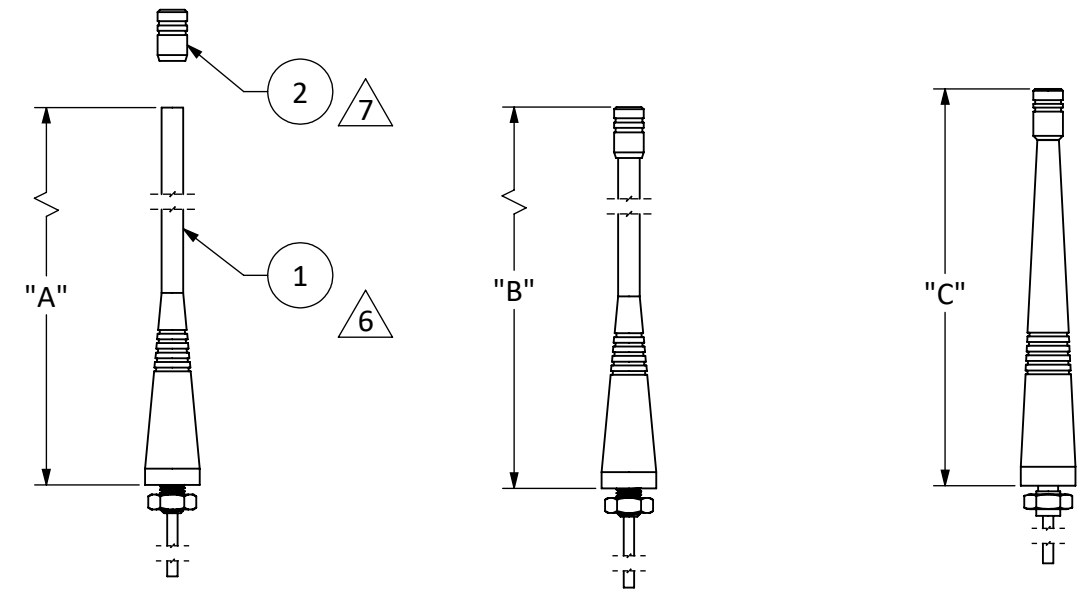


REVISIONS			
REV	DESCRIPTION	DATE	APPV
A	INITIAL RELEASE	7-AUG-08	SAH
B	UPDATED TO INCLUDE LTE BANDS AND U.FL TERMINATED VERSIONS	25-JUN-19	CLL
C	ADDED 410 AND 450 VERSIONS	17-APR-20	SAH
D	UPDATED LENGTH C CABLE TOLERANCES	AJVM 8/9/2022	



- NOTES: (UNLESS OTHERWISE SPECIFIED)
1. ALL DIMENSIONS ARE IN MILLIMETERS [INCHES].
 2. DIMENSIONS APPLY AFTER FINISHING.
 3. MANUFACTURE TO BE COMPLIANT WITH EU RoHS DIRECTIVE, USE MATERIALS THAT DO NOT CONTAIN REACH SUBSTANCES OF VERY HIGH CONCERN >1000ppm, AND USE DRC CONFLICT-FREE SOURCED MATERIALS.
 4. SAFETY BREAK ALL SHARP CORNERS AND EDGES .02" MAXIMUM,
 5. PERFORMANCE REQUIREMENTS MEASURED ON 4" X 4" COPPER-CLAD GROUND PLANE REFERENCE.
- △6 OVERMOLD SUB ASSEMBLY, ITEM 1, TO BE CUT TO LENGTH "A" FOR DESIRED FREQUENCY.
- △7 CAP, ITEM 2, TO BE EPOXIED ONTO OVERMOLD SUB ASSEMBLY, ITEM 1, USING LOCTITE 401 (OR EQUIVALENT), AFTER CUTTING TO THE DESIRED FREQUENCY LENGTH.

PART NUMBER	CENTER FREQUENCY	FREQUENCY RANGE (MHz)	WAVELENGTH	TYPE	VSWR (TYP. AT CENTER)	IMPEDANCE	CONNECTION	ITEM NO. 1 △6	ITEM NO. 2 △7	COAXIAL CABLE	LENGTH "A"	LENGTH "B"	LENGTH "C" ±1.5
ANT-410-PW-QW	418 MHz	380-450	1/4-WAVE	MONOPOLE	≤2.0 : 1	50-OHMS	CASE MOUNT	ASM-ANT-PW-QW-OVMLD	MEC-ANT-QW-CAP-BLK	8.5" RG-174	176.5 [6.95]	177.2 [6.98]	N/A
ANT-410-PW-QW-UFL	418 MHz	380-450	1/4-WAVE	MONOPOLE	≤2.0 : 1	50-OHMS	U.FL PLUG (R/A)	ASM-ANT-PW-QW-OMDUFL	MEC-ANT-QW-CAP-BLK	8.5" 1.32mm	176.5 [6.95]	177.2 [6.98]	N/A
ANT-418-PW-QW	418 MHz	380-450	1/4-WAVE	MONOPOLE	≤2.0 : 1	50-OHMS	CASE MOUNT	ASM-ANT-PW-QW-OVMLD	MEC-ANT-QW-CAP-418	8.5" RG-174	176.5 [6.95]	177.2 [6.98]	N/A
ANT-418-PW-QW-UFL	418 MHz	380-450	1/4-WAVE	MONOPOLE	≤2.0 : 1	50-OHMS	U.FL PLUG (R/A)	ASM-ANT-PW-QW-OMDUFL	MEC-ANT-QW-CAP-418	8.5" 1.32 mm	176.5 [6.95]	177.2 [6.98]	N/A
ANT-433-PW-QW	433 MHz	400-470	1/4-WAVE	MONOPOLE	≤2.0 : 1	50-OHMS	CASE MOUNT	ASM-ANT-PW-QW-OVMLD	MEC-ANT-QW-CAP-433	8.5" RG-174	172.7 [6.80]	173.4 [6.83]	N/A
ANT-433-PW-QW-UFL	433 MHz	400-470	1/4-WAVE	MONOPOLE	≤2.0 : 1	50-OHMS	U.FL PLUG (R/A)	ASM-ANT-PW-QW-OMDUFL	MEC-ANT-QW-CAP-433	8.5" 1.32 mm	172.7 [6.80]	173.4 [6.83]	N/A
ANT-450-PW-QW	458 MHz	420-495	1/4-WAVE	MONOPOLE	≤2.0 : 1	50-OHMS	CASE MOUNT	ASM-ANT-PW-QW-OVMLD	MEC-ANT-QW-CAP-BLK	8.5" RG-174	166.3 [6.54]	167.0 [6.57]	N/A
ANT-450-PW-QW-UFL	458 MHz	420-495	1/4-WAVE	MONOPOLE	≤2.0 : 1	50-OHMS	CASE MOUNT	ASM-ANT-PW-QW-OVMLD	MEC-ANT-QW-CAP-BLK	8.5" 1.32 mm	166.3 [6.54]	167.0 [6.57]	N/A
ANT-868-PW-QW	868 MHz	750-950	1/4-WAVE	MONOPOLE	≤2.0 : 1	50-OHMS	CASE MOUNT	ASM-ANT-PW-QW-OVMLD	MEC-ANT-QW-CAP-868	8.5" RG-174	82.8 [3.26]	83.5 [3.29]	N/A
ANT-868-PW-QW-UFL	868 MHz	750-950	1/4-WAVE	MONOPOLE	≤2.0 : 1	50-OHMS	U.FL PLUG (R/A)	ASM-ANT-PW-QW-OMDUFL	MEC-ANT-QW-CAP-868	8.5" 1.32 mm	82.8 [3.26]	83.5 [3.29]	N/A
ANT-916-PW-QW	916 MHz	865-965	1/4-WAVE	MONOPOLE	≤2.0 : 1	50-OHMS	CASE MOUNT	ASM-ANT-PW-QW-OVMLD	MEC-ANT-QW-CAP-916	8.5" RG-174	79.8 [3.14]	80.5 [3.17]	N/A
ANT-916-PW-QW-UFL	916 MHz	865-965	1/4-WAVE	MONOPOLE	≤2.0 : 1	50-OHMS	U.FL PLUG (R/A)	ASM-ANT-PW-QW-OMDUFL	MEC-ANT-QW-CAP-916	8.5" 1.32 mm	79.8 [3.14]	80.5 [3.17]	N/A
ANT-2.4-PW-QW	2.45 GHz	2350-2600	1/2-WAVE	MONOPOLE	≤2.0 : 1	50-OHMS	CASE MOUNT	N/A	N/A	8.5" RG-174	N/A	N/A	105.0 [4.13]
ANT-2.4-PW-QW-UFL	2.45 GHz	2350-2600	1/2-WAVE	MONOPOLE	≤2.0 : 1	50-OHMS	U.FL PLUG (R/A)	N/A	N/A	8.5" 1.32 mm	N/A	N/A	105.0 [4.13]
ANT-490-PW-QW	490 MHz	470-510	1/4-WAVE	MONOPOLE	≤2.0 : 1	50-OHMS	CASE MOUNT	ASM-ANT-PW-QW-OVMLD	MEC-ANT-QW-CAP-BLK	8.5" RG-174	157.0 [6.18]	157.7 [6.21]	N/A
ANT-490-PW-QW-UFL	490 MHz	470-510	1/4-WAVE	MONOPOLE	≤2.0 : 1	50-OHMS	U.FL PLUG (R/A)	ASM-ANT-PW-QW-OMDUFL	MEC-ANT-QW-CAP-BLK	8.5" 1.32 mm	157.0 [6.18]	157.7 [6.21]	N/A
ANT-B5-PW-QW	859 MHz	824-894	1/4-WAVE	MONOPOLE	≤2.0 : 1	50-OHMS	CASE MOUNT	ASM-ANT-PW-QW-OVMLD	MEC-ANT-QW-CAP-BLK	8.5" RG-174	82.8 [3.26]	83.5 [3.29]	N/A
ANT-B5-PW-QW-UFL	859 MHz	824-894	1/4-WAVE	MONOPOLE	≤2.0 : 1	50-OHMS	U.FL PLUG (R/A)	ASM-ANT-PW-QW-OMDUFL	MEC-ANT-QW-CAP-BLK	8.5" 1.32 mm	82.8 [3.26]	83.5 [3.29]	N/A
ANT-B8-PW-QW	920 MHz	880-960	1/4-WAVE	MONOPOLE	≤2.0 : 1	50-OHMS	CASE MOUNT	ASM-ANT-PW-QW-OVMLD	MEC-ANT-QW-CAP-BLK	8.5" RG-174	79.8 [3.14]	80.5 [3.17]	N/A
ANT-B8-PW-QW-UFL	920 MHz	880-960	1/4-WAVE	MONOPOLE	≤2.0 : 1	50-OHMS	U.FL PLUG (R/A)	ASM-ANT-PW-QW-OMDUFL	MEC-ANT-QW-CAP-BLK	8.5" 1.32 mm	79.8 [3.14]	80.5 [3.17]	N/A
ANT-B13-PW-QW	760 MHz	746-787	1/4-WAVE	MONOPOLE	≤2.0 : 1	50-OHMS	CASE MOUNT	ASM-ANT-PW-QW-OVMLD	MEC-ANT-QW-CAP-BLK	8.5" RG-174	97.7 [3.85]	98.4 [3.87]	N/A
ANT-B13-PW-QW-UFL	760 MHz	746-787	1/4-WAVE	MONOPOLE	≤2.0 : 1	50-OHMS	U.FL PLUG (R/A)	ASM-ANT-PW-QW-OMDUFL	MEC-ANT-QW-CAP-BLK	8.5" 1.32 mm	97.7 [3.85]	98.4 [3.87]	N/A
ANT-B14-PW-QW	778 MHz	758-798	1/4-WAVE	MONOPOLE	≤2.0 : 1	50-OHMS	CASE MOUNT	ASM-ANT-PW-QW-OVMLD	MEC-ANT-QW-CAP-BLK	8.5" RG-174	93.5 [3.68]	94.2 [3.71]	N/A
ANT-B14-PW-QW-UFL	778 MHz	758-798	1/4-WAVE	MONOPOLE	≤2.0 : 1	50-OHMS	U.FL PLUG (R/A)	ASM-ANT-PW-QW-OMDUFL	MEC-ANT-QW-CAP-BLK	8.5" 1.32 mm	93.5 [3.68]	94.2 [3.71]	N/A
ANT-B20-PW-QW	826 MHz	791-862	1/4-WAVE	MONOPOLE	≤2.0 : 1	50-OHMS	CASE MOUNT	ASM-ANT-PW-QW-OVMLD	MEC-ANT-QW-CAP-BLK	8.5" RG-174	89.0 [3.50]	89.7 [3.53]	N/A
ANT-B20-PW-QW-UFL	826 MHz	791-862	1/4-WAVE	MONOPOLE	≤2.0 : 1	50-OHMS	U.FL PLUG (R/A)	ASM-ANT-PW-QW-OMDUFL	MEC-ANT-QW-CAP-BLK	8.5" 1.32 mm	89.0 [3.50]	89.7 [3.53]	N/A
ANT-B28-PW-QW	753 MHz	703-803	1/4-WAVE	MONOPOLE	≤2.0 : 1	50-OHMS	CASE MOUNT	ASM-ANT-PW-QW-OVMLD	MEC-ANT-QW-CAP-BLK	8.5" RG-174	97.7 [3.85]	98.4 [3.87]	N/A
ANT-B28-PW-QW-UFL	753 MHz	703-803	1/4-WAVE	MONOPOLE	≤2.0 : 1	50-OHMS	U.FL PLUG (R/A)	ASM-ANT-PW-QW-OMDUFL	MEC-ANT-QW-CAP-BLK	8.5" 1.32 mm	97.7 [3.85]	98.4 [3.87]	N/A

WARNING: THIS DRAWING CONTAINS PROPRIETARY INFORMATION THAT IS THE SOLE PROPERTY OF LINX TECHNOLOGIES, AND SHALL BE TREATED AS SUCH. NO DISCLOSURE OR REPRODUCTION OF THIS DOCUMENT IS PERMITTED, IN WHOLE OR IN PART, WITHOUT THE EXPRESS WRITTEN PERMISSION OF LINX TECHNOLOGIES OR ITS DESIGNATED AGENTS.

STE connectivity 159 ORT LANE
MERLIN, OR 97532

TITLE: **ANTENNA PERMANENT MOUNT WHIP**

MATERIAL: INTERPRET DIMENSIONS AND TOLERANCES PER ASME Y14.5.
.X ±2.0 ANGLES: ±1°
.XX ±1.00
.XXX ±.500 SURFACE:

WEIGHT:

FINISH: DRAWN: S.HOGAN DT: 21-APR-09
ENGR: D.VARATHARAN 25-JUN-19

PROJECTION:

SIZE DWG. NO. REV
B C-ANT-fff-PW-QW-ccc **D**

SCALE: 1:2 DO NOT SCALE DRAWING SHEET 1 OF 1