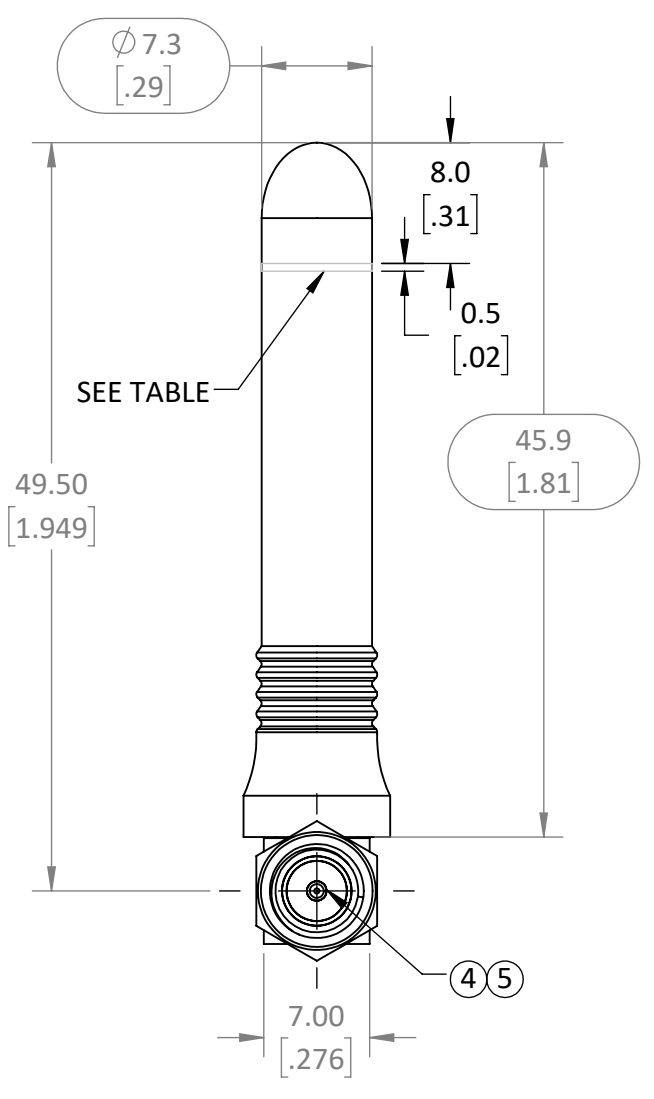
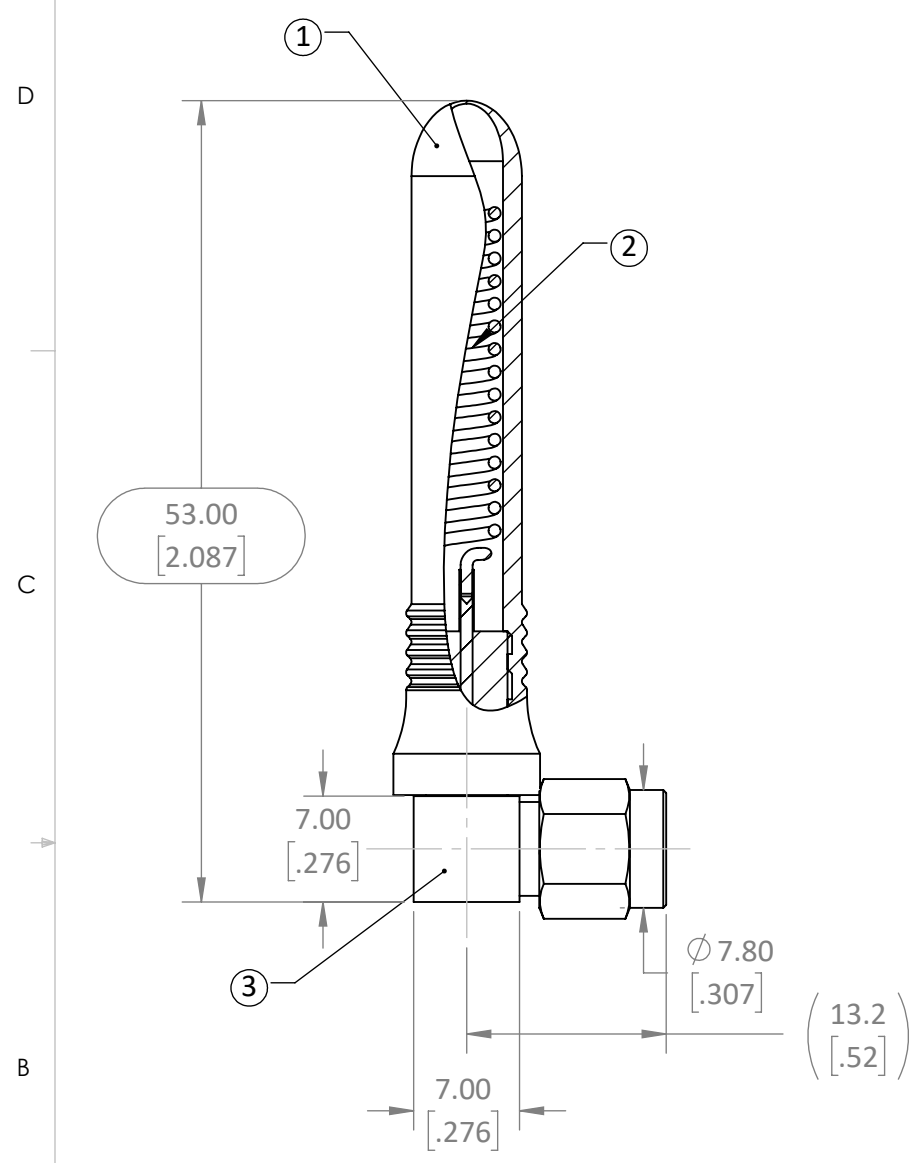


REVISIONS			
REV	DESCRIPTION	DATE	APPV
A	PRODUCTION RELEASE	JHAGER 4/16/2021	DV 11/12/21
B	ADDED 916-SMA VERSION	JHAGER 6/1/2022	DV 6/11/22
C	UPDATED TABULATION TO ADD W63 CONFIGURATION.	JHAGER 8/8/2022	DV 8/9/22



- NOTES: (UNLESS OTHERWISE SPECIFIED)
- ALL DIMENSIONS ARE IN MILLIMETERS [IN].
 - DIMENSIONS APPLY AFTER FINISHING. UNLISTED GEOMETRY CONTROLLED BY MANUFACTURER DRAWINGS AT CURRENT REVISION.
 - MANUFACTURE TO BE COMPLIANT WITH EU RoHS DIRECTIVE, USE MATERIALS THAT DO NOT CONTAIN REACH SUBSTANCES OF VERY HIGH CONCERN >1000ppm, AND USE DRC CONFLICT-FREE SOURCED MATERIALS.
 - ELECTRICAL SPECIFICATIONS ARE FOR REFERENCE ONLY. SEE LINX DATA SHEET FOR ELECTRICAL PROPERTIES.
 - IMPEDANCE: 50Ω
 - VSWR: NTE 2.0
 - FREQUENCY: SEE TABLE
 - ANTENNA QUALIFIED IAW ANTENNA TEST PLAN DOCUMENT AT LATEST REVISION.
 - MECHANICAL SPECIFICATIONS
 - OPERATING RANGE: -20° - +85°C
 - INTERFACE: SMA TYPE IAW MIL-STD-348B. RP-SMA TYPE TO INTERFACE WITH REVERSE POLARITY PIN AND BODY TYPE.
 - PACKAGE EACH UNIT SEPERATELY BEFORE PLACING IN LOT BAG
 - MARK EACH LOT BAG, AND BOX USING SUPPLIED LABEL TEMPLATE.

LINX PART NUMBER	CONNECTOR	CENTER FREQUENCY	COLOR STRIPE PANTONE
ANT-315-CW-RCS	RP-SMA	315 MHz	GREEN [#348C]
ANT-418-CW-RCS	RP-SMA	418 MHz	BLUE [#301C]
ANT-433-CW-RCS	RP-SMA	433 MHz	RED [#032C]
ANT-433-CW-RCS-SMA	SMA	433 MHz	RED [#032C]
ANT-868-CW-RCS	RP-SMA	868 MHz	GREY [#429C]
ANT-868-CW-RCS-SMA	SMA	868 MHz	GREY [#429C]
ANT-916-CW-RCS	RP-SMA	916 MHz	YELLOW [#116C]
ANT-916-CW-RCS-SMA	SMA	916 MHz	YELLOW [#116C]
ANT-2.4-CW-RCS	RP-SMA	2.4GHz	PINK [246U]
ANT-2.4-CW-RCS-SMA	SMA	2.4GHz	PINK [246U]
ANT-W63-CW-RCS-RPS	RPS	W63 BANDS	NO COLOR BAND
ANT-W63-CW-RCS-SMA	SMA	W63 BANDS	NO COLOR BAND

ITEM NUMBER	DESCRIPTION
1	SLEEVE, ELEMENT, PU, SHORE 80A BLACK
2	ELEMENT, [SEE TABLE], SWC, STEEL
3	CONNECTOR, [SEE TABLE], GOLD/BRASS
4	PIN, [FEM/MAL SEE TABLE], BRASS
5	INSULATOR, PTFE, NATURAL

WARNING: THIS DRAWING CONTAINS PROPRIETARY INFORMATION THAT IS THE SOLE PROPERTY OF LINX TECHNOLOGIES, AND SHALL BE TREATED AS SUCH. NO DISCLOSURE OR REPRODUCTION OF THIS DOCUMENT IS PERMITTED, IN WHOLE OR IN PART, WITHOUT THE EXPRESS WRITTEN PERMISSION OF LINX TECHNOLOGIES OR ITS DESIGNATED AGENTS.

STE 159 ORT LANE
connectivity MERLIN, OR 97532

MATERIAL: PU98A BRASS	INTERPRET DIMENSIONS AND TOLERANCES PER ASME Y14.5. .X ±2.0 .XX ±1.00 .XXX ±.500	ANGLES: ±1° SURFACE: √	PROJECTION:
WEIGHT:	DRAWN: JHAGER ENGR: DASARATHAN	DT: 4/16/21 DT: 4/16/21	
FINISH: NATURAL NICKEL			

TITLE: ANTENNA RCS SERIES 1/4 WAVE RA ANTENNA SMA & RPSMA		
SIZE B	DWG. NO. C-ANT-XXX-CW-RCS	REV C
SCALE: 2:1	DO NOT SCALE DRAWING	SHEET 1 OF 1