

ZONE	REV	SCR NUMBER	DESCRIPTION	BY	DATE	APPROVED
ALL	A	MHAN-98NQVA.VER01	NEW RELEASE	HCL-PG	06/17/2013	M.HANRAHAN
	B	CWAG-9B27H5.VER01	ADDED 2mm GND WIPE VERSION	HCL-PG	09/17/2013	C.WANG
SHT 3 B4 SHT 4 B1 SHT 3 A4 SHT 4 A5	C	MHAN-9QUJ9P.VER01	ADDED 2.45±0.05 DIM TO PCB VIEWS ADDED NOTE "SCREW NOT INCLUDED"	HCL-WS	01/22/2015	M.HANRAHAN
SHT 1 A8	D	MHAN-9ZRJGU.VER01	REPLACED DC MODULE FROM WAVE TO BIFURCATE CORRECTED NOTE 10	HCL-JP	08/27/2015	M.HANRAHAN
SHT1 C7 SHT1 C4	E	DCOY-A2DKPQ.VER01	REMOVED N AND Z OPTIONS FROM POL GUIDE TABLE. REMOVED ROLLED GUIDE PIN OPTION IN PIN STYLE TABLE.	HCL-NB	10/16/2015	D.COVEY

XCede HD BACKPLANE MODULE MALE STANDARD LOAD

9 2 3 - 4 X 0 C - X X X

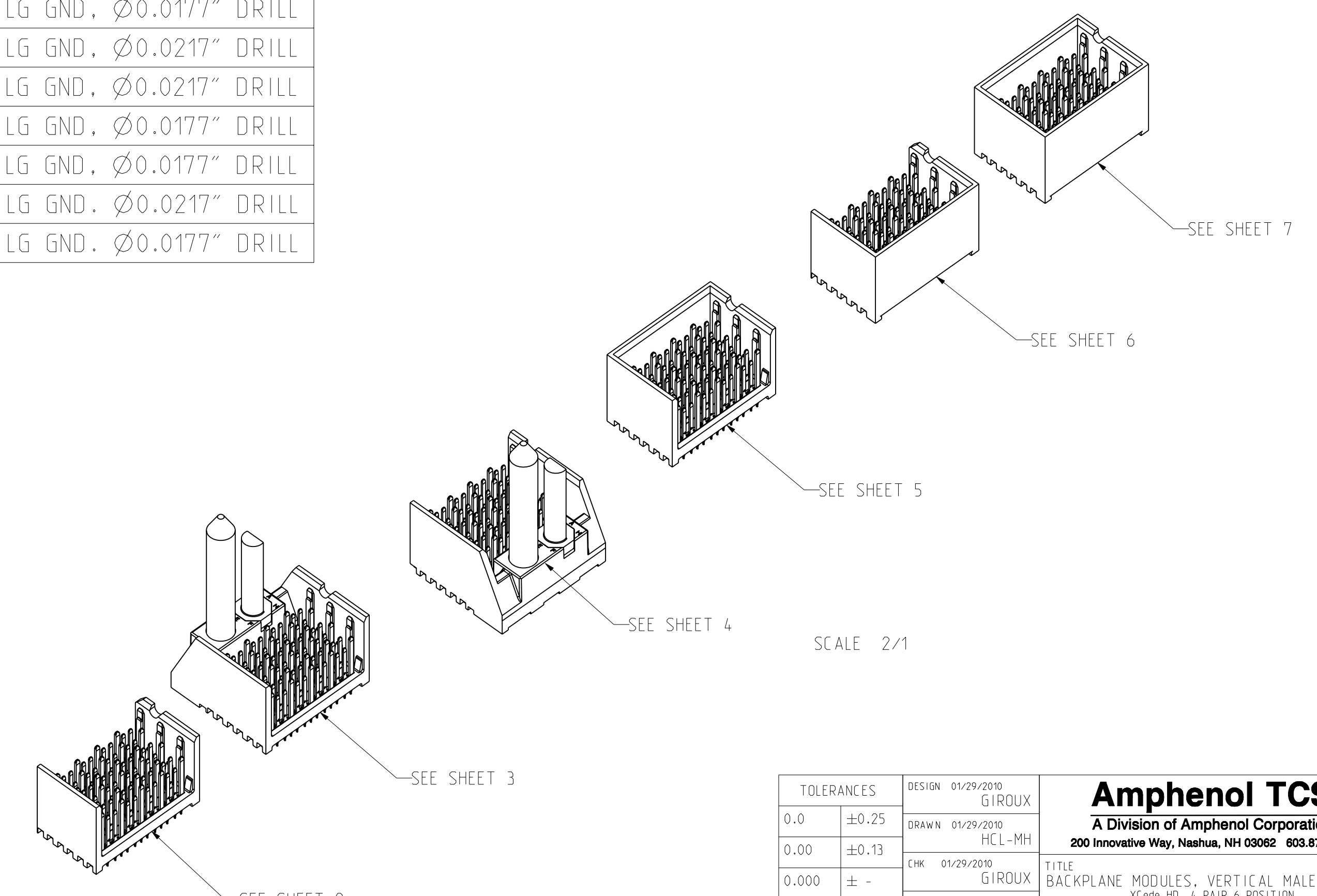
4 PAIR 6-POSITION

	LETTER								
LEFT POLARIZING GUIDANCE (SEE SHEET 3)	J (NO KEY)	A	B	C	D	E	F	G	H
RIGHT POLARIZING GUIDANCE (SEE SHEET 4)	Y (NO KEY)	P	Q	R	S	T	U	V	W
OPEN (SEE SHEET 2)	O (ZERO)								
LEFT WALL (SEE SHEET 5)	L								
RIGHT WALL (SEE SHEET 6)	M								
TWO WALL (SEE SHEET 7)	1								

NUMBER	PIN STYLE, HEIGHT
0	GUIDE PIN MACHINED, 28.5mm / OPEN MODULE

NUMBER	SIGNAL & LG. GROUND WIPE LENGTH, COMPLIANT PIN SIZE
1	2 mm WIPE SIGNAL, 4 mm WIPE LG GND, Ø0.0217" DRILL
2	3 mm WIPE SIGNAL, 4 mm WIPE LG GND, Ø0.0217" DRILL
3	2 mm WIPE SIGNAL, 4 mm WIPE LG GND, Ø0.0177" DRILL
4	3 mm WIPE SIGNAL, 4 mm WIPE LG GND, Ø0.0177" DRILL
5	2 mm WIPE SIGNAL, 3 mm WIPE LG GND, Ø0.0217" DRILL
6	3 mm WIPE SIGNAL, 3 mm WIPE LG GND, Ø0.0217" DRILL
7	2 mm WIPE SIGNAL, 3 mm WIPE LG GND, Ø0.0177" DRILL
8	3 mm WIPE SIGNAL, 3 mm WIPE LG GND, Ø0.0177" DRILL
C	2 mm WIPE SIGNAL, 2 mm WIPE LG GND, Ø0.0217" DRILL
D	2 mm WIPE SIGNAL, 2 mm WIPE LG GND, Ø0.0177" DRILL

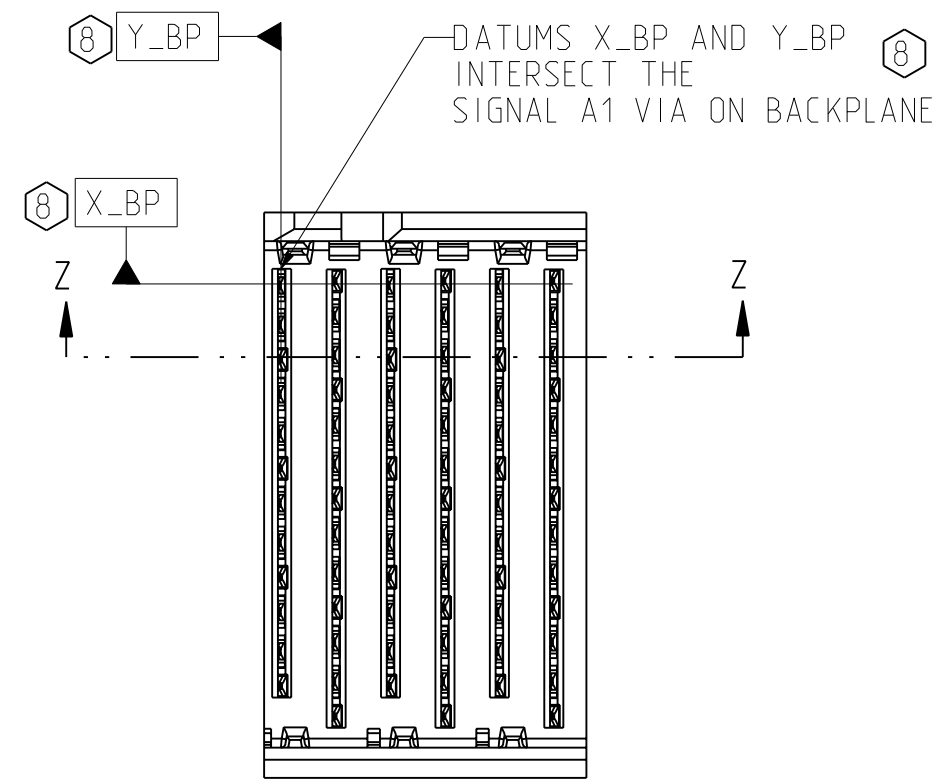
LETTER	PLATING
B	NI SULFAMATE, STANDARD GOLD, LEADED
C	NI SULFAMATE, HIGH GOLD, LEADED
D	NI SULFAMATE, STANDARD GOLD, LEADFREE
E	NI SULFAMATE, HIGH GOLD, LEADFREE
F	NANO NI, STANDARD GOLD, LEADED
G	NANO NI, HIGH GOLD, LEADED
H	NANO NI, STANDARD GOLD, LEADFREE
J	NANO NI, HIGH GOLD, LEADFREE



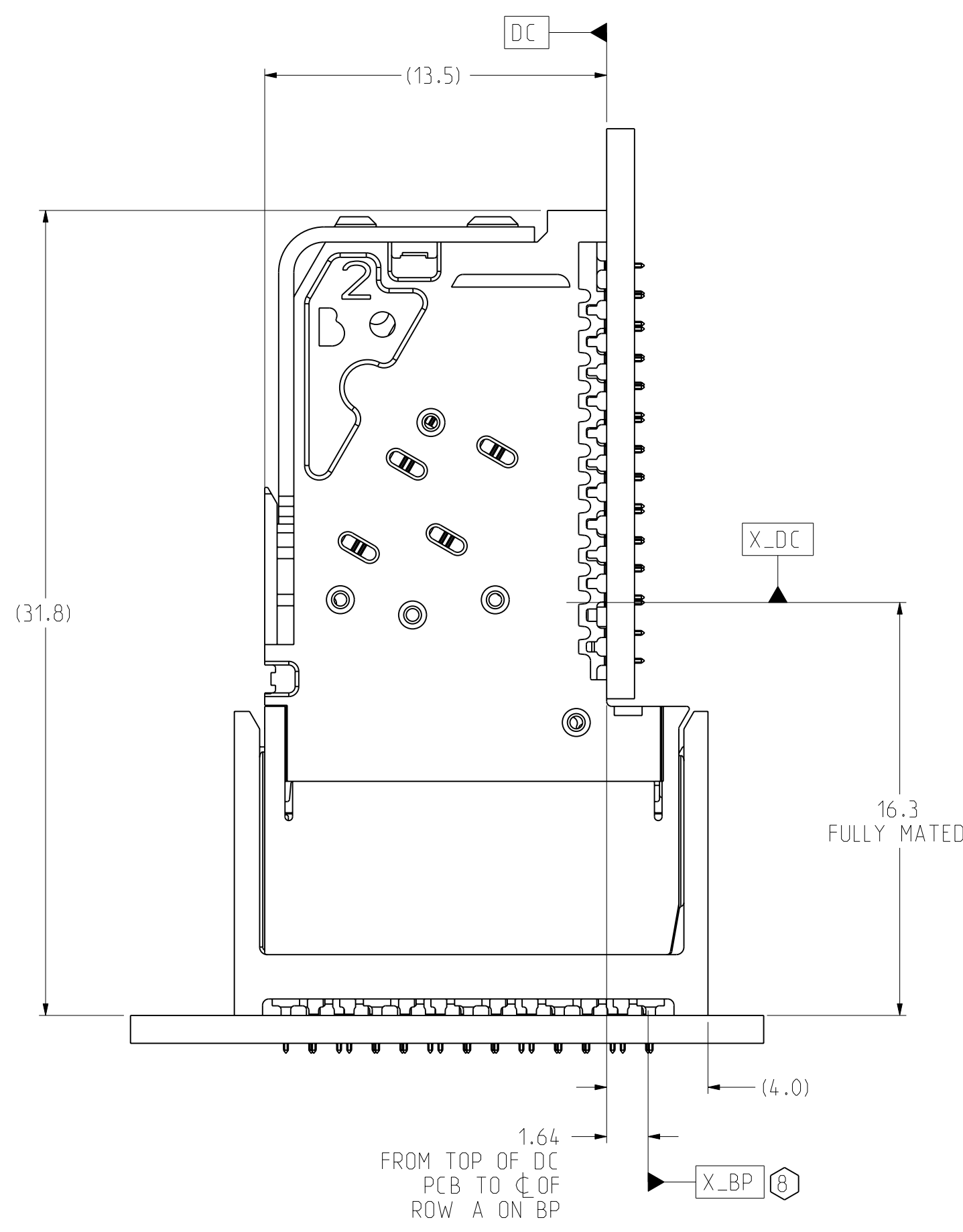
- NOTES:
- REFER TO TB-2308 FOR XCede HD PRODUCT SPECIFICATIONS.
  - NOTCH DESIGNATES "ROW A" SIDE OF SHROUD. NOTCH FEATURE ON OPPOSITE SIDE FROM PART MARKING.
  - PART MARKING AS FOLLOWS:  
 LINE 1: "ATCS" AND DATECODE (ATCS YYWW).  
 LINE 2: MODULE PART NUMBER (923-####-###).  
 LINE 3: WORK ORDER NUMBER (###\*#####).  
 WHERE "\*" DENOTES MANUFACTURING LOCATION.
  - PLATING THICKNESS OF SIGNAL CONTACT AND GROUND CONTACT IS DETERMINED BY PLATING CODE. SEE PART NUMBER TREE SHEET 1.
  - REPAIR PROCEDURE FOR MODULE. SEE TB-2245.
  - SEE TB-2237 FOR ROUTING GUIDELINES & PTH REQ'S.
  - SEE DOC XXXX-XXXX-XXX FOR TOOLING KEEPOUT ZONES.
  - BACKPLANE DATUM REFERENCE.
  - DIMENSIONS APPLY FOR BOTH COMPLIANT PIN SIZES.
  - OPTIONAL HOLE/MOUNTING SCREW LOCATION FOR GROUNDED PIN OR ADDITIONAL GUIDE PIN SUPPORT.  
 SEE DRAWING C-914-4010-000 FOR OPTIONAL HOLE DETAILS.  
 ONLY APPLIES FOR MACHINED GUIDE PIN APPLICATIONS.

TOLERANCES	DESIGN 01/29/2010 GIROUX	<b>Amphenol TCS</b> A Division of Amphenol Corporation 200 Innovative Way, Nashua, NH 03082 603.879.3000	TITLE	BACKPLANE MODULES, VERTICAL MALE HEADER XCede HD, 4 PAIR 6 POSITION
0.0 ±0.25	DRAWN 01/29/2010 HCL-MH		PART NO.	SEE PN TREE SHEET 1
0.00 ±0.13	CHK 01/29/2010 GIROUX		DRAWING NO.	C-923-400C-500
0.000 ± -	APVD 01/29/2010 GIROUX		ASSEM: C-923-400C-500 DRAWING: C-923-400C-500	1.6 B.6
ANGLES ± 3°	UNLESS OTHERWISE SPECIFIED DIMENSIONS ARE IN MM. DECIMAL MARKER IS A PERIOD.	CUSTOMER USE DRAWING		SCALE 1/1
INTERPRET PER ASME Y14.5M CODE IDENT 31413		SHEET 1 OF 8		

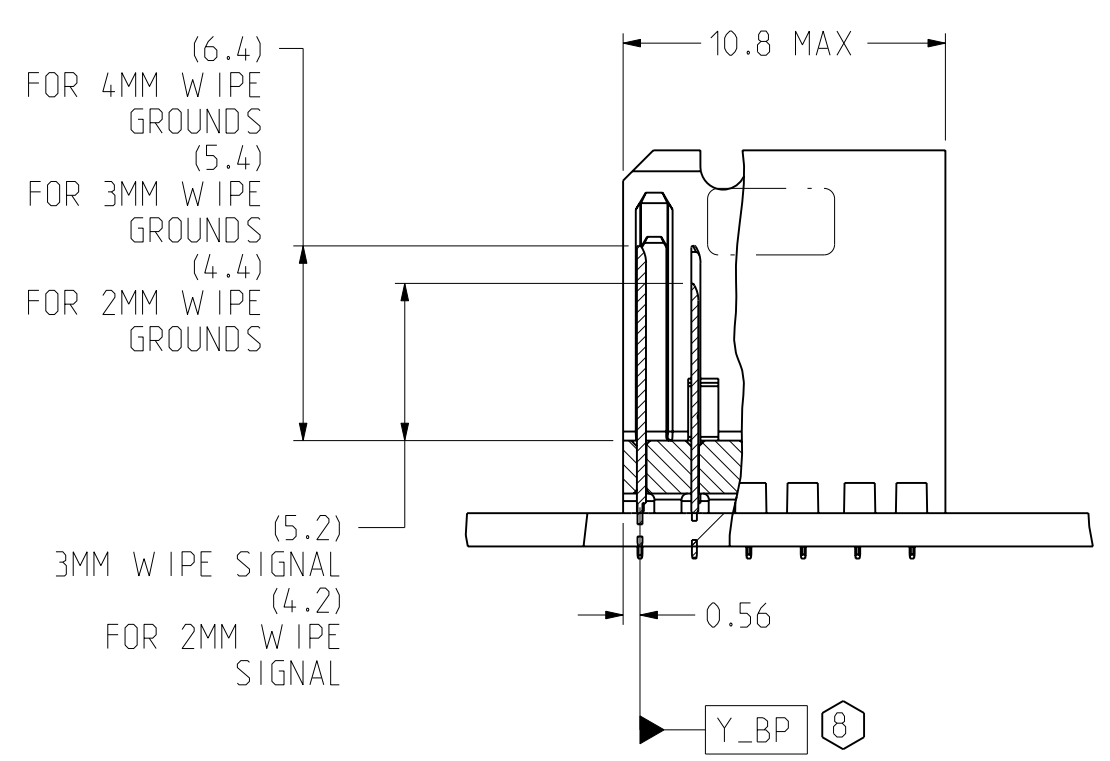
ZONE	REV	SCR NUMBER	DESCRIPTION	BY	DATE	APPROVED
			SEE SHEET 1			



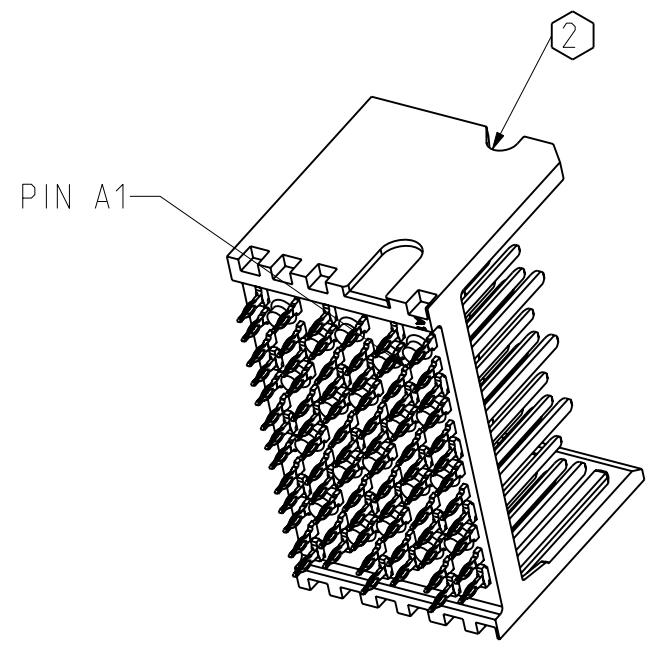
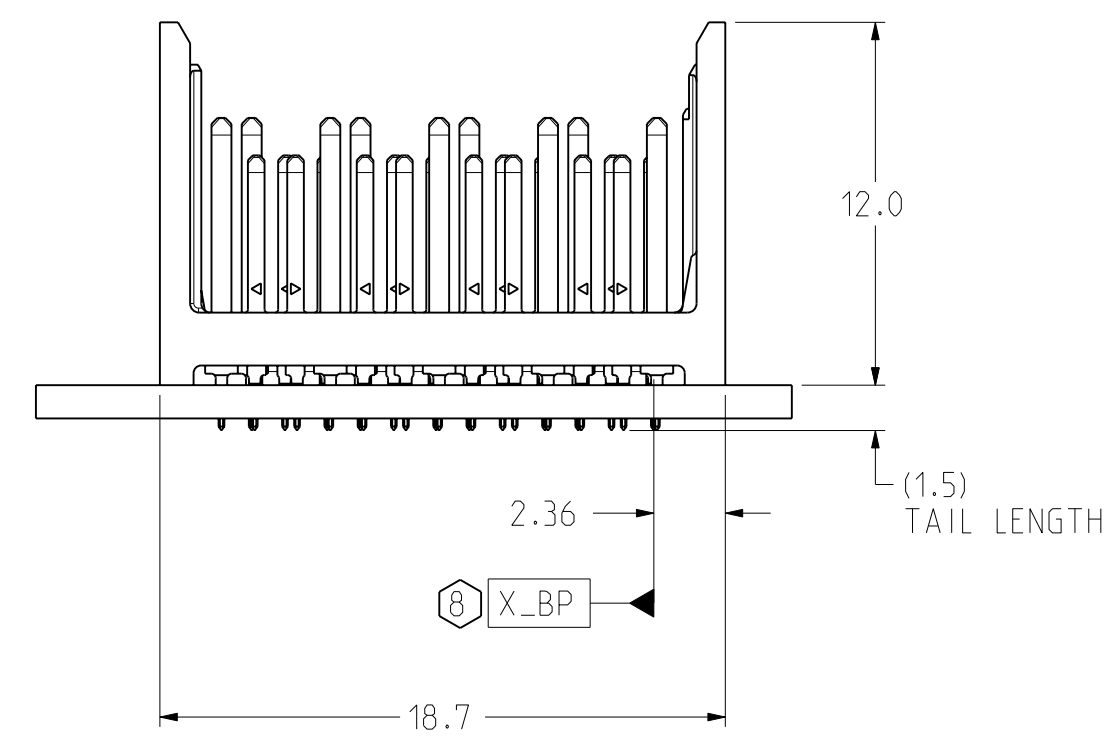
**OPEN BACKPLANE MODULE DIMENSION**



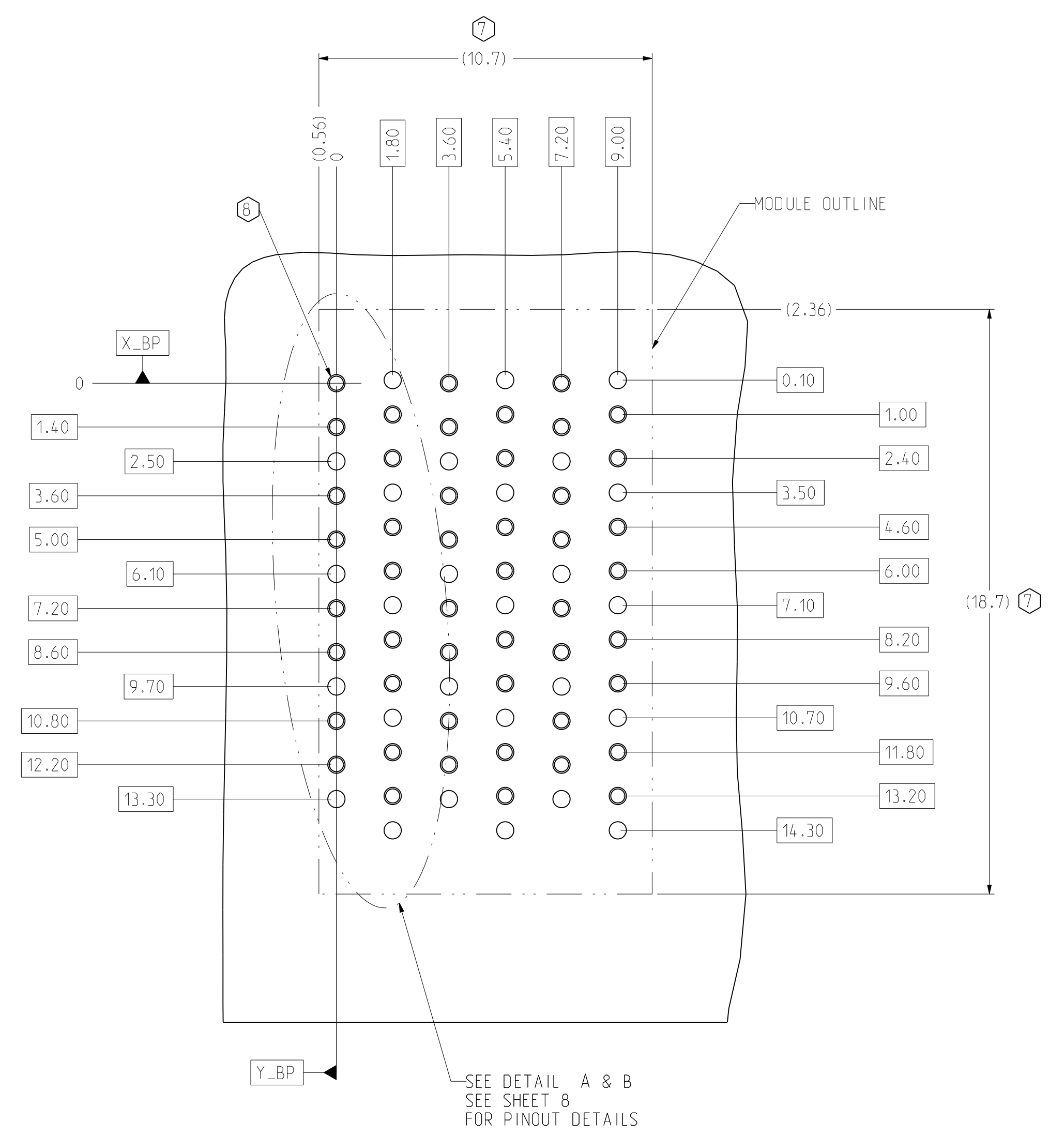
CONNECTOR REFERENCE SCALE 5/1



SECTION Z-Z



ISOMETRIC VIEW SCALE 3/1



BP HOLE PATTERN COMPONENT SIDE SCALE 8/1

**OPEN BACKPLANE FOOTPRINT**

TOLERANCES	DESIGN	DATE	DESIGNER
0.0 ±0.25	01/29/2010		GIROUX
0.00 ±0.13	01/29/2010		HCL-MH
0.000 ± -	01/29/2010		GIROUX
ANGLES ± 3°	01/29/2010		APVD

**Amphenol TCS**  
A Division of Amphenol Corporation  
200 Innovative Way, Nashua, NH 03082 603.879.3000

TITLE BACKPLANE MODULES, VERTICAL MALE HEADER  
XCede HD, 4 PAIR 6 POSITION

INTERPRET PER ASME Y14.5M  
CODE IDENT 31413

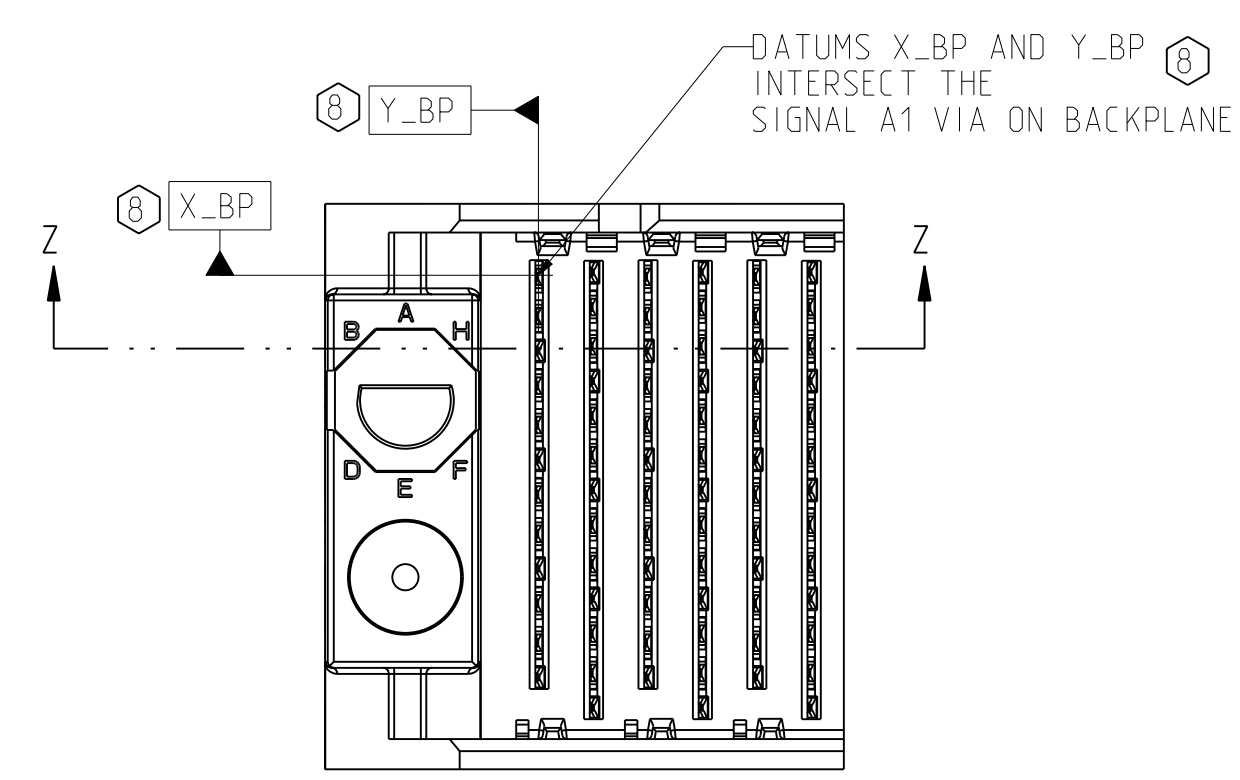
PART NO. SEE PN TREE SHEET 1	REV N/A
DRAWING NO. C-923-400C-500	REV E
ASSEM C923-400C-500	1.6
DRAWING C923-400C-500	B.6
SIZE D	SCALE 1/1
SHEET 2 OF 8	

CUSTOMER USE DRAWING

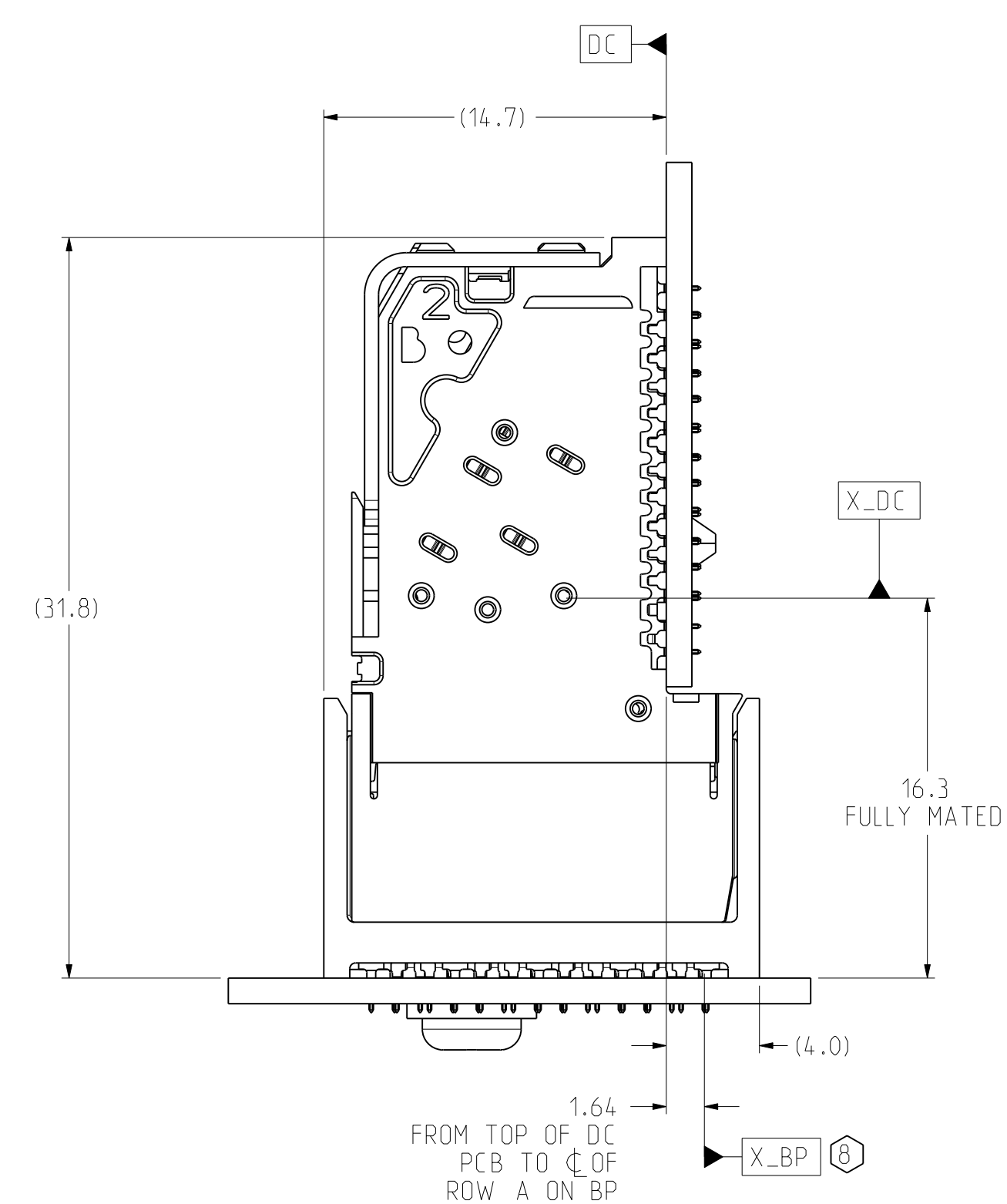
DRW NO. C-923-400C-500

SH 2 REV E

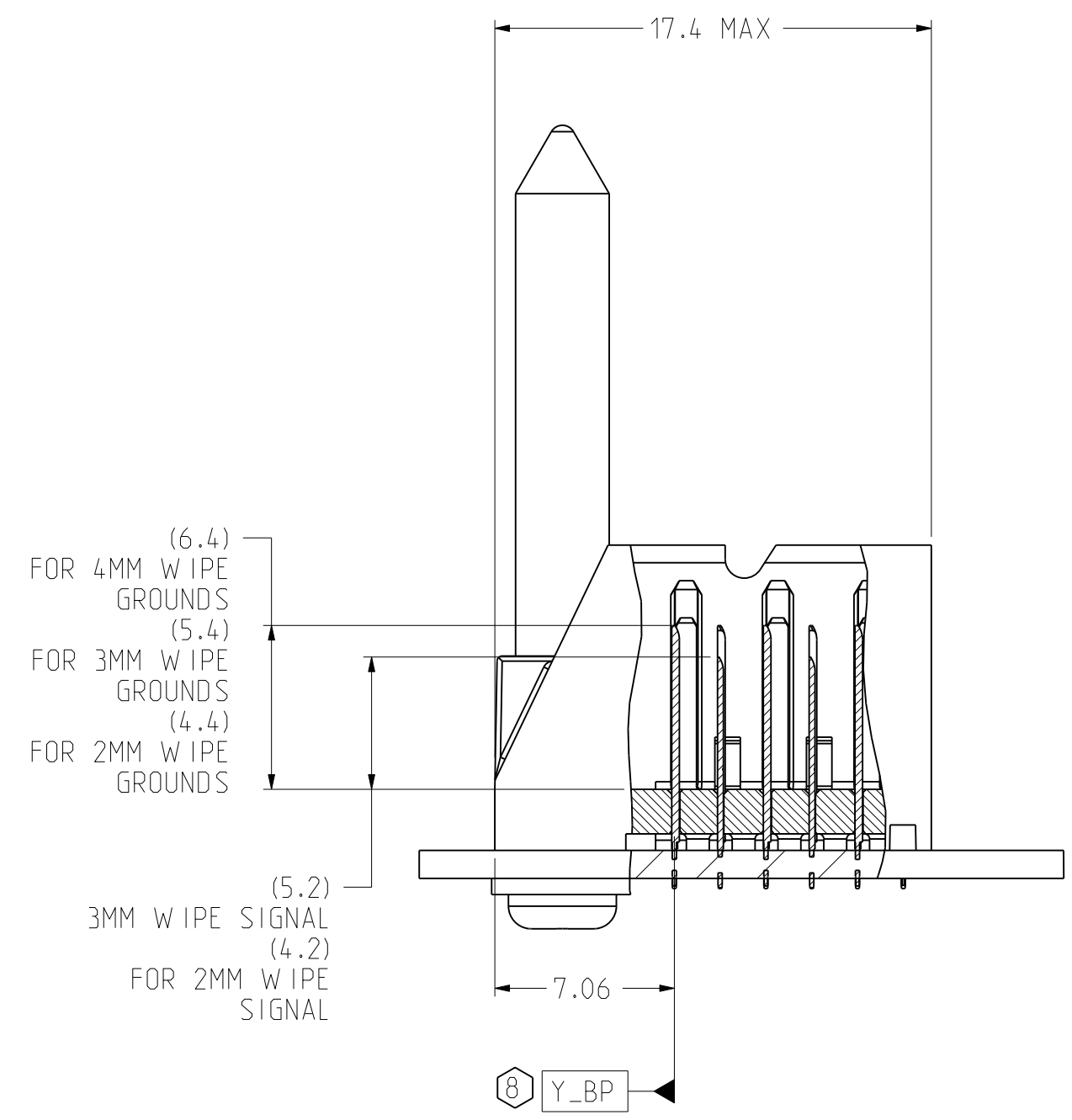
ZONE	REV	SCR NUMBER	DESCRIPTION	BY	DATE	APPROVED
			SEE SHEET 1			



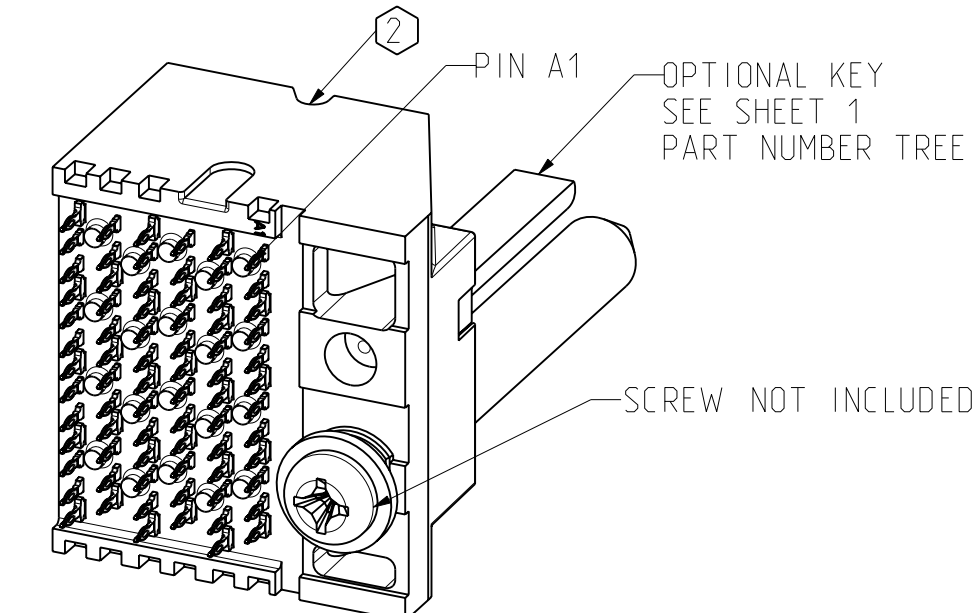
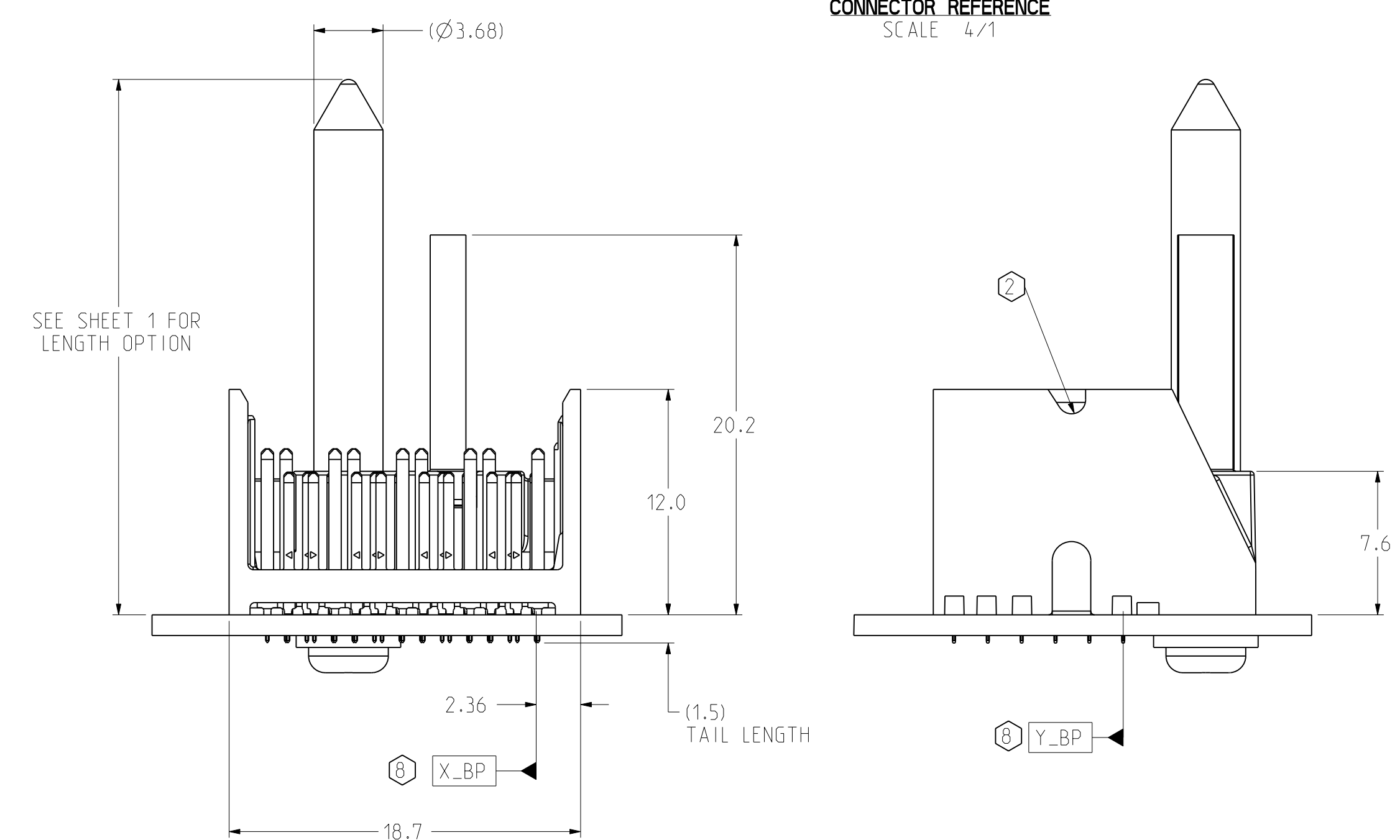
**LEFT POLARIZING/GUIDE BACKPLANE MODULE DIMENSION**



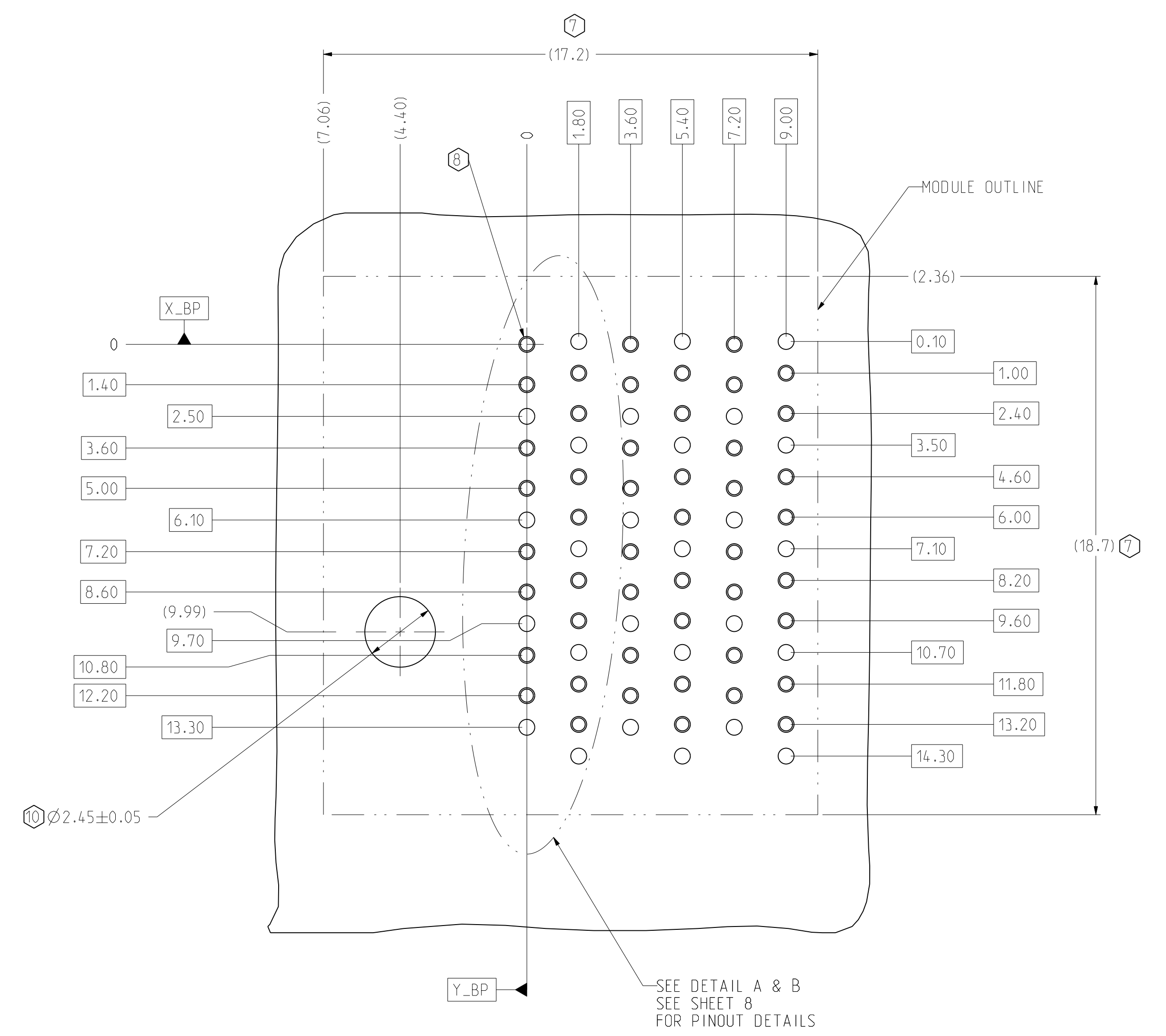
**CONNECTOR REFERENCE**  
SCALE 4/1



**SECTION Z-Z**



**ISOMETRIC VIEW**  
SCALE 3/1



**BP HOLE PATTERN COMPONENT SIDE**  
SCALE 8/1

**LEFT POLARIZING/GUIDE BACKPLANE FOOTPRINT**

TOLERANCES	DESIGN	DATE	DESIGNER
0.0	±0.25	12/18/2009	J.GIROUX
0.00	±0.13	01/29/2010	HCL-MH
0.000	± -	01/29/2010	GIROUX
ANGLES	± 3°	01/29/2010	APVD

**Amphenol TCS**  
A Division of Amphenol Corporation  
200 Innovative Way, Nashua, NH 03082 603.879.3000

TITLE BACKPLANE MODULES, VERTICAL MALE HEADER  
XCede HD, 4 PAIR 6 POSITION

PART NO. SEE PN TREE SHEET 1  
DRAWING NO. C-923-400C-500

UNLESS OTHERWISE SPECIFIED DIMENSIONS ARE IN MM. DECIMAL MARKER IS A PERIOD.  
ASSEMBLY: C-923-400C-500  
DRAWING: C-923-400C-500

INTERPRET PER ASME Y14.5M  
CODE IDENT 31413

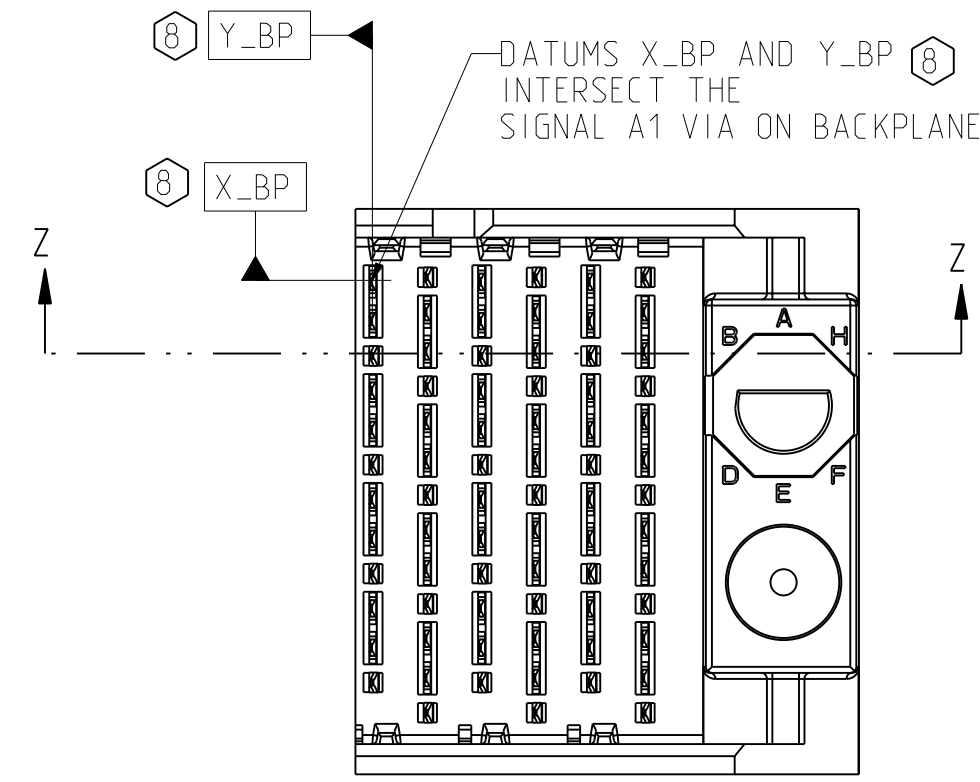
**CUSTOMER USE DRAWING**

SIZE D SCALE 1/1 SHEET 3 OF 8

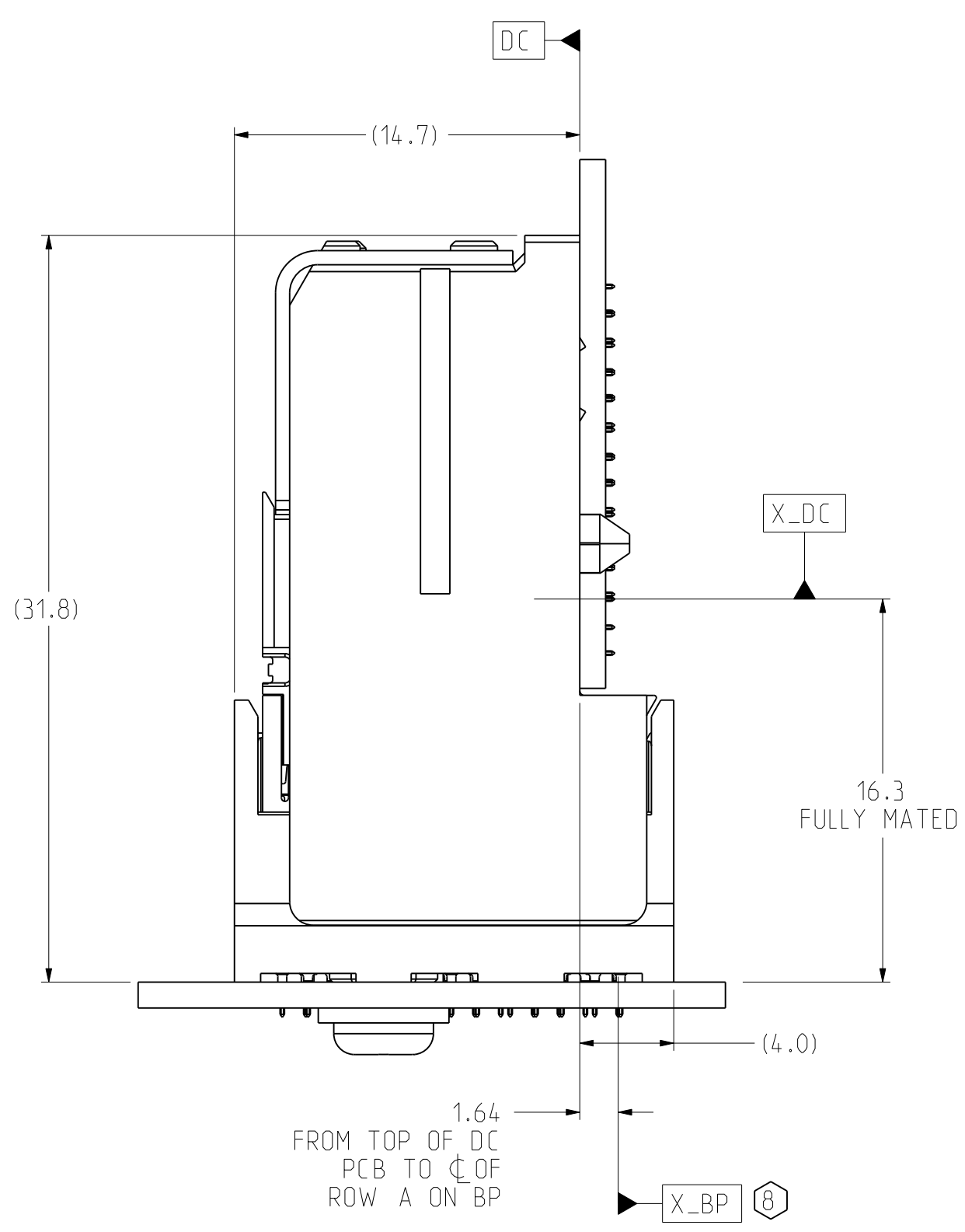
DRW NO. C-923-400C-500

SH 3 REV E

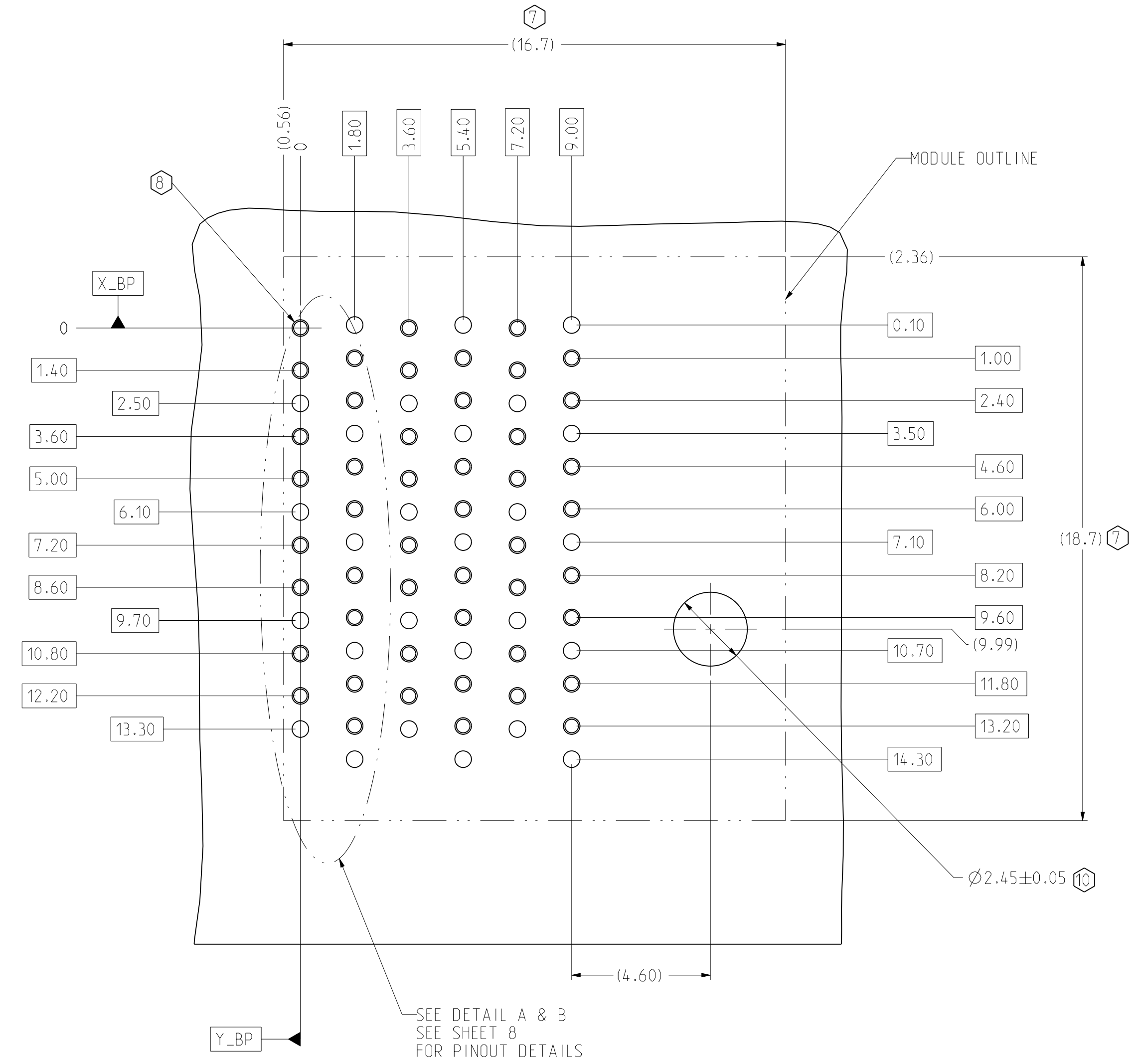
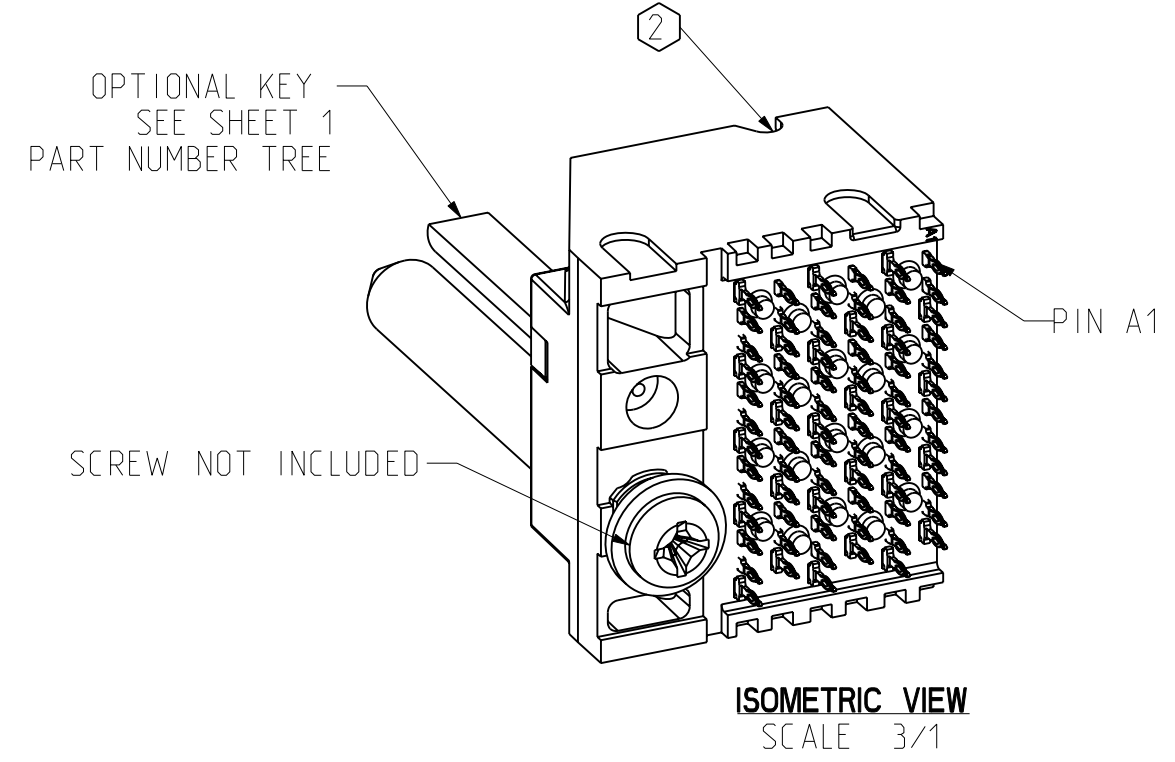
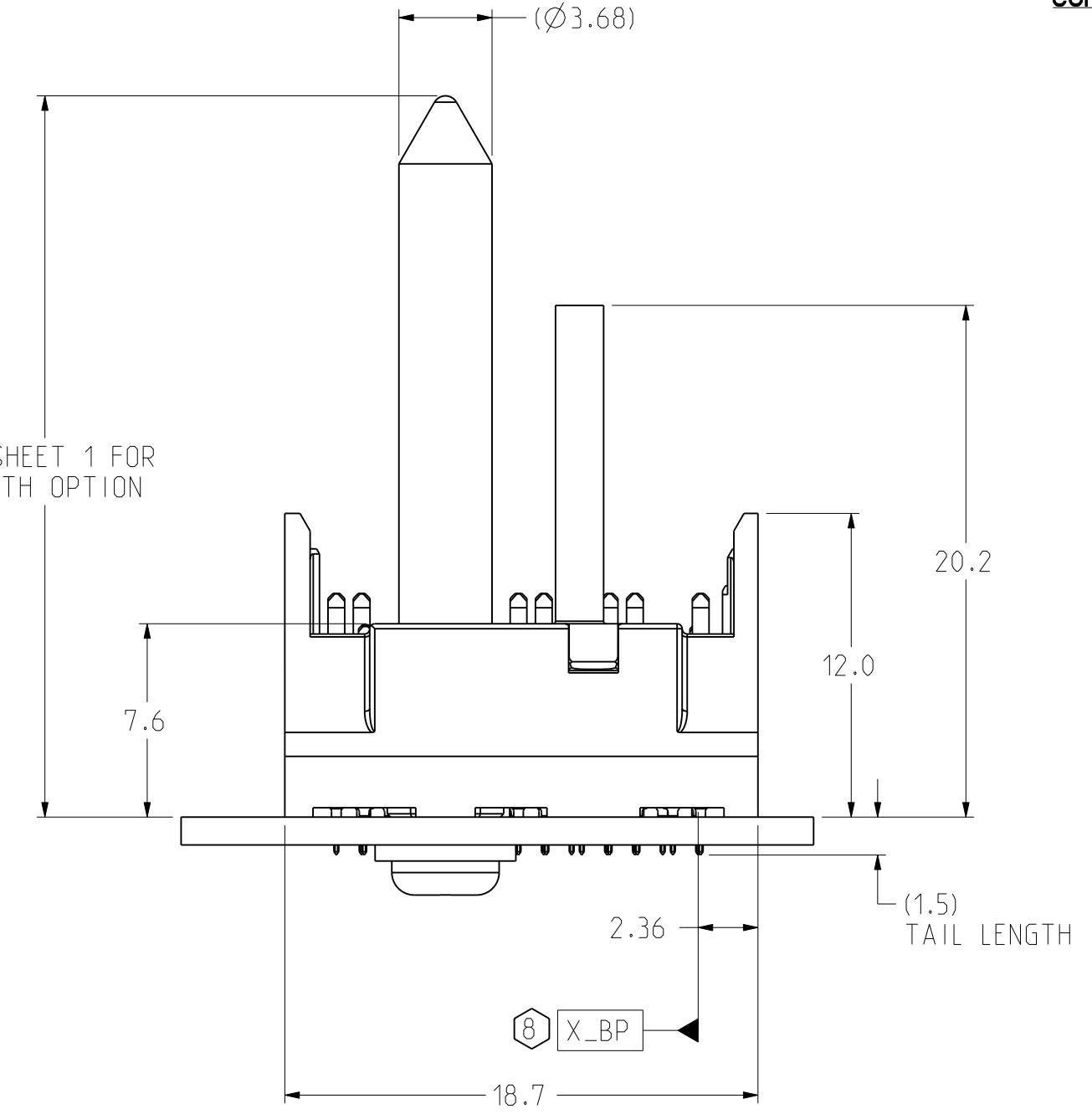
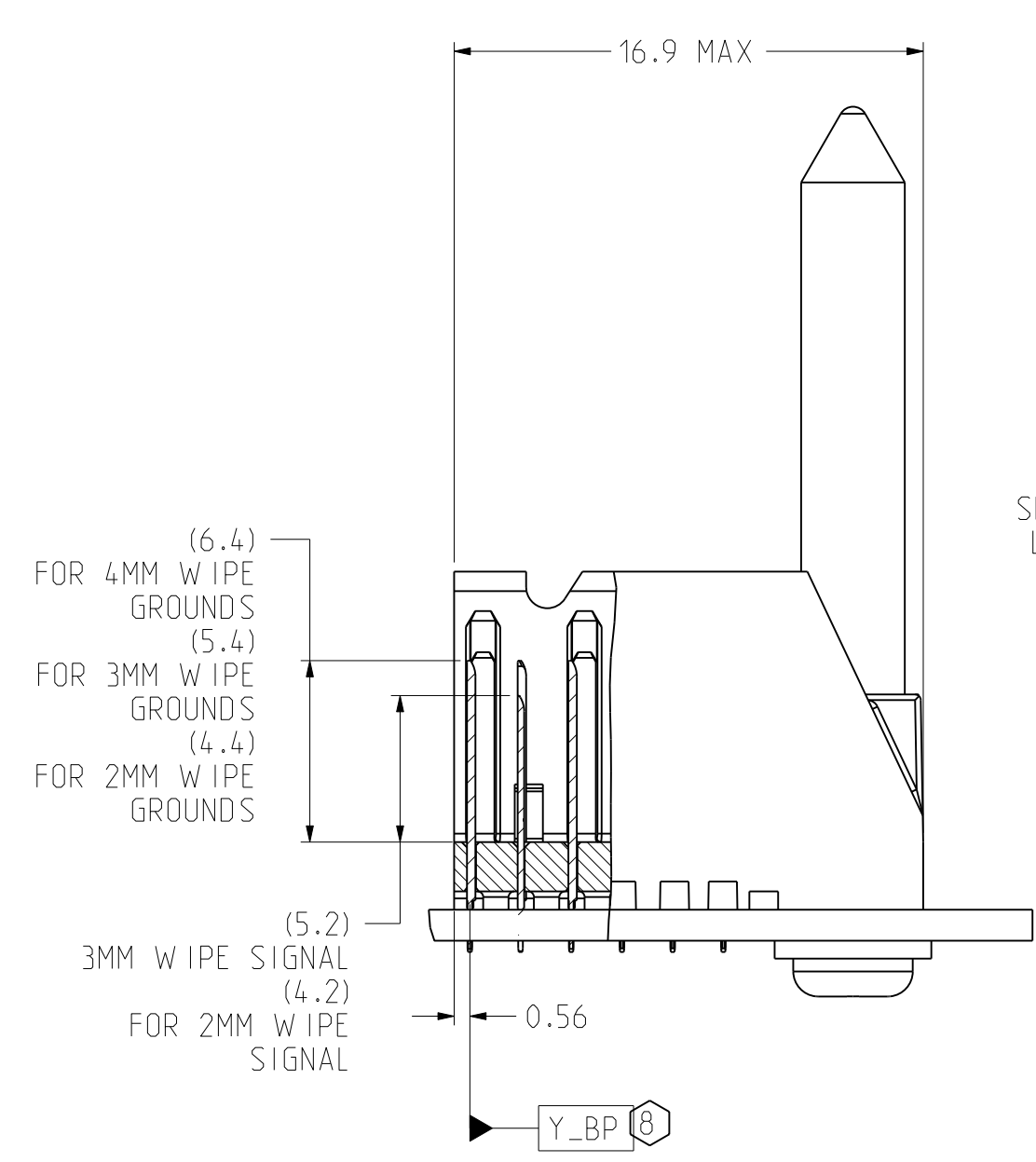
ZONE	REV	SCR NUMBER	DESCRIPTION	BY	DATE	APPROVED
			SEE SHEET 1			



**RIGHT POLARIZING/GUIDE BACKPLANE MODULE DIMENSION**



**CONNECTOR REFERENCE**  
SCALE 4/1



**RIGHT POLARIZING/GUIDE BACKPLANE FOOTPRINT**

TOLERANCES	DESIGN	DATE	DESIGNER
0.0	±0.25	12/18/2009	GIROUX
0.00	±0.13	01/29/2010	HCL-MH
0.000	± -	01/29/2010	GIROUX
ANGLES	± 3°	01/29/2010	APVD

**Amphenol TCS**  
A Division of Amphenol Corporation  
200 Innovative Way, Nashua, NH 03082 603.879.3000

TITLE	PART NO.	REV
BACKPLANE MODULES, VERTICAL MALE HEADER XCede HD, 4 PAIR 6 POSITION	SEE PN TREE SHEET 1	N/A
DRAWING NO.	C-923-400C-500	REV E

UNLESS OTHERWISE SPECIFIED DIMENSIONS ARE IN MM. DECIMAL MARKER IS A PERIOD

INTERPRET PER ASME Y14.5M  
CODE IDENT 31413

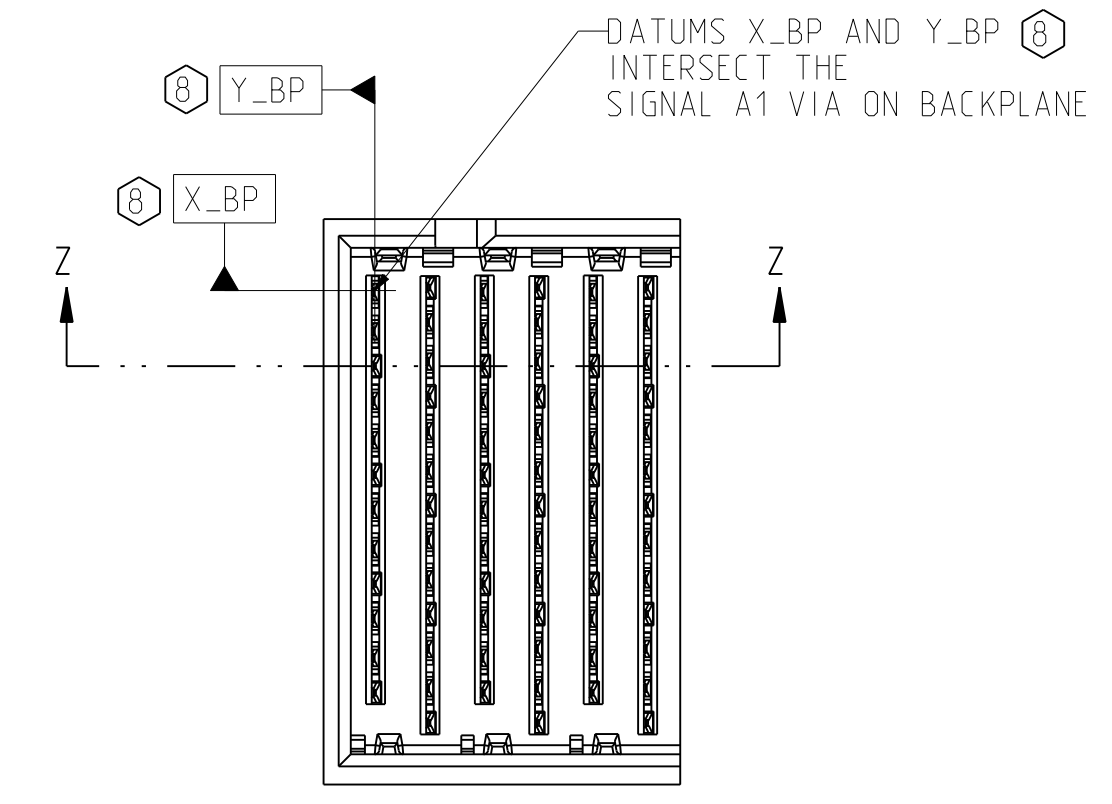
CUSTOMER USE DRAWING

ASSEMBLY	SCALE	SHEET
ASSEM: C923-400C-500 DRAWING: C923-400C-500	1/1	4 OF 8

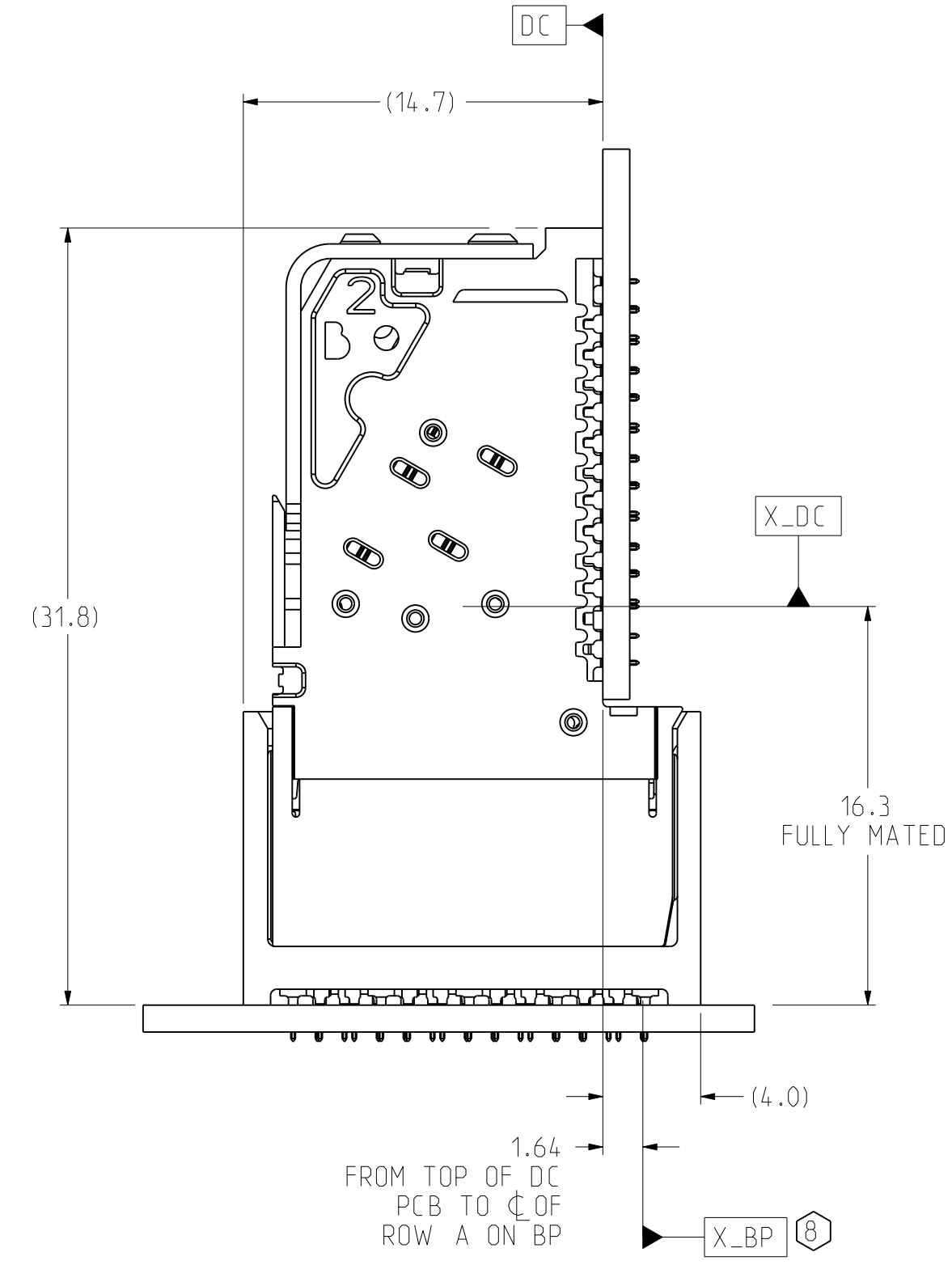
DRW NO. C-923-400C-500

SH 4 REV E

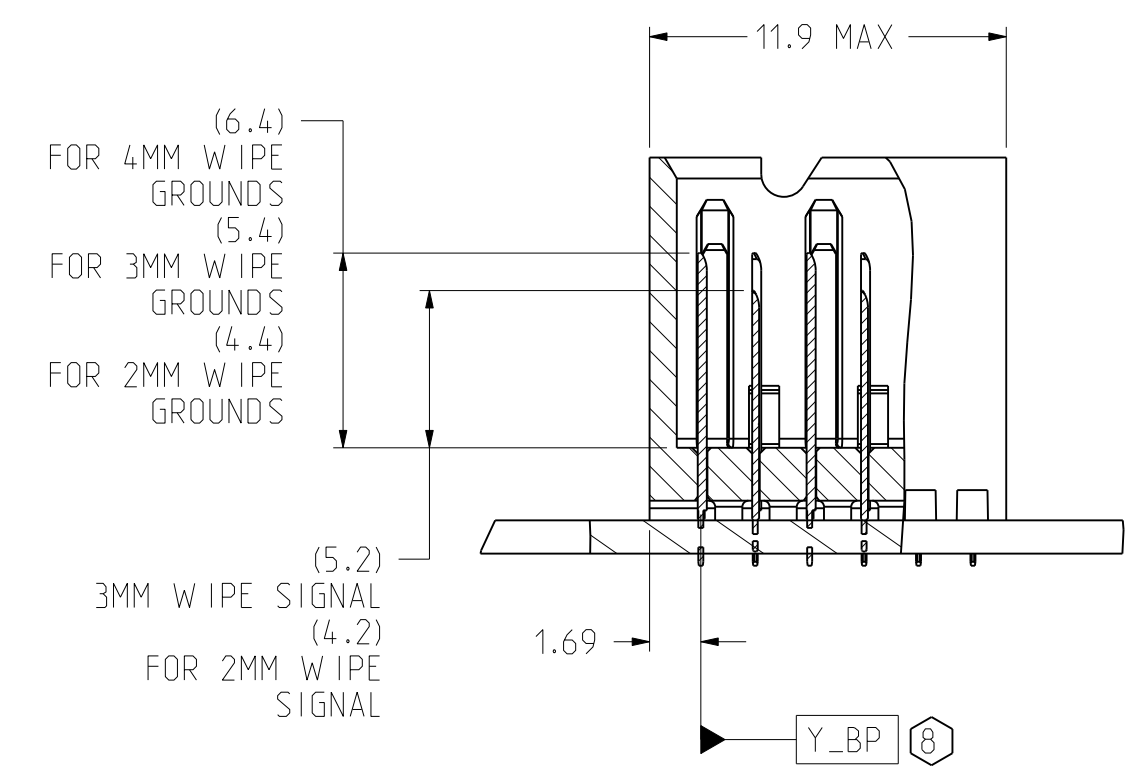
ZONE	REV	SCR NUMBER	DESCRIPTION	BY	DATE	APPROVED
			SEE SHEET 1			



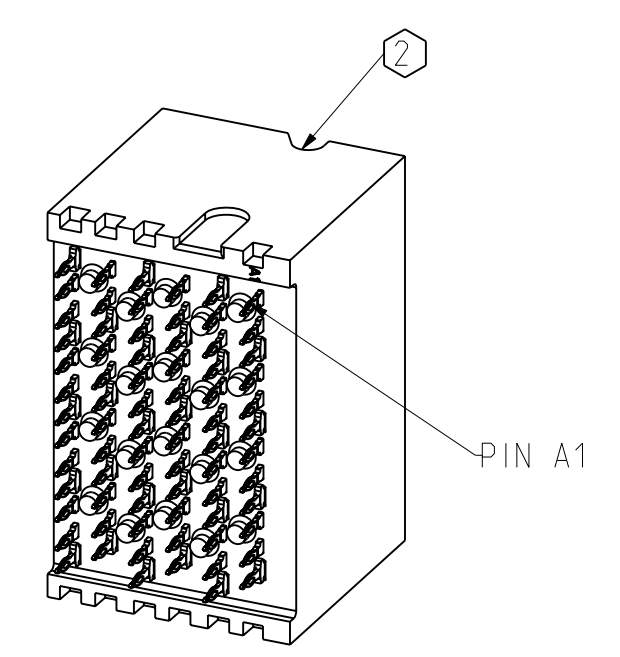
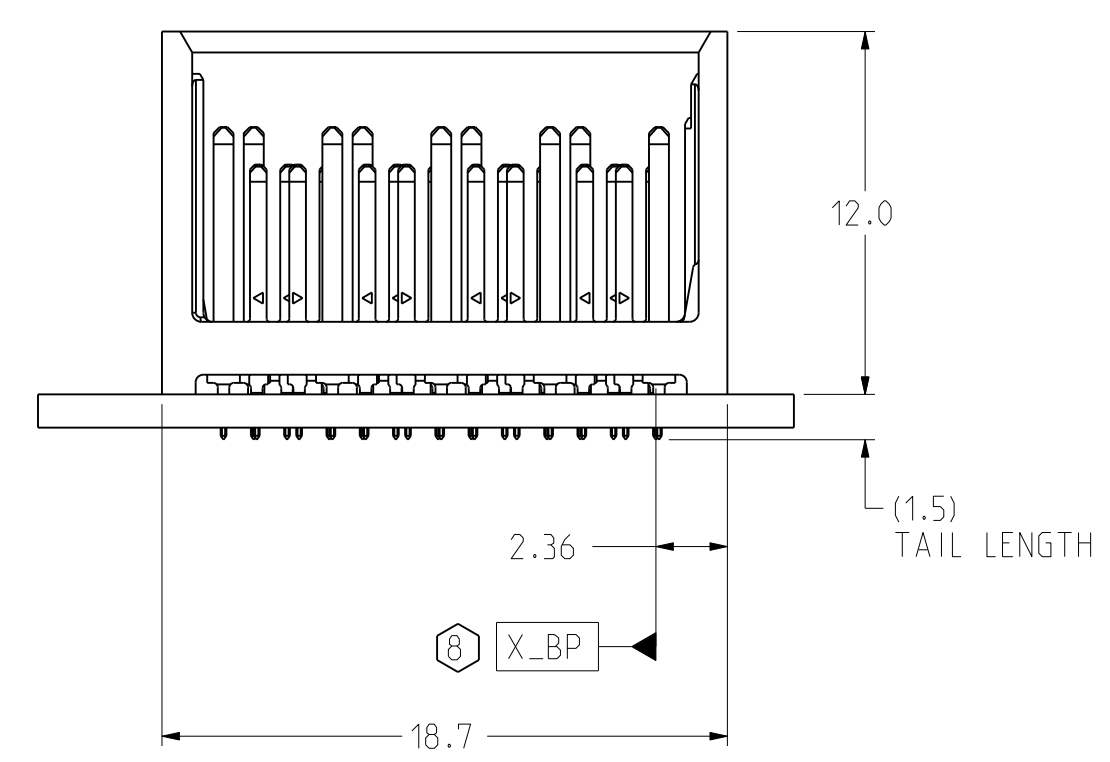
LEFT WALL BACKPLANE MODULE DIMENSION



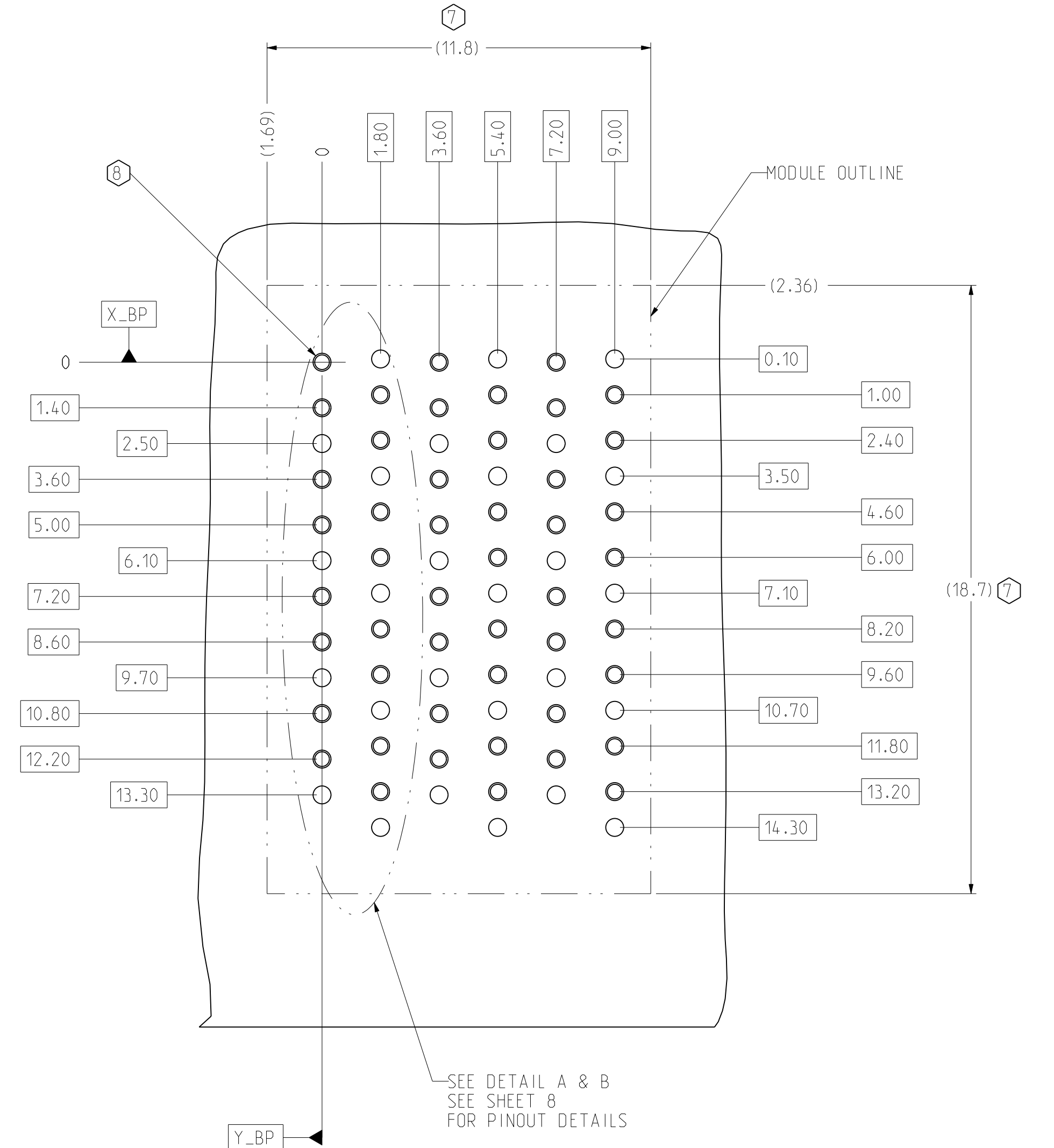
CONNECTOR REFERENCE SCALE 4/1



SECTION Z-Z



ISOMETRIC VIEW SCALE 3/1



BP HOLE PATTERN COMPONENT SIDE SCALE 8/1

LEFT WALL BACKPLANE FOOTPRINT

TOLERANCES	DESIGN	DATE	DESIGNER
0.0 ±0.25	12/18/2009		GIROUX
0.00 ±0.13	01/29/2010		HCL-MH
0.000 ± -	01/29/2010		GIROUX
ANGLES ± 3°	01/29/2010		APVD

**Amphenol TCS**  
A Division of Amphenol Corporation  
200 Innovative Way, Nashua, NH 03082 603.879.3000

TITLE BACKPLANE MODULES, VERTICAL MALE HEADER  
XCede HD, 4 PAIR 6 POSITION

PART NO.	SEE PN TREE SHEET 1	REV	N/A
DRAWING NO.	C-923-400C-500	REV	E
ASSEMBLY	ASSEM C923-400C-500	SCALE	1.6
DRAWING	DRAWING: C923-400C-500	SCALE	B.6
SIZE	D	SCALE	1/1
		SHEET	5 OF 8

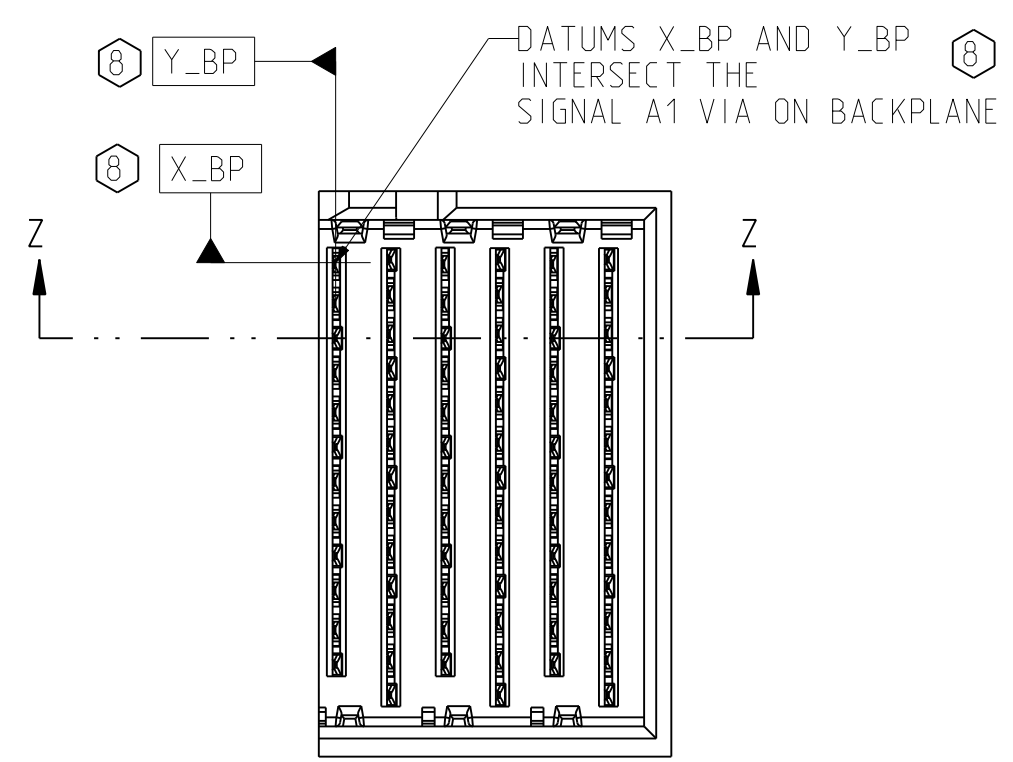
INTERPRET PER ASME Y14.5M  
CODE IDENT 31413

CUSTOMER USE DRAWING

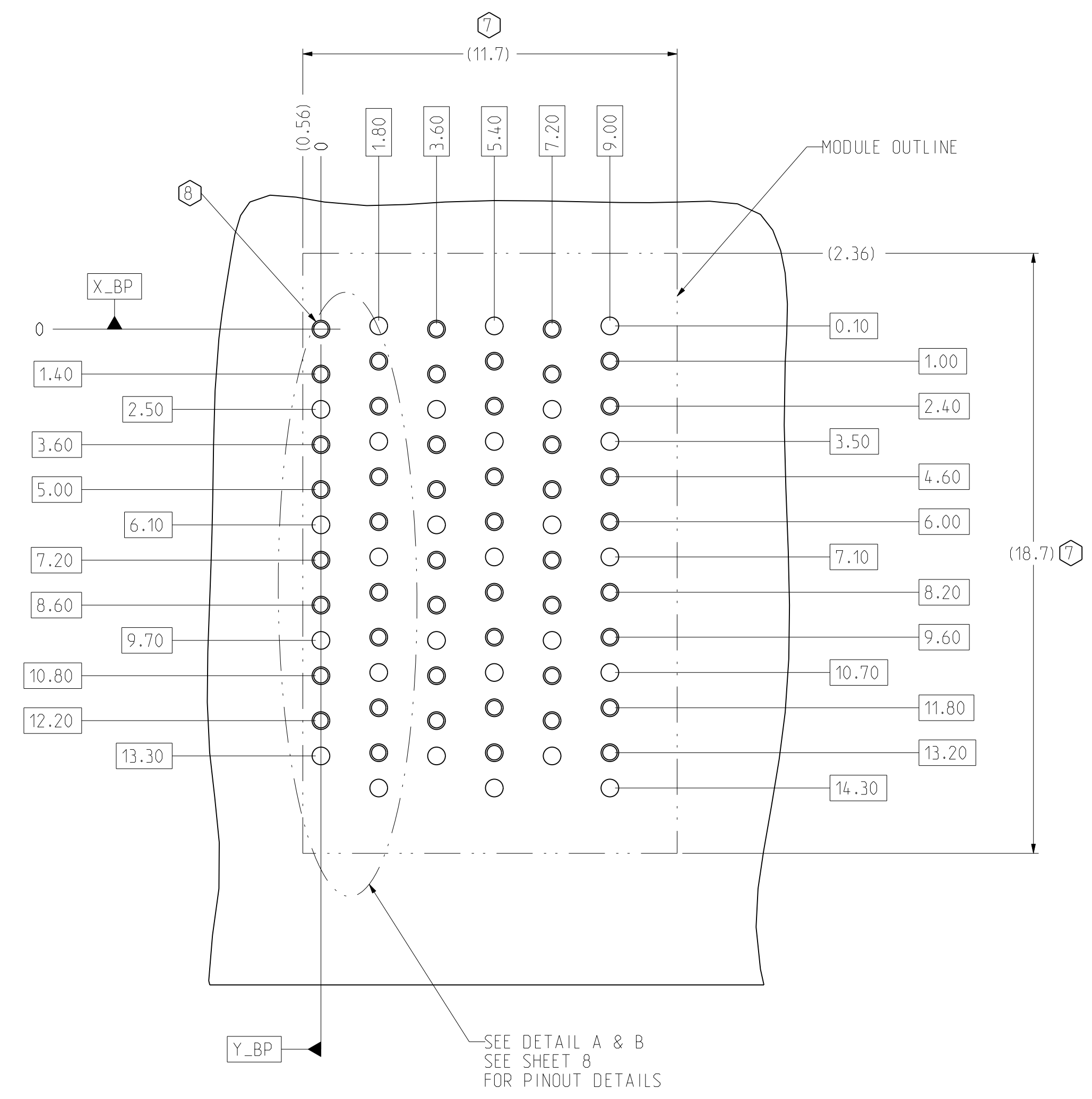
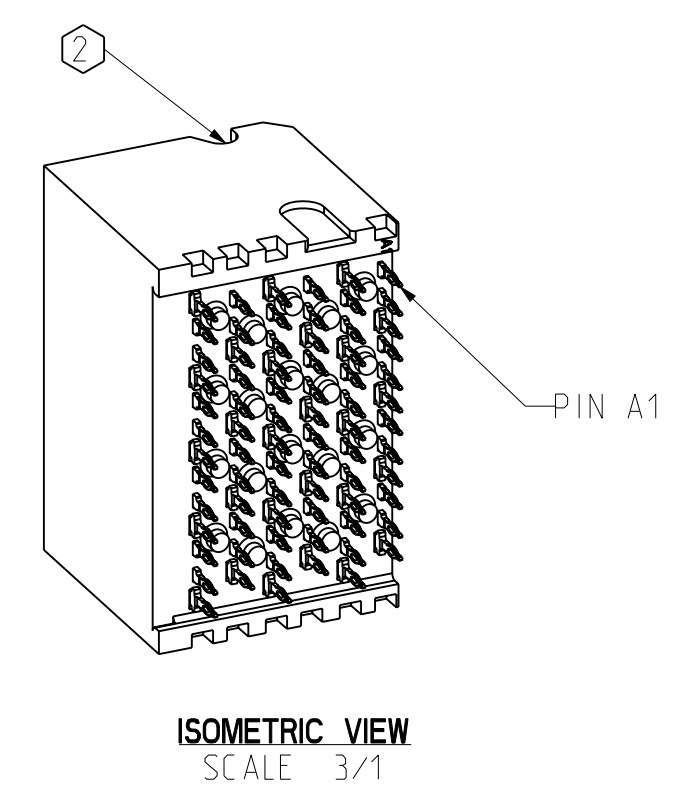
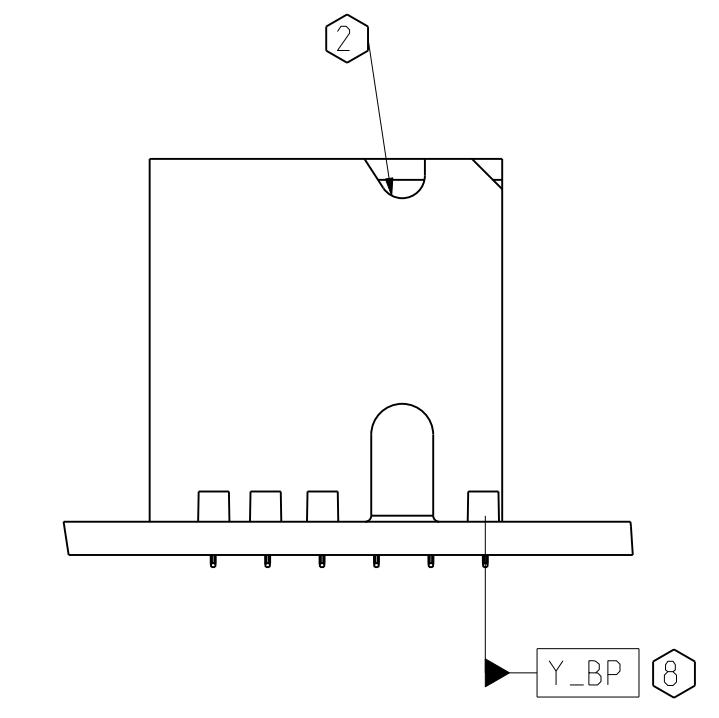
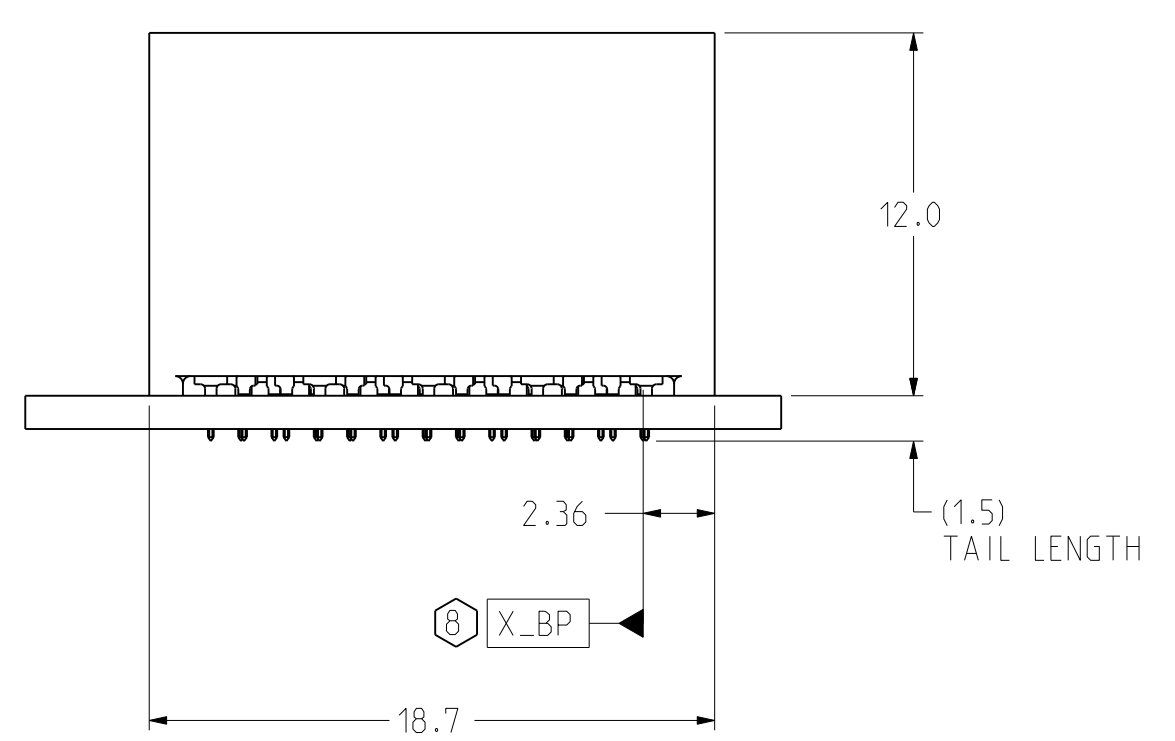
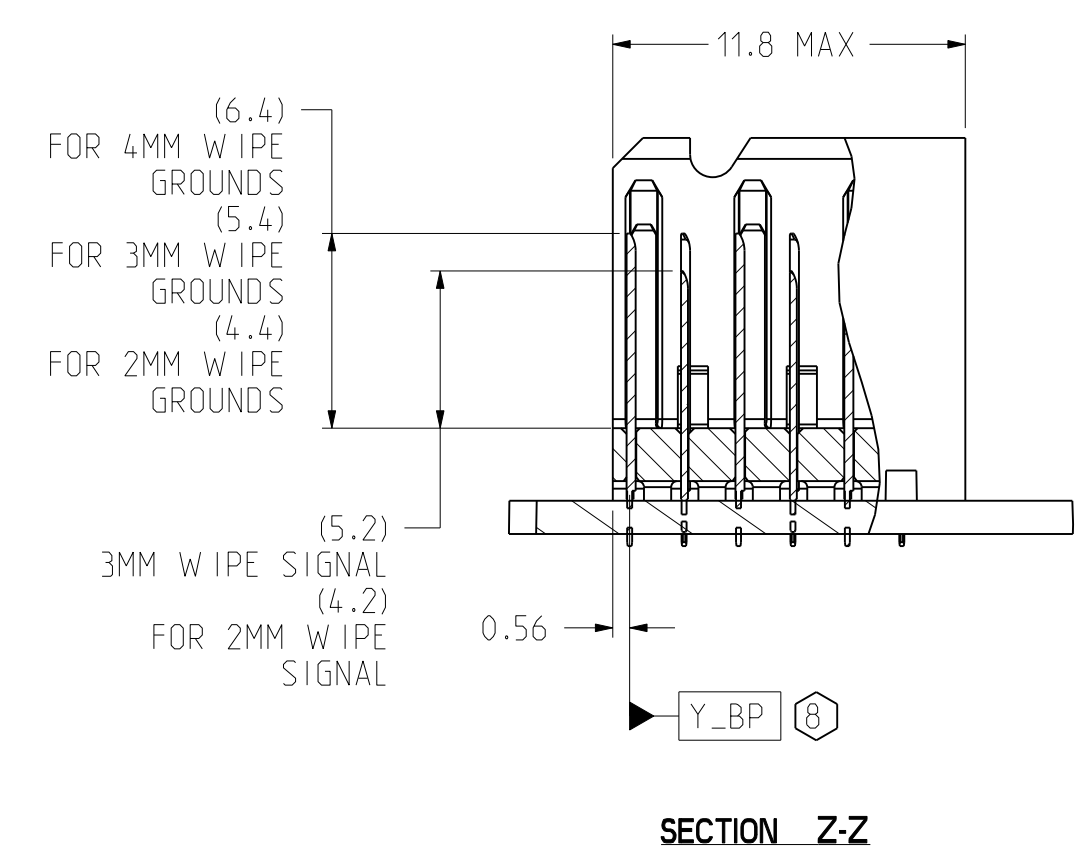
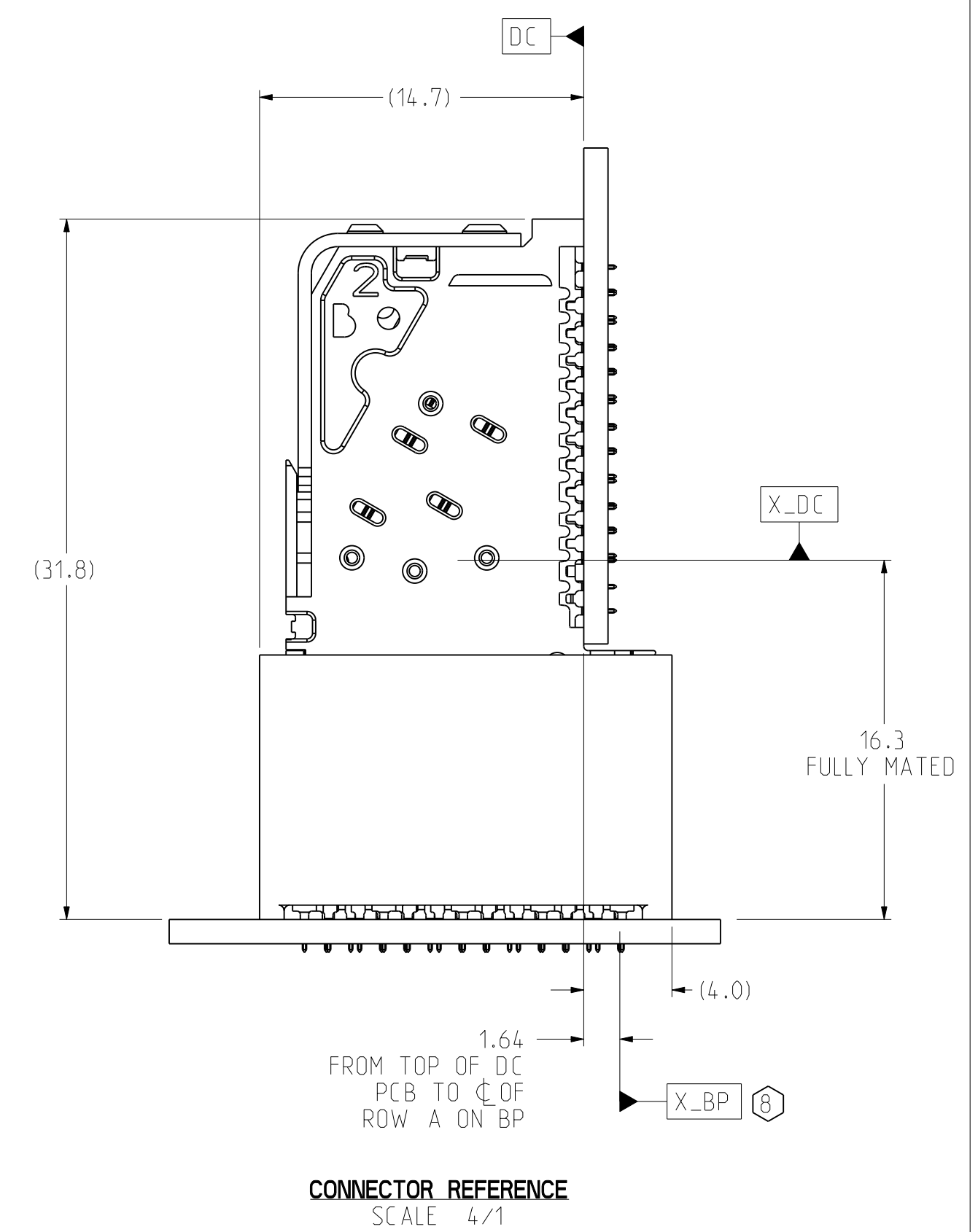
DRW NO. C-923-400C-500

SH 5 REV E

DRW NO.	C-923-400C-500	SH	6	REV	E	
ZONE	REV	SCR NUMBER	DESCRIPTION	BY	DATE	APPROVED
			SEE SHEET 1			



**RIGHT WALL BACKPLANE MODULE DIMENSION**



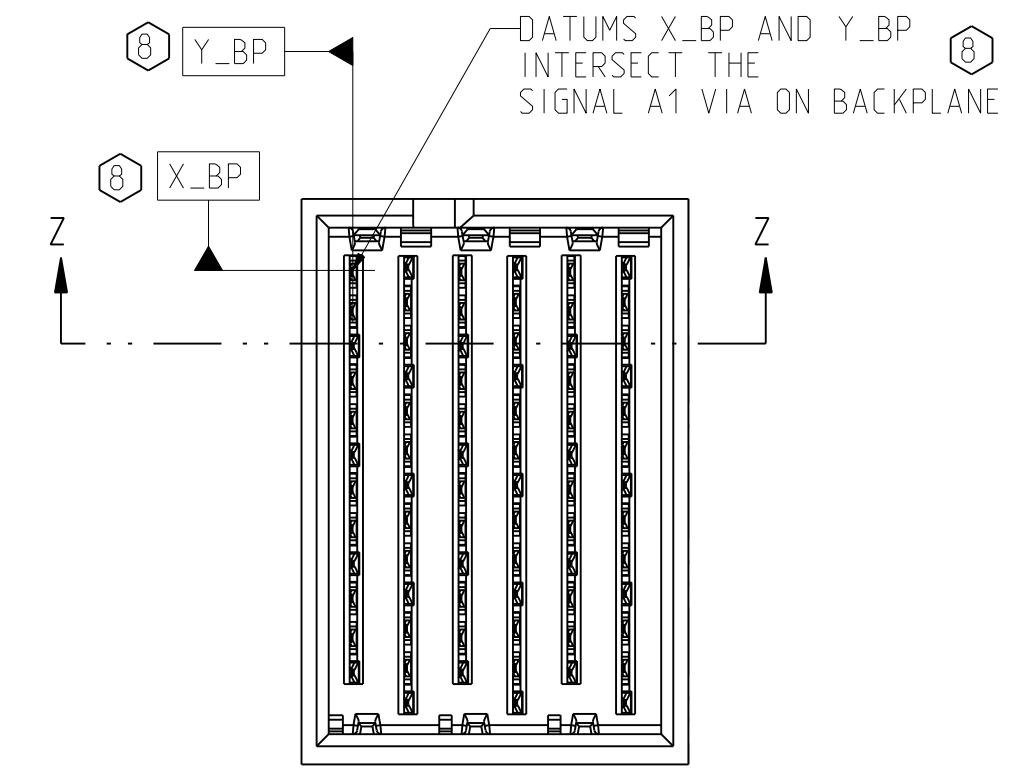
**RIGHT WALL BACKPLANE FOOTPRINT**

TOLERANCES	DESIGN 12/18/2009	<b>Amphenol TCS</b> A Division of Amphenol Corporation 200 Innovative Way, Nashua, NH 03062 603.879.3000	
0.0 ±0.25	GIROUX	TITLE	BACKPLANE MODULES, VERTICAL MALE HEADER XCede HD, 4 PAIR 6 POSITION
0.00 ±0.13	DRAWN 01/29/2010	HCL-MH	
0.000 ± -	CHK 01/29/2010	GIROUX	
ANGLES ± 3°	APVD 01/29/2010	GIROUX	
UNLESS OTHERWISE SPECIFIED DIMENSIONS ARE IN MM. DECIMAL MARKER IS A PERIOD		PART NO.	SEE PN TREE SHEET 1
INTERPRET PER ASME Y14.5M		REV	N/A
CODE IDENT 31413	CUSTOMER USE DRAWING	DRAWING NO.	C-923-400C-500
SCALE	1/1	ASSEM	C923-400C-500 1.6
SHEET	6 OF 8	DRAWING	C923-400C-500 B.6

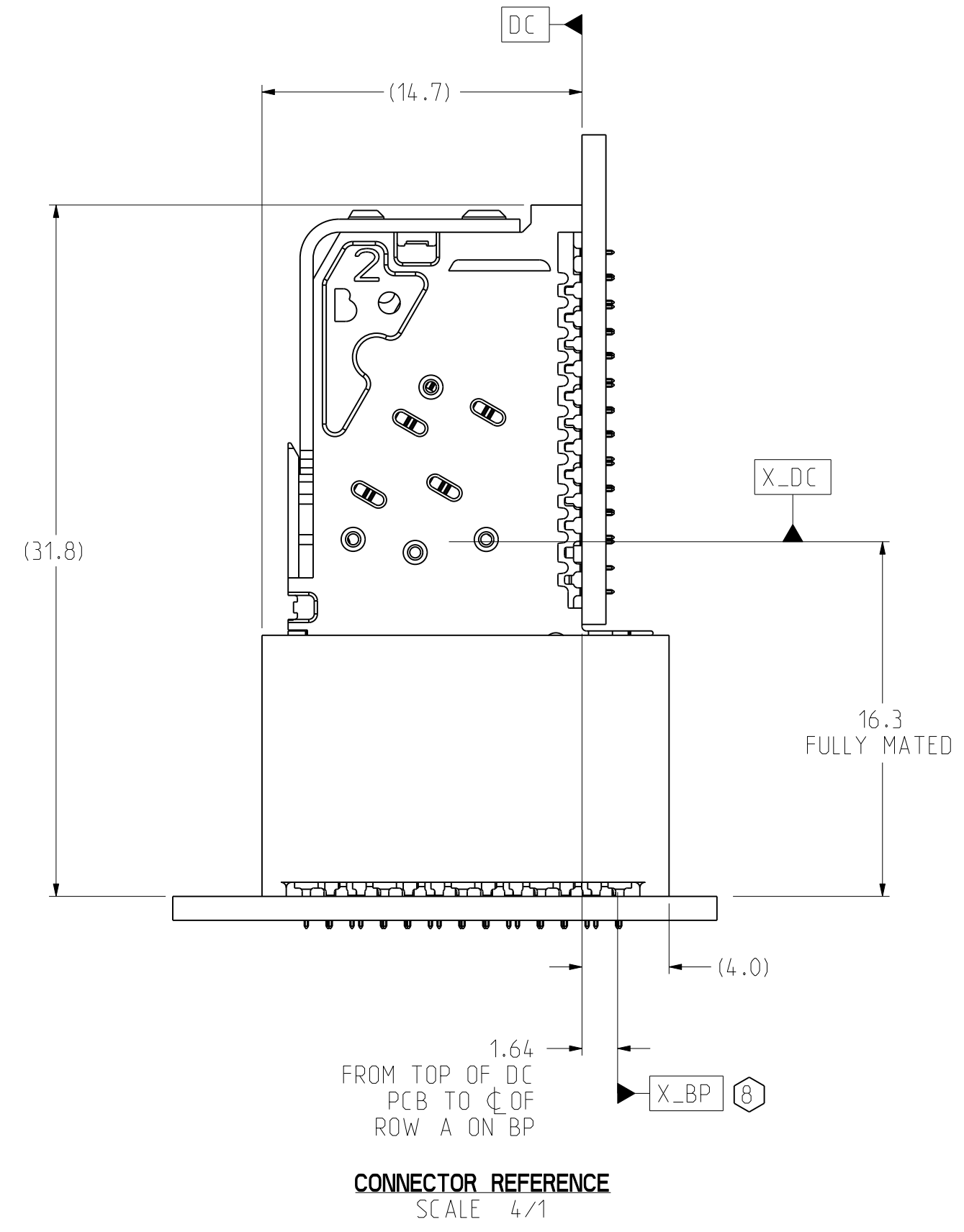
DRW NO. C-923-400C-500

SH 6 REV E

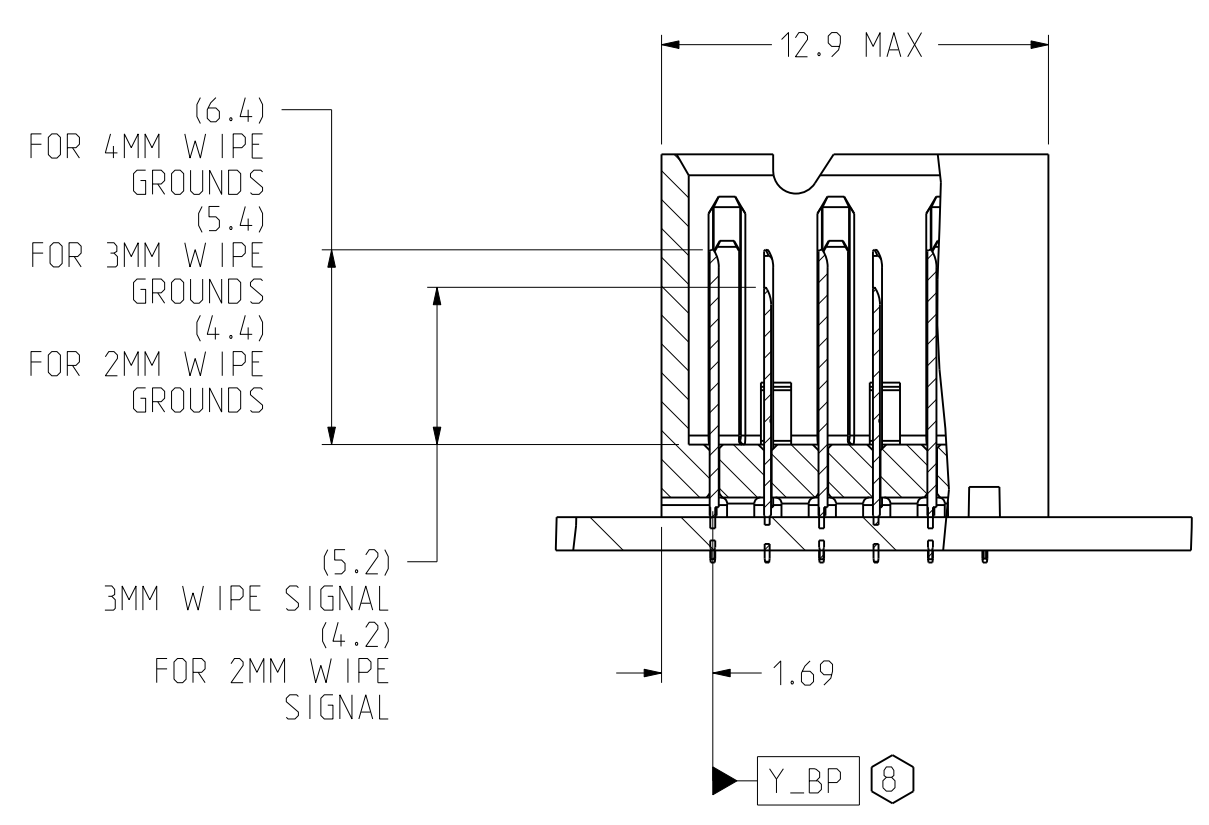
ZONE	REV	SCR NUMBER	DESCRIPTION	BY	DATE	APPROVED
			SEE SHEET 1			



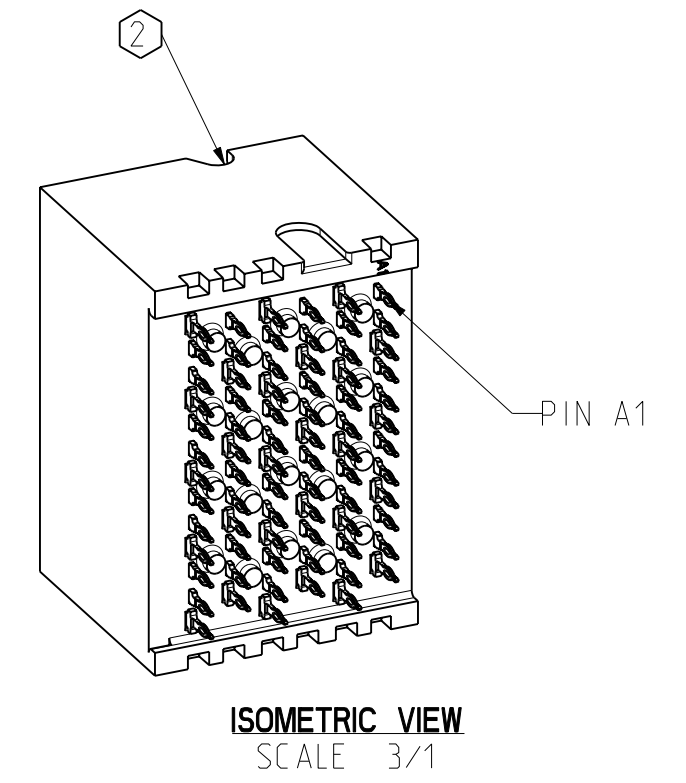
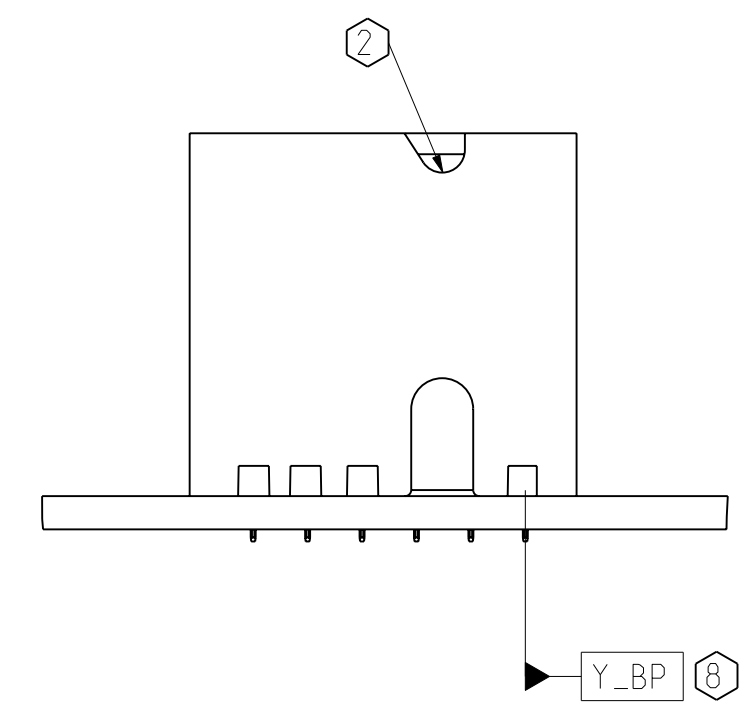
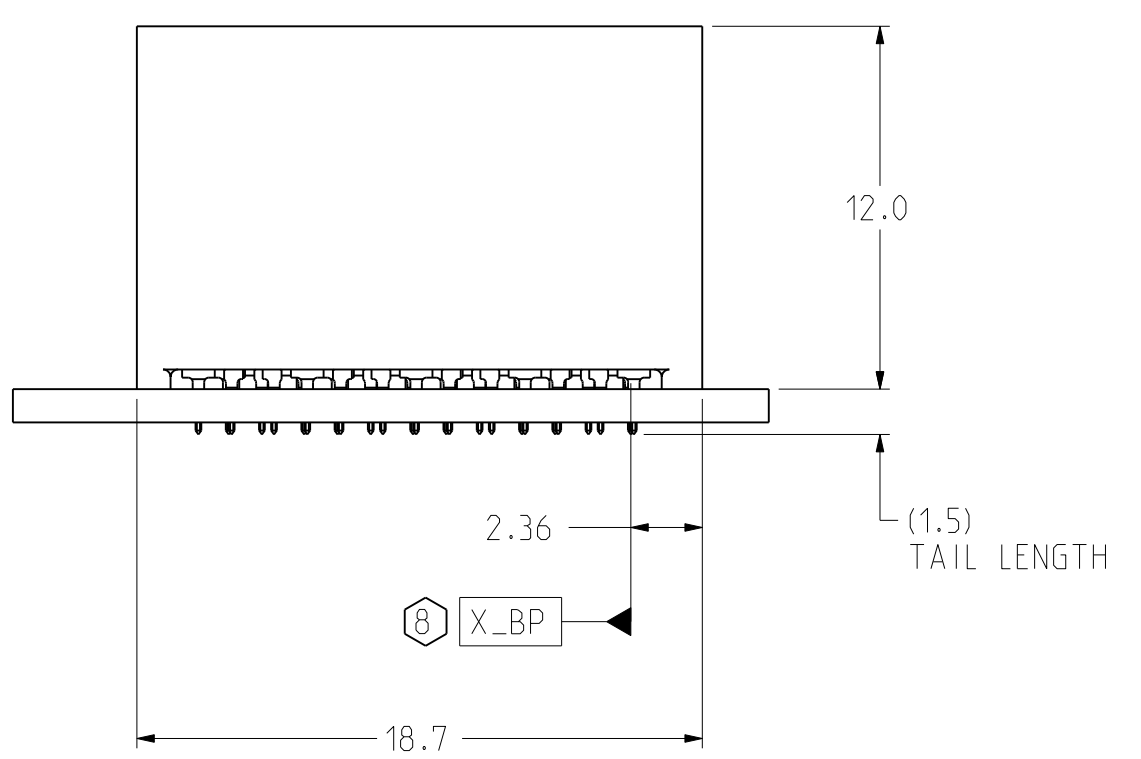
**TWO WALL BACKPLANE MODULE DIMENSION**



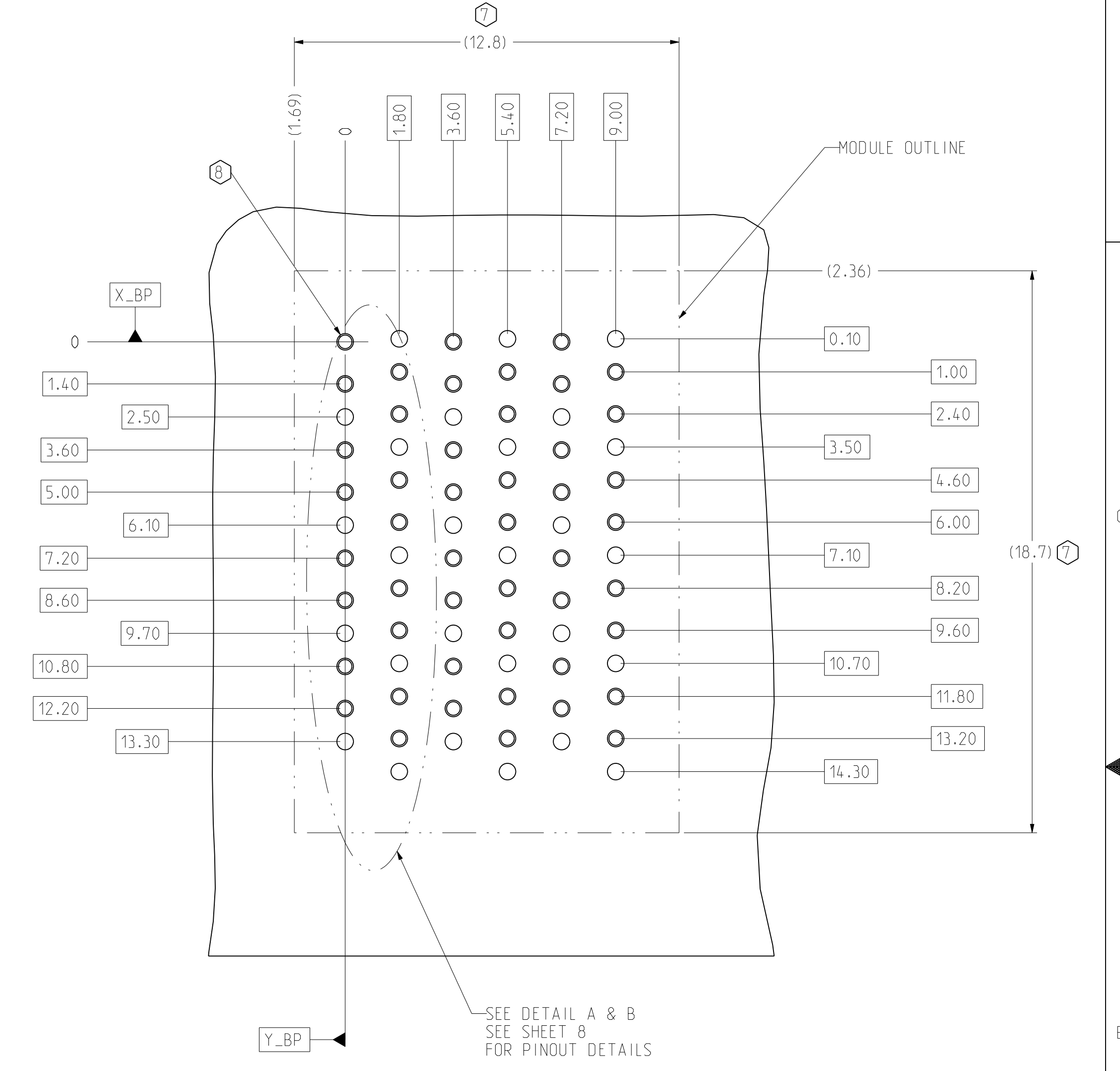
**CONNECTOR REFERENCE**  
SCALE 4/1



**SECTION Z-Z**



**ISOMETRIC VIEW**  
SCALE 3/1



**BP HOLE PATTERN**  
COMPONENT SIDE  
SCALE 8/1

**TWO WALL BACKPLANE FOOTPRINT**

TOLERANCES	DESIGN	DATE	DESIGNER
0.0	±0.25	12/18/2009	GIROUX
0.00	±0.13	01/29/2010	HCL-MH
0.000	± -	01/29/2010	GIROUX
ANGLES	± 3°	01/29/2010	APVD

**Amphenol TCS**  
A Division of Amphenol Corporation  
200 Innovative Way, Nashua, NH 03062 603.879.3000

TITLE BACKPLANE MODULES, VERTICAL MALE HEADER  
XCede HD, 4 PAIR 6 POSITION

PART NO. SEE PN TREE SHEET 1  
DRAWING NO. C-923-400C-500

UNLESS OTHERWISE SPECIFIED DIMENSIONS ARE IN MM. DECIMAL MARKER IS A PERIOD.

INTERPRET PER ASME Y14.5M  
CODE IDENT 31413

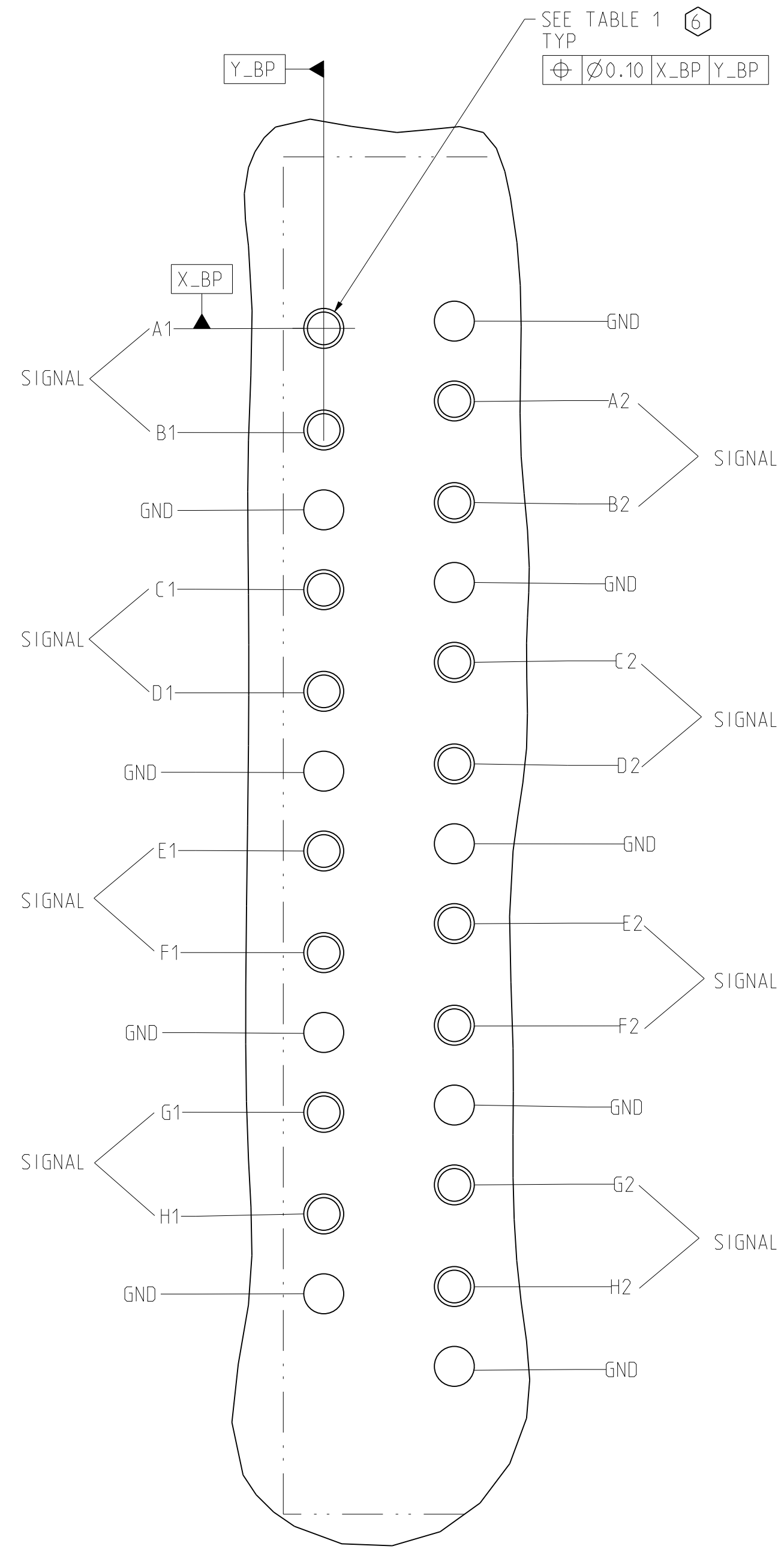
**CUSTOMER USE**  
**DRAWING**

ASSEM C923-400C-500 1.6  
DRAWING C923-400C-500 B.6  
SIZE D SCALE 1/1 SHEET 7 OF 8

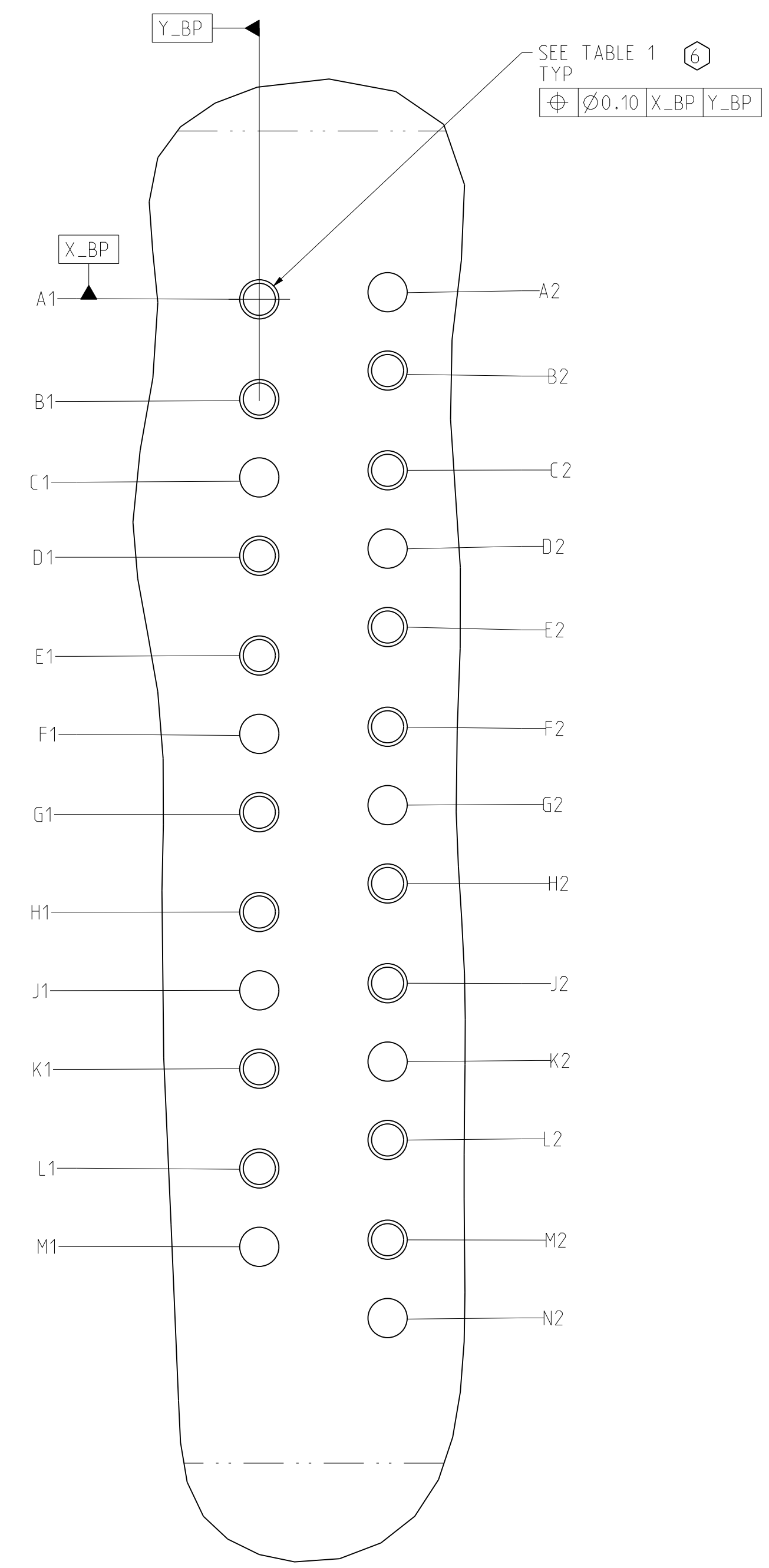
DRW NO. C-923-400C-500

SH 7 REV E

ZONE	REV	SCR NUMBER	DESCRIPTION	BY	DATE	APPROVED
			SEE SHEET 1			



**DETAIL A**  
HSD PINOUTS  
SCALE 16/1



**DETAIL B**  
LC PINOUTS  
SCALE 16/1

**TABLE 1**

	COMPLIANT PIN DRILL Ø.0217"	COMPLIANT PIN DRILL Ø.0177"
PTH	Ø0.45±0.05	Ø0.36±0.05
DRILL	Ø0.55 [.0217"]	Ø0.45 [.0177"]
PAD	Ø0.85	Ø0.75

TOLERANCES		DESIGN 12/18/2009 GIROUX	<b>Amphenol TCS</b> A Division of Amphenol Corporation 200 Innovative Way, Nashua, NH 03082 603.879.3000 TITLE BACKPLANE MODULES, VERTICAL MALE HEADER Xcede HD, 4 PAIR 6 POSITION	PART NO.	SEE PN TREE SHEET 1	REV	N/A
0.0	±0.25	DRAWN 01/29/2010 HCL-MH		DRAWING NO.	C-923-400C-500	REV	E
0.00	±0.13	CHK 01/29/2010 GIROUX		ASSEM	C923-400C-500	1.6	
0.000	± -	APVD 01/29/2010 GIROUX		DRAWING	C923-400C-500	B.6	
ANGLES ± 3°		UNLESS OTHERWISE SPECIFIED DIMENSIONS ARE IN MM. DECIMAL MARKER IS A PERIOD.		SIZE	D	SCALE	1/1
				SHEET 8 OF 8			

INTERPRET PER ASME Y14.5M  
 CODE IDENT 31413

**CUSTOMER USE  
DRAWING**