

ZONE	REV	ECN	DESCRIPTION	BY	DATE	APPROVED
SHT3. D3 SHT4. B2 SHT9. C5. C2	B	BWAG-A2FATP.VER01	DIM (4.40) WAS (4.50) DIM (4.60) WAS (4.50) DIM (13.60) WAS (13.50) REMOVED 85 OHM ON TITLE BLOCK REMOVED N & Z FROM 5TH DIGIT IN P/N TREE UPDATE NOTES 1 AND 10	HCL-PS	09/23/2015	B.W ANG
	C	DCOY-A8QN9P.VER01	UPDATED PART MARKING REQUIREMENTS	HCL-SD	05/10/2016	D.COVEY
SHT1 A8	D	JXUU-18013101	NOTE 7 UPDATED BY ADDING C-190-0009-000. UPDATED CONNECTOR MAXIMUM OVERALL DIMENSION.	HCL-SH	02/19/2018	J.XU

XCede HD PLUS BACKPLANE MODULE MALE STANDARD LOAD

9 2 6 - 4 X 1 C - X X X

4 PAIR

6-POSITION

LETTER	PLATING
D	NI SULFAMATE, STANDARD GOLD, LEADFREE
E	NI SULFAMATE, HIGH GOLD, LEADFREE
H	NANO NI, STANDARD GOLD, LEADFREE
J	NANO NI, HIGH GOLD, LEADFREE

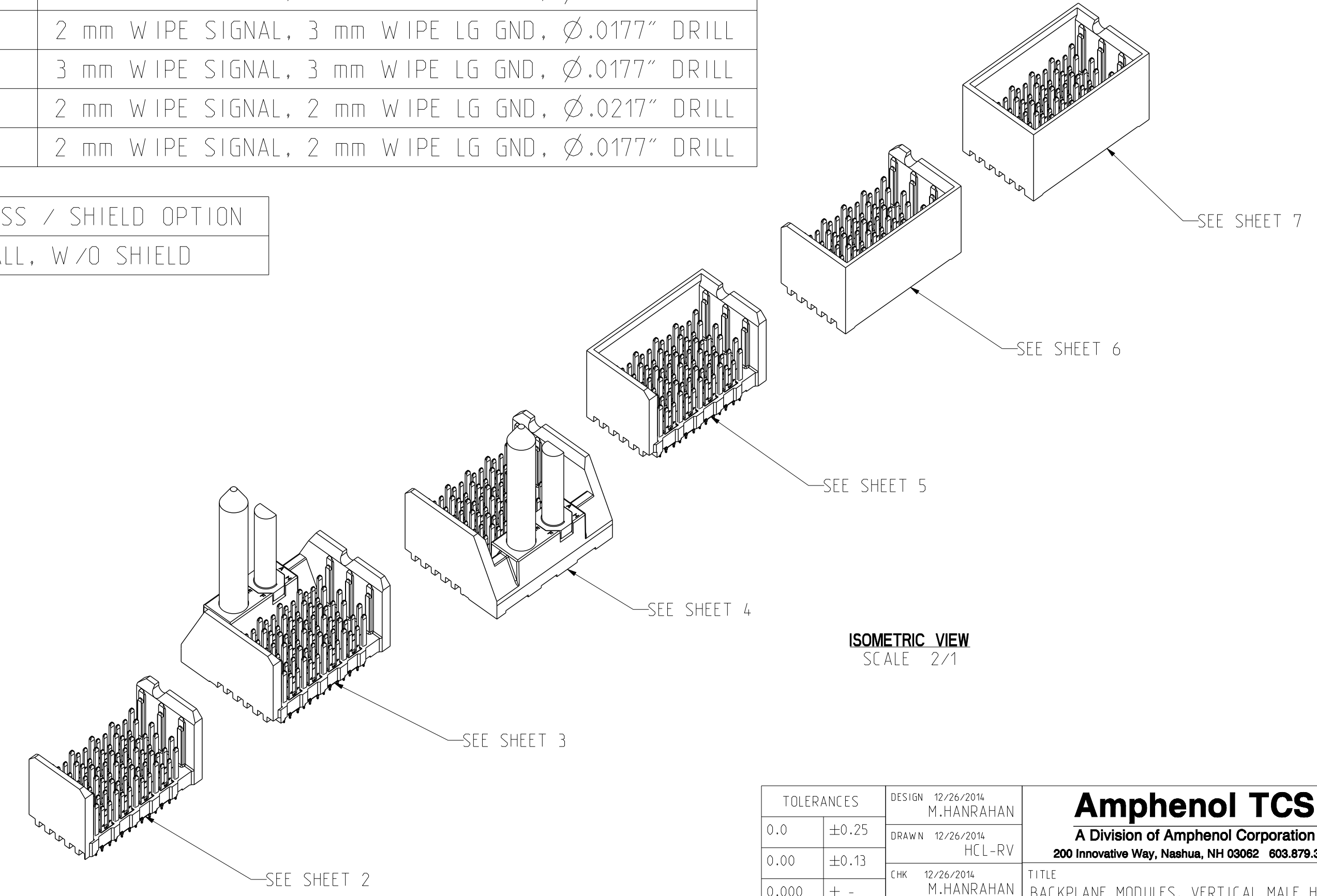
NUMBER	PIN STYLE, HEIGHT
0	GUIDE PIN MACHINED, 28.5mm / OPEN MODULE

NUMBER	SIGNAL & LG. GROUND WIPE LENGTH, COMPLIANT PIN SIZE
1	2 mm WIPE SIGNAL, 4 mm WIPE LG GND, Ø.0217" DRILL
2	3 mm WIPE SIGNAL, 4 mm WIPE LG GND, Ø.0217" DRILL
3	2 mm WIPE SIGNAL, 4 mm WIPE LG GND, Ø.0177" DRILL
4	3 mm WIPE SIGNAL, 4 mm WIPE LG GND, Ø.0177" DRILL
5	2 mm WIPE SIGNAL, 3 mm WIPE LG GND, Ø.0217" DRILL
6	3 mm WIPE SIGNAL, 3 mm WIPE LG GND, Ø.0217" DRILL
7	2 mm WIPE SIGNAL, 3 mm WIPE LG GND, Ø.0177" DRILL
8	3 mm WIPE SIGNAL, 3 mm WIPE LG GND, Ø.0177" DRILL
C	2 mm WIPE SIGNAL, 2 mm WIPE LG GND, Ø.0217" DRILL
D	2 mm WIPE SIGNAL, 2 mm WIPE LG GND, Ø.0177" DRILL

NUMBER	WALL THICKNESS / SHIELD OPTION
1	THICK WALL, W/O SHIELD

NOTE: ONLY THREE MOST RECENT RELEASED REVISIONS DISPLAYED.

	LETTER								
LEFT POLARIZING GUIDANCE (SEE SHEET 3)	J (NO KEY)	A	B	C	D	E	F	G	H
RIGHT POLARIZING GUIDANCE (SEE SHEET 4)	Y (NO KEY)	P	Q	R	S	T	U	V	W
OPEN (SEE SHEET 2)	O (ZERO)								
LEFT WALL (SEE SHEET 5)	L								
RIGHT WALL (SEE SHEET 6)	M								
TWO WALL (SEE SHEET 7)	1								

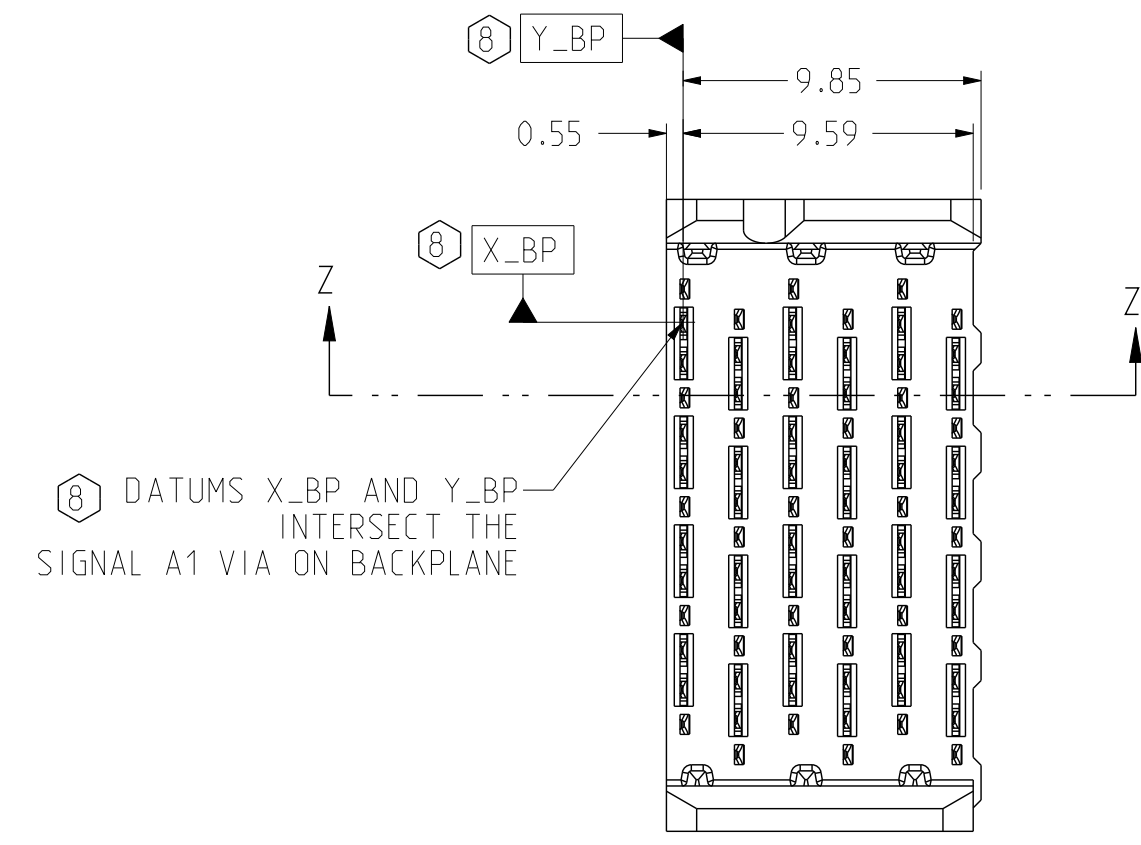


- NOTES:
- REFER TO TB-2308 FOR XCede HD PLUS PRODUCT SPECIFICATIONS.
 - NOTCH DESIGNATES "ROW A" SIDE OF SHROUD. NOTCH FEATURE ON OPPOSITE SIDE FROM PART MARKING.
 - SEE TB-2325 FOR PART MARKING REQUIREMENTS.
 - PLATING THICKNESS OF SIGNAL CONTACT AND GROUND CONTACT IS DETERMINED BY PLATING CODE. SEE PART NUMBER TREE SHEET 1.
 - REPAIR PROCEDURE FOR MODULE. SEE TB-2245.
 - SEE TB-2237 FOR ROUTING GUIDELINES & PTH REQ'S.
 - SEE DOC C-190-0009-000 FOR TOOLING KEEPOUT ZONES.
 - BACKPLANE DATUM REFERENCE.
 - DIMENSIONS APPLY FOR BOTH COMPLIANT PIN SIZES.
 - OPTIONAL HOLE/MOUNTING SCREW LOCATION FOR GROUNDED PIN OR ADDITIONAL GUIDE PIN SUPPORT. SEE DRAWING C914-4010-000 FOR OPTIONAL HOLE DETAILS. ONLY APPLIES FOR MACHINED GUIDE PIN APPLICATIONS.
 - SURFACE TRACES IN MODULE OUTLINE NOT RECOMMENDED.

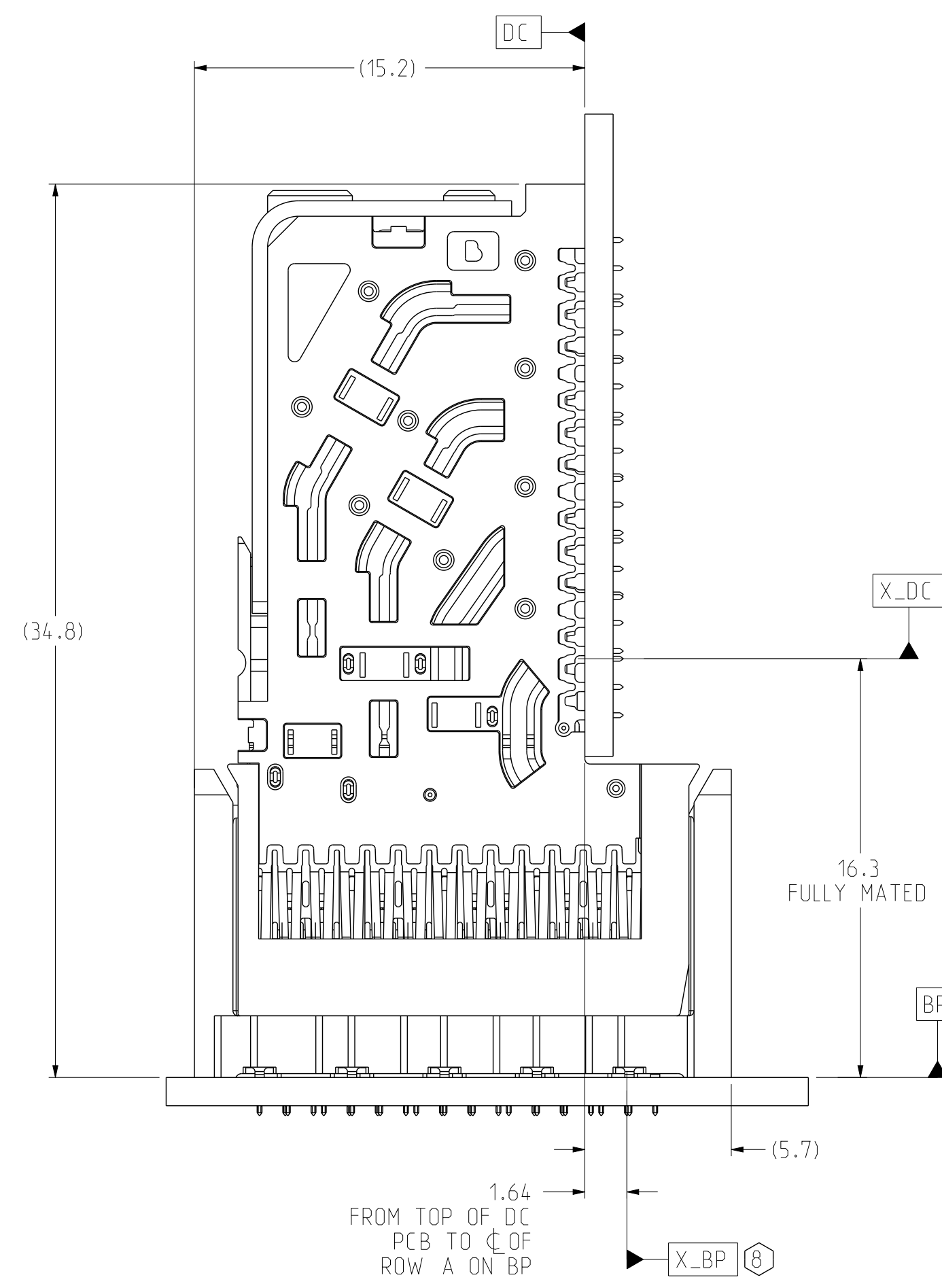
TOLERANCES	DESIGN	12/26/2014 M.HANRAHAN	Amphenol TCS A Division of Amphenol Corporation 200 Innovative Way, Nashua, NH 03082 603.879.3000	
0.0	±0.25	DRAWN	12/26/2014 HCL-RV	TITLE BACKPLANE MODULES, VERTICAL MALE HEADER XCede HD PLUS, 4 PAIR 6 POS, THICK WALL WITH EXTRA GROUND
0.00	±0.13	CHK	12/26/2014 M.HANRAHAN	
0.000	± -	APVD	12/26/2014 M.HANRAHAN	PART NO. SEE PN TREE SHEET 1 REV N/A
ANGLES	± 3°	DRAWING NO. C-926-401C-500		
UNLESS OTHERWISE SPECIFIED DIMENSIONS ARE IN MM. DECIMAL MARKER IS A PERIOD.				
CUSTOMER USE DRAWING				
ASSEM: C926-401C-500_XG 0.1 DRAWING: C926-401C-500 0.6				
SIZE D		SCALE 1/1		SHEET 1 OF 9

INTERPRET PER ASME Y14.5M
CODE IDENT 31413

ZONE	REV	ECN	DESCRIPTION	BY	DATE	APPROVED
			SEE SHEET 1			

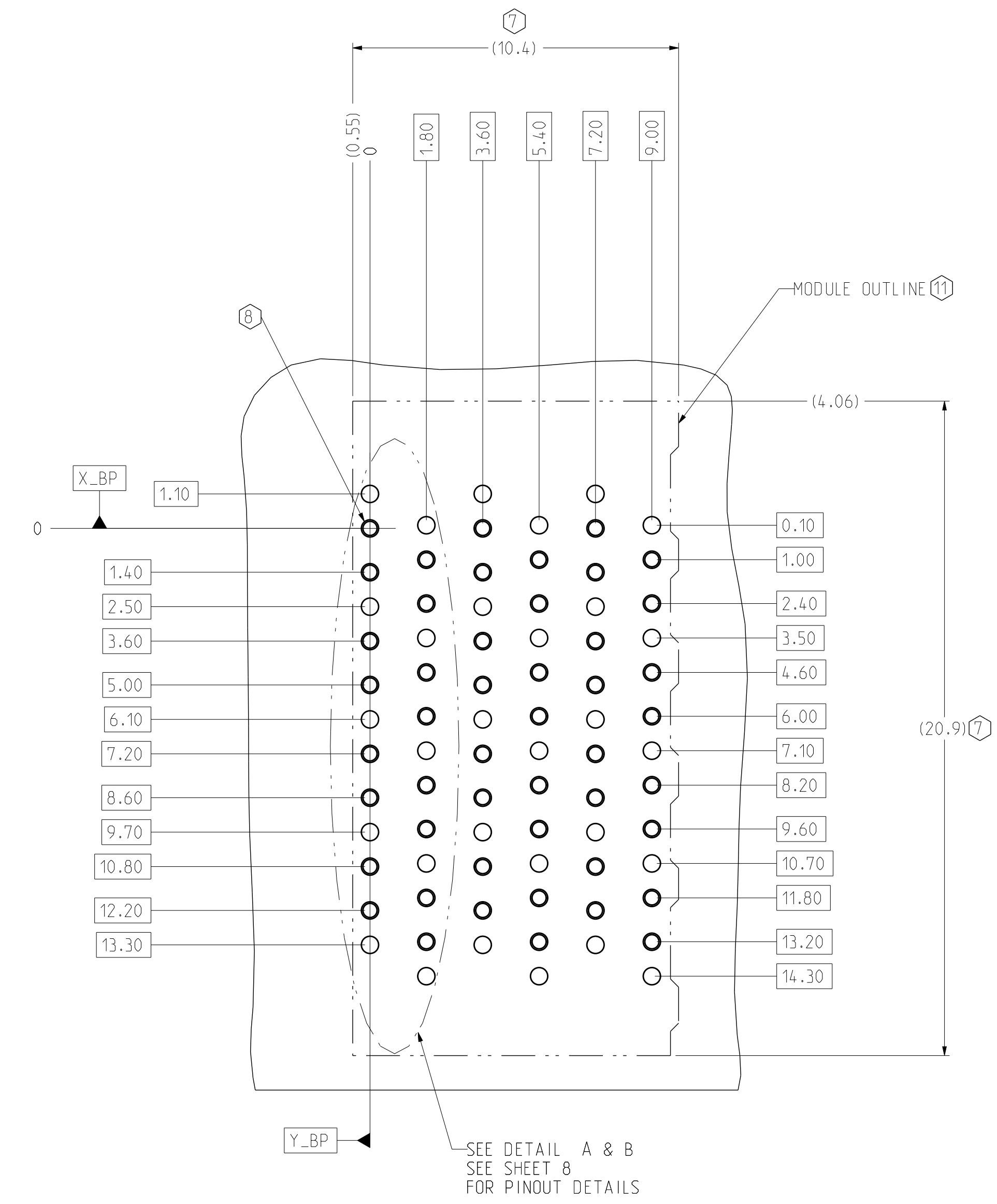
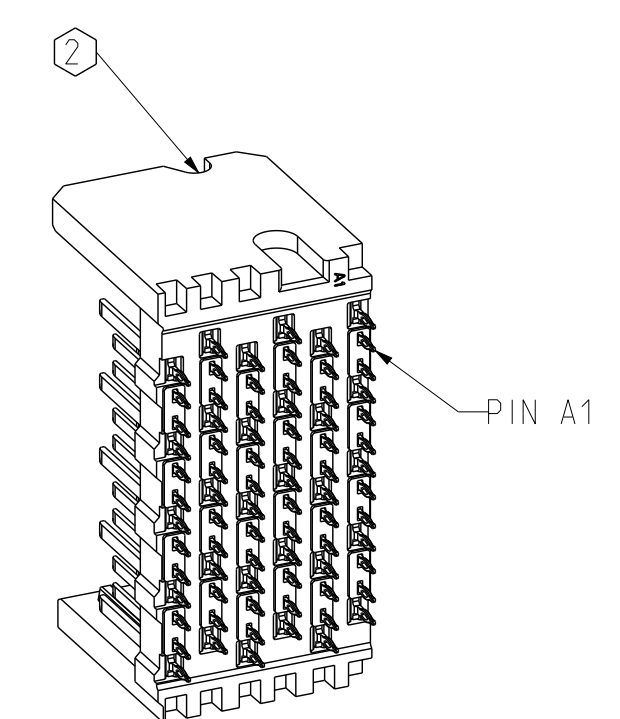
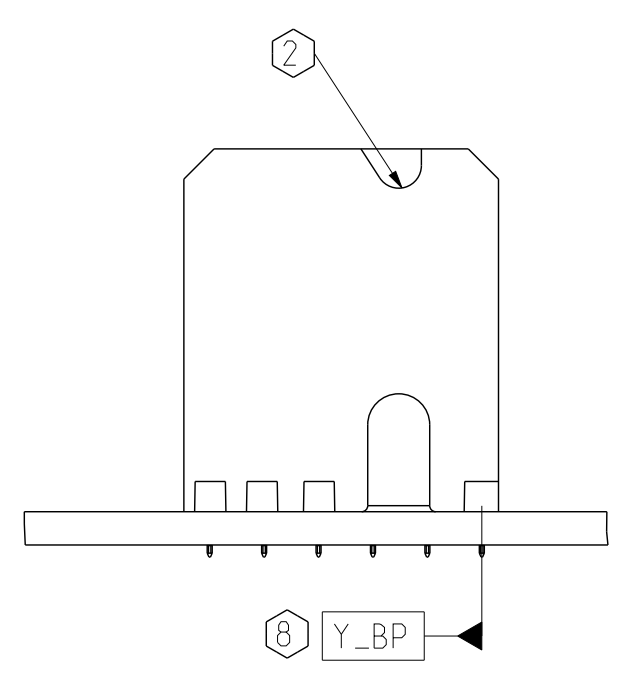
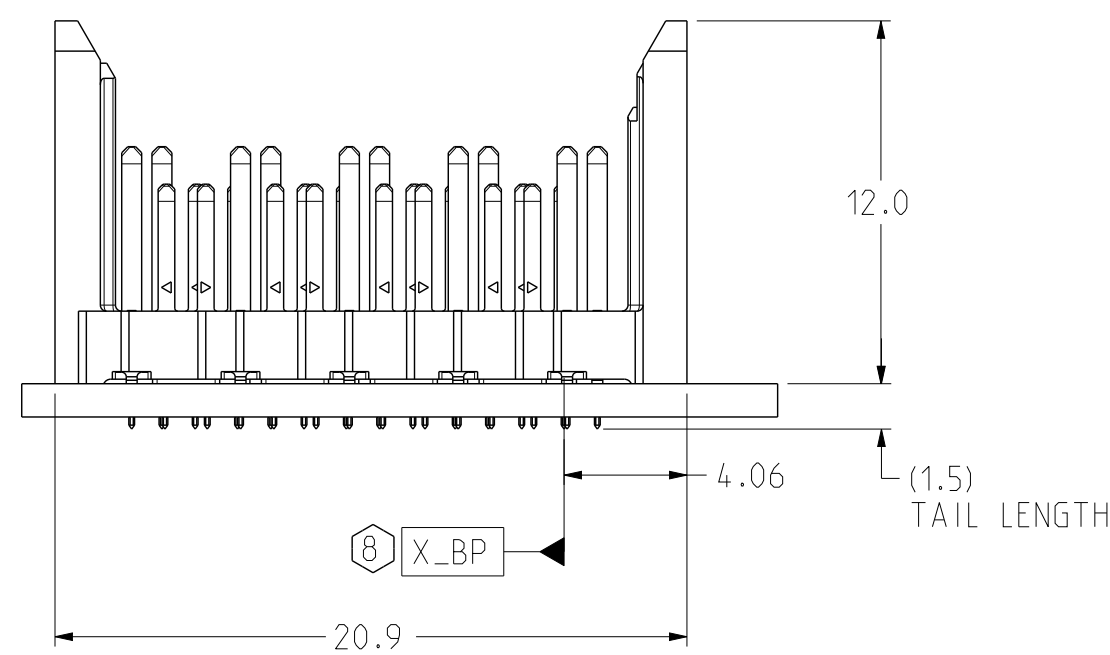
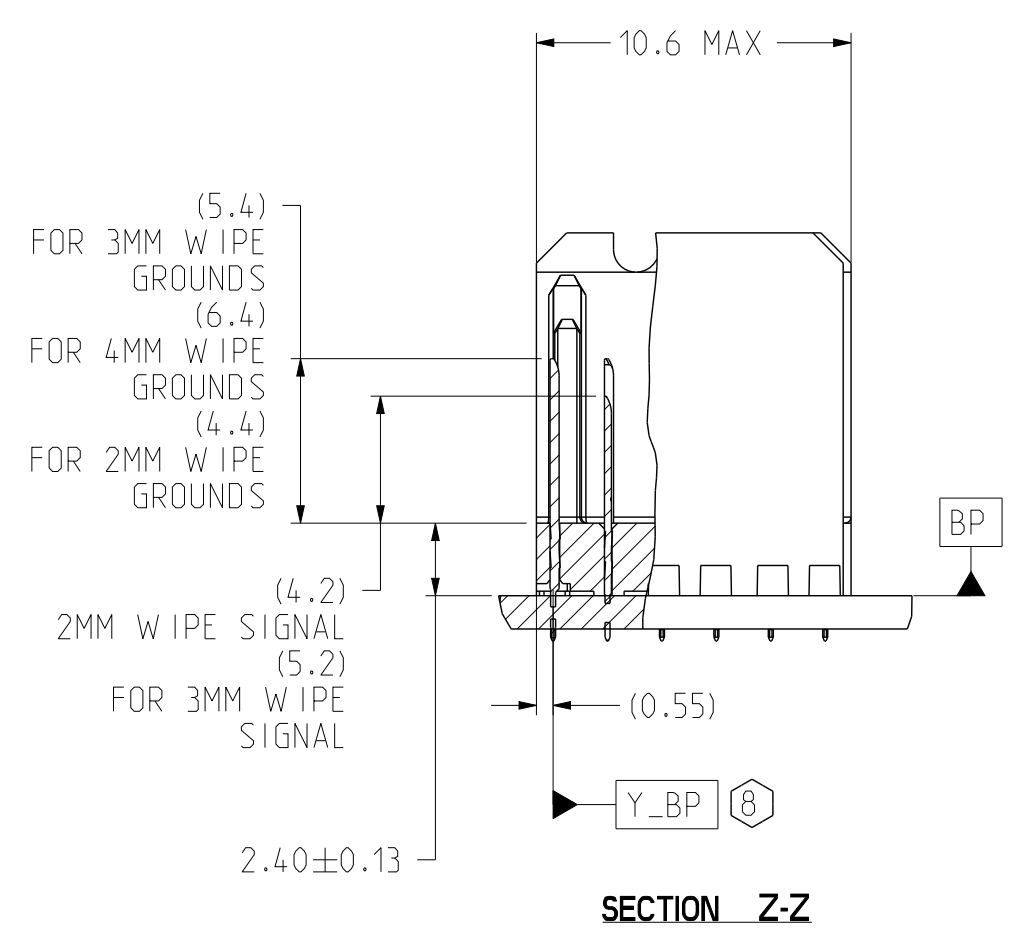


OPEN BACKPLANE MODULE DIMENSION



1.64 FROM TOP OF DC PCB TO CL OF ROW A ON BP

CONNECTOR REFERENCE SCALE 5/1



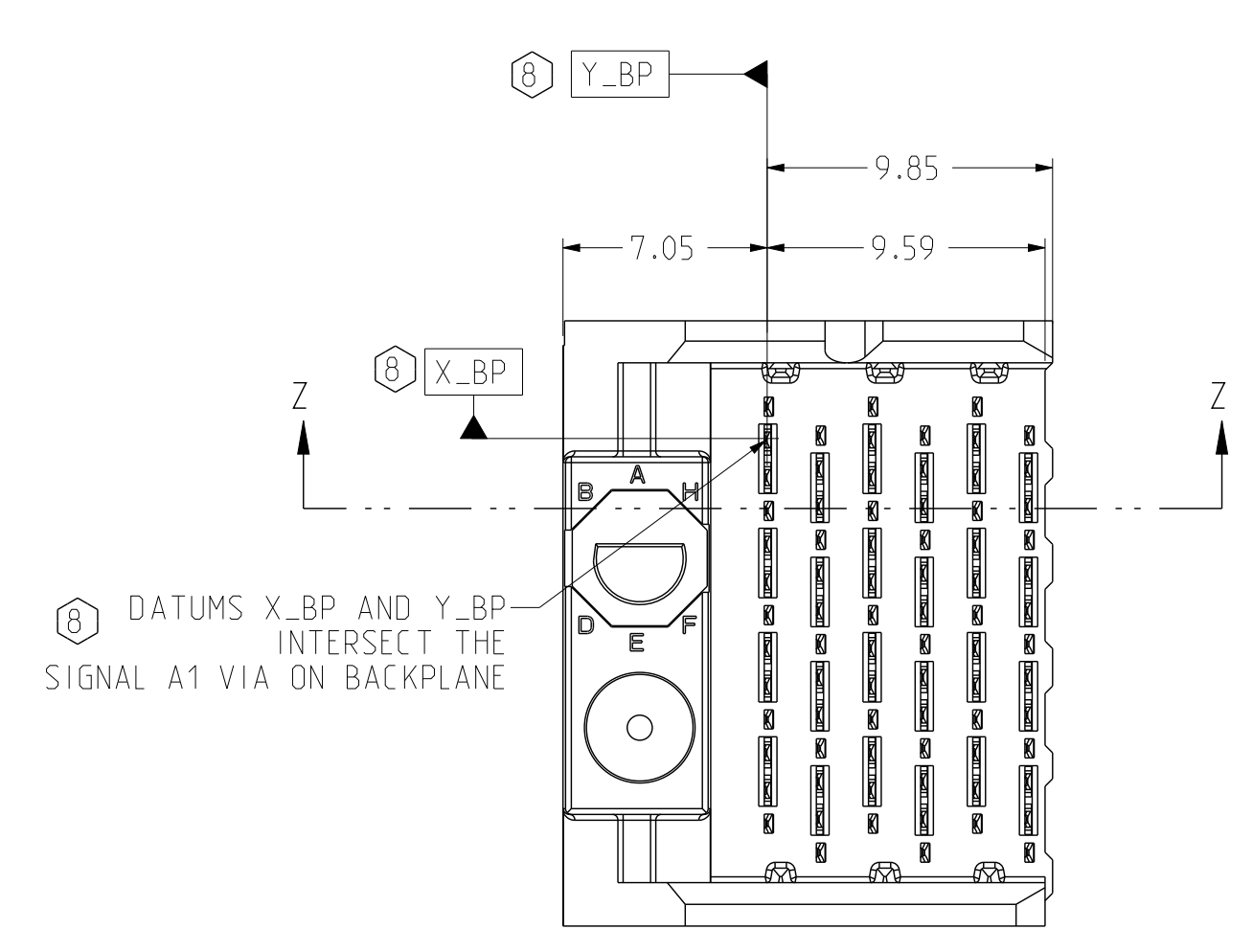
OPEN BACKPLANE FOOTPRINT

TOLERANCES		DESIGN 12/26/2014 M.HANRAHAN	Amphenol TCS A Division of Amphenol Corporation 200 Innovative Way, Nashua, NH 03062 603.879.3000
0.0	±0.25	DRAWN 12/26/2014 HCL-RV	
0.00	±0.13	CHK 12/26/2014 M.HANRAHAN	
0.000	± -	APVD 12/26/2014 M.HANRAHAN	
ANGLES ± 3°		TITLE BACKPLANE MODULES, VERTICAL MALE HEADER XREF: HD PLUS, 4 PAIR @ POS. THICK WALL WITH EXTRA GROUND	
UNLESS OTHERWISE SPECIFIED DIMENSIONS ARE IN MM. DECIMAL MARKER IS A PERIOD.		PART NO. SEE PN TREE SHEET 1	REV N/A
DRAWING NO. C-926-401C-500		REV D	
ASSEM: C926-401C-500_XG 0.0		DRAWING: C926-401C-500 0.6	
SIZE D	SCALE 1/1	SHEET 2 OF 9	

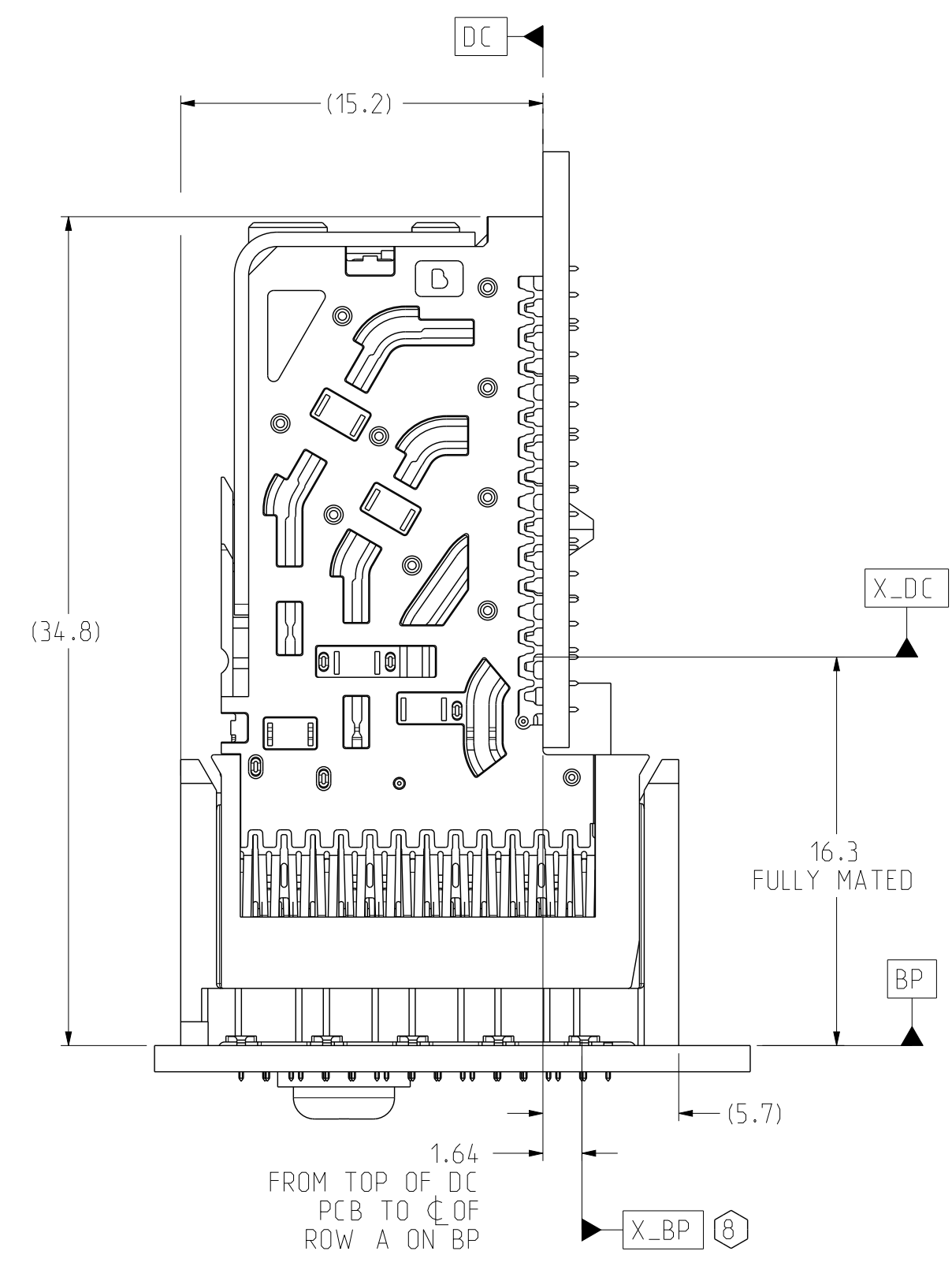
INTERPRET PER ASME Y14.5M
CODE IDENT 31413

CUSTOMER USE
DRAWING

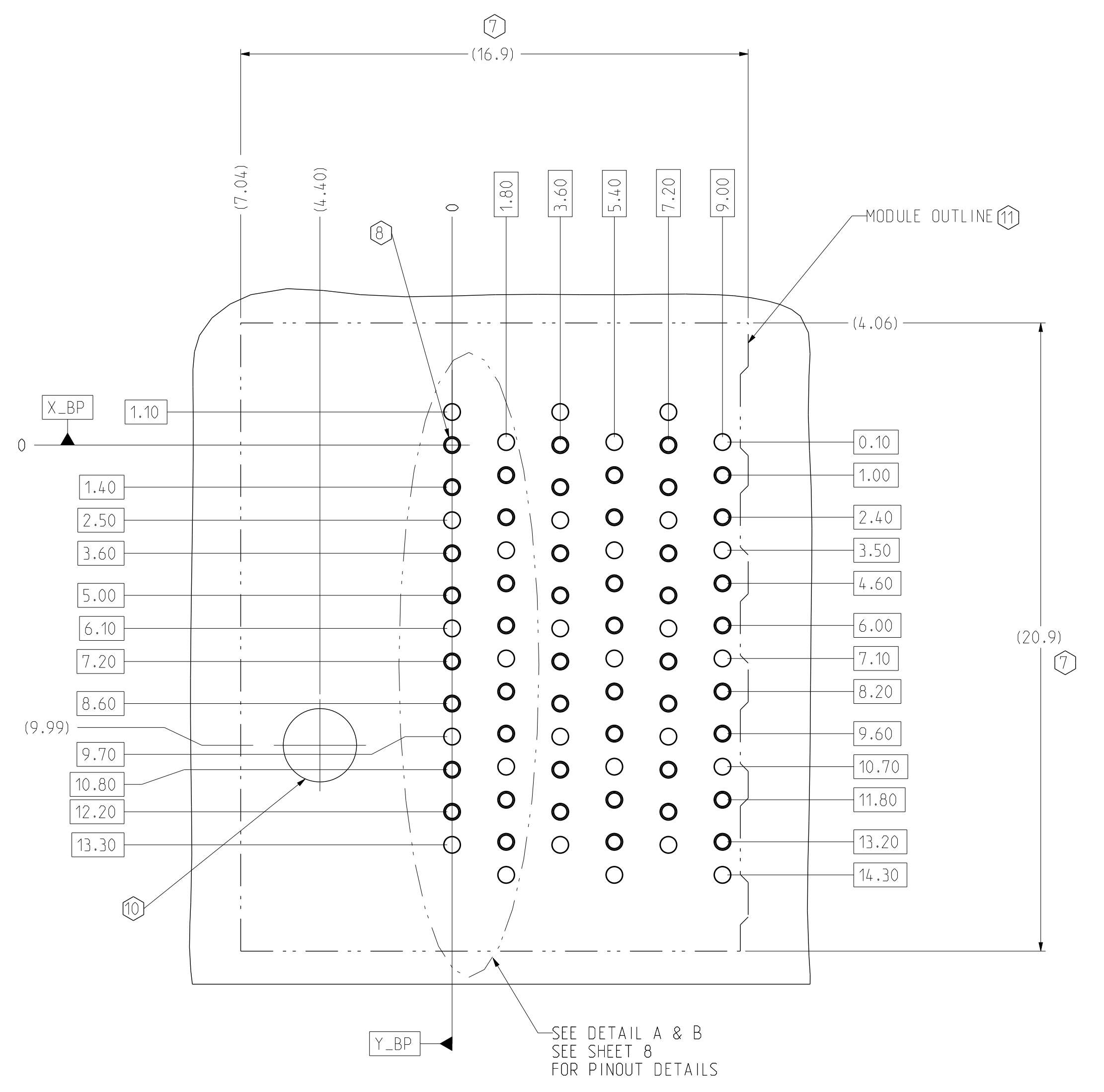
ZONE	REV	ECN	DESCRIPTION	BY	DATE	APPROVED
			SEE SHEET 1			



LEFT POLARIZING/GUIDE BACKPLANE MODULE DIMENSION

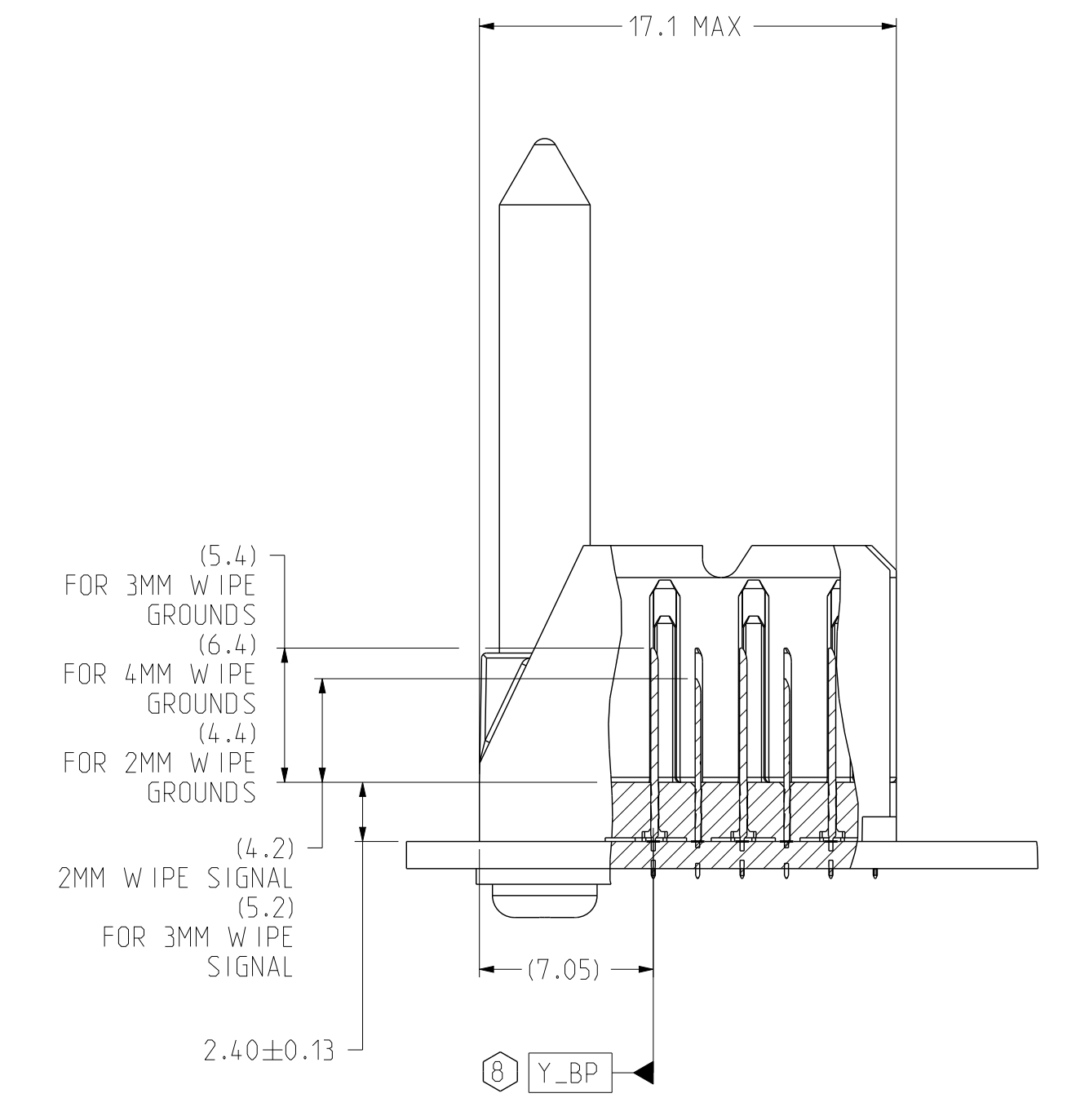


CONNECTOR REFERENCE SCALE 4/1

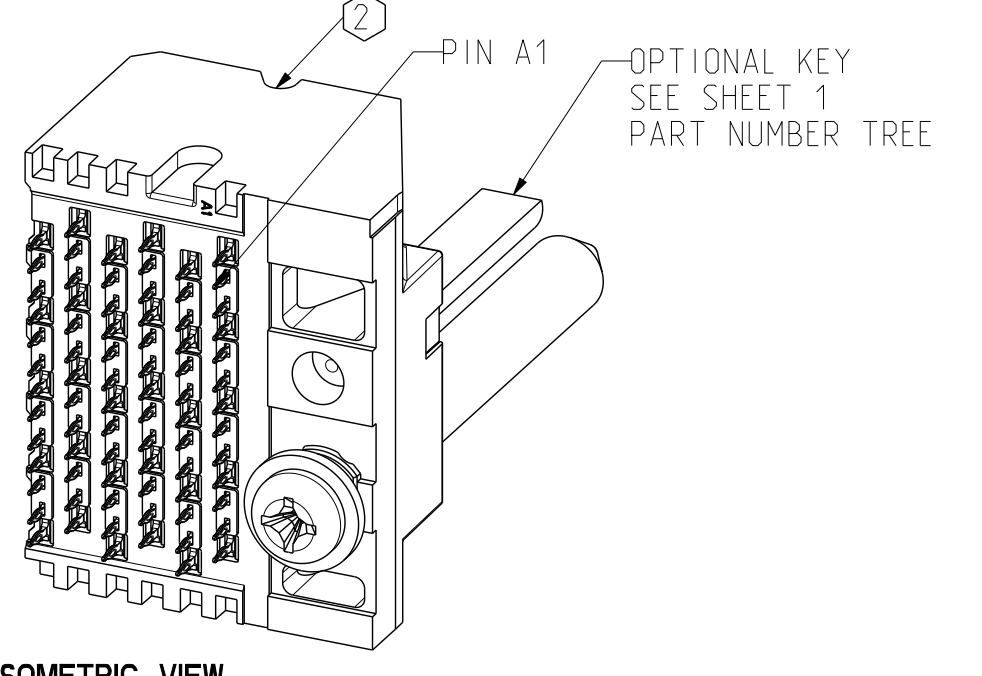
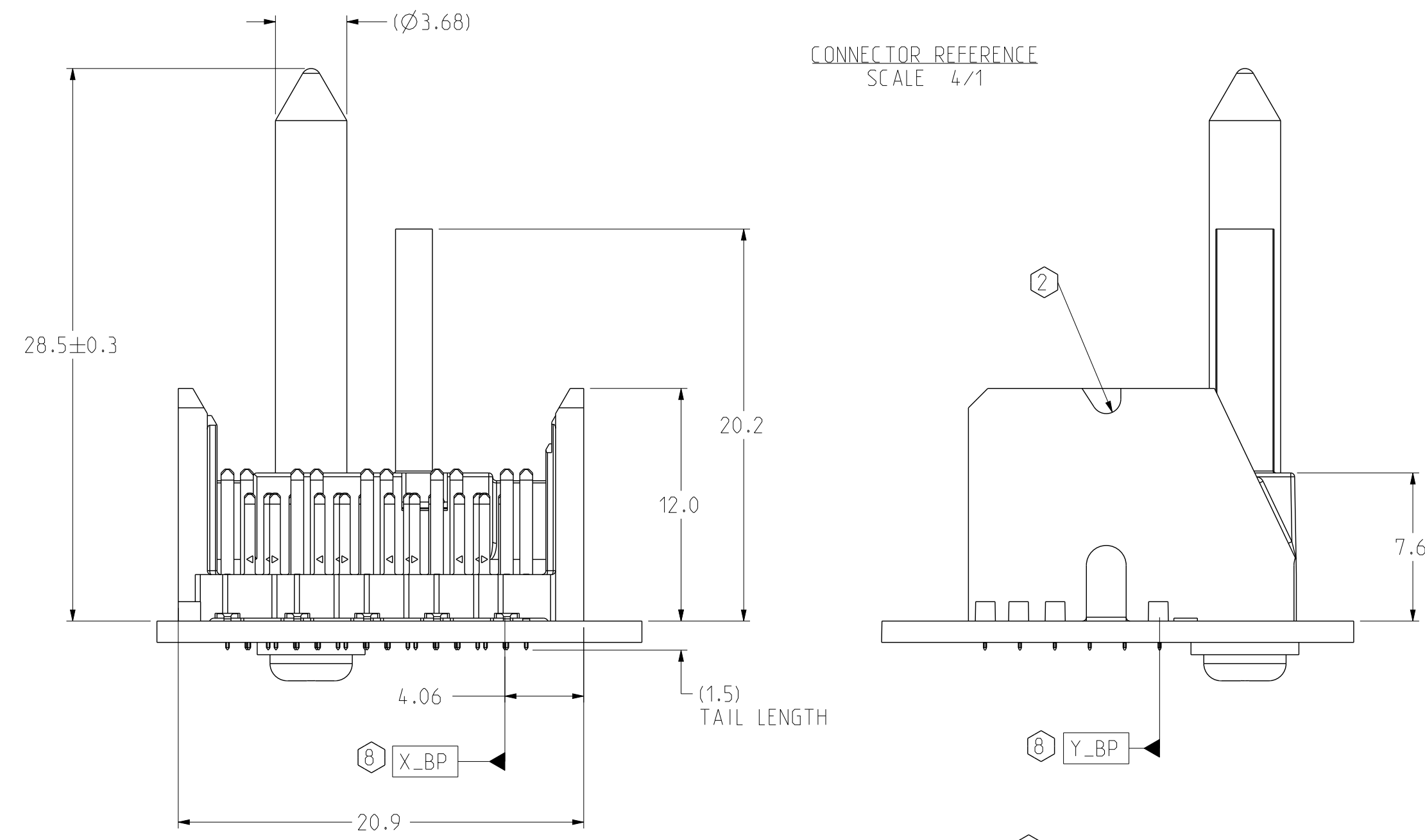


BP HOLE PATTERN COMPONENT SIDE SCALE 8/1

LEFT POLARIZING/GUIDE BACKPLANE FOOTPRINT

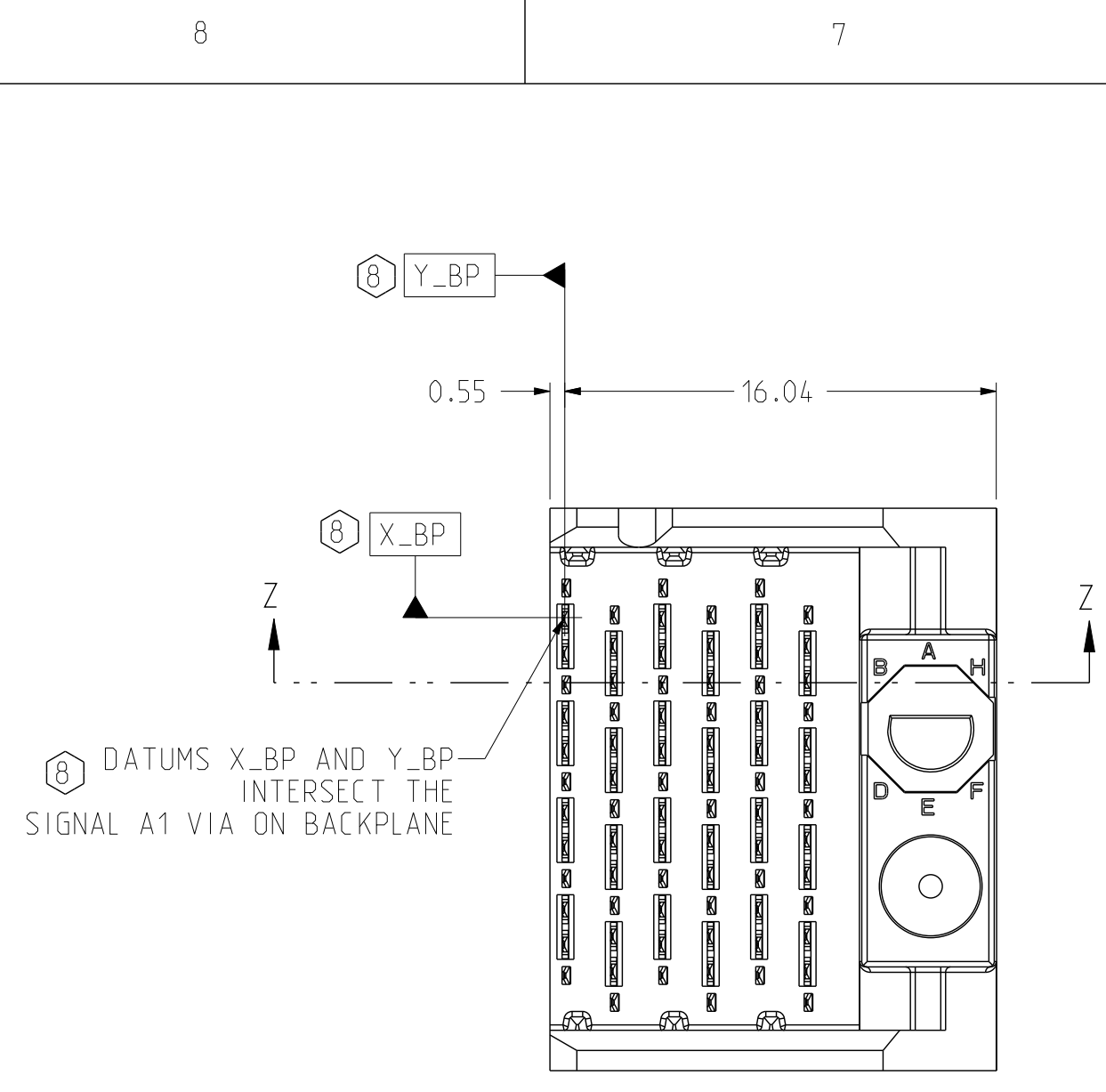


SECTION Z-Z

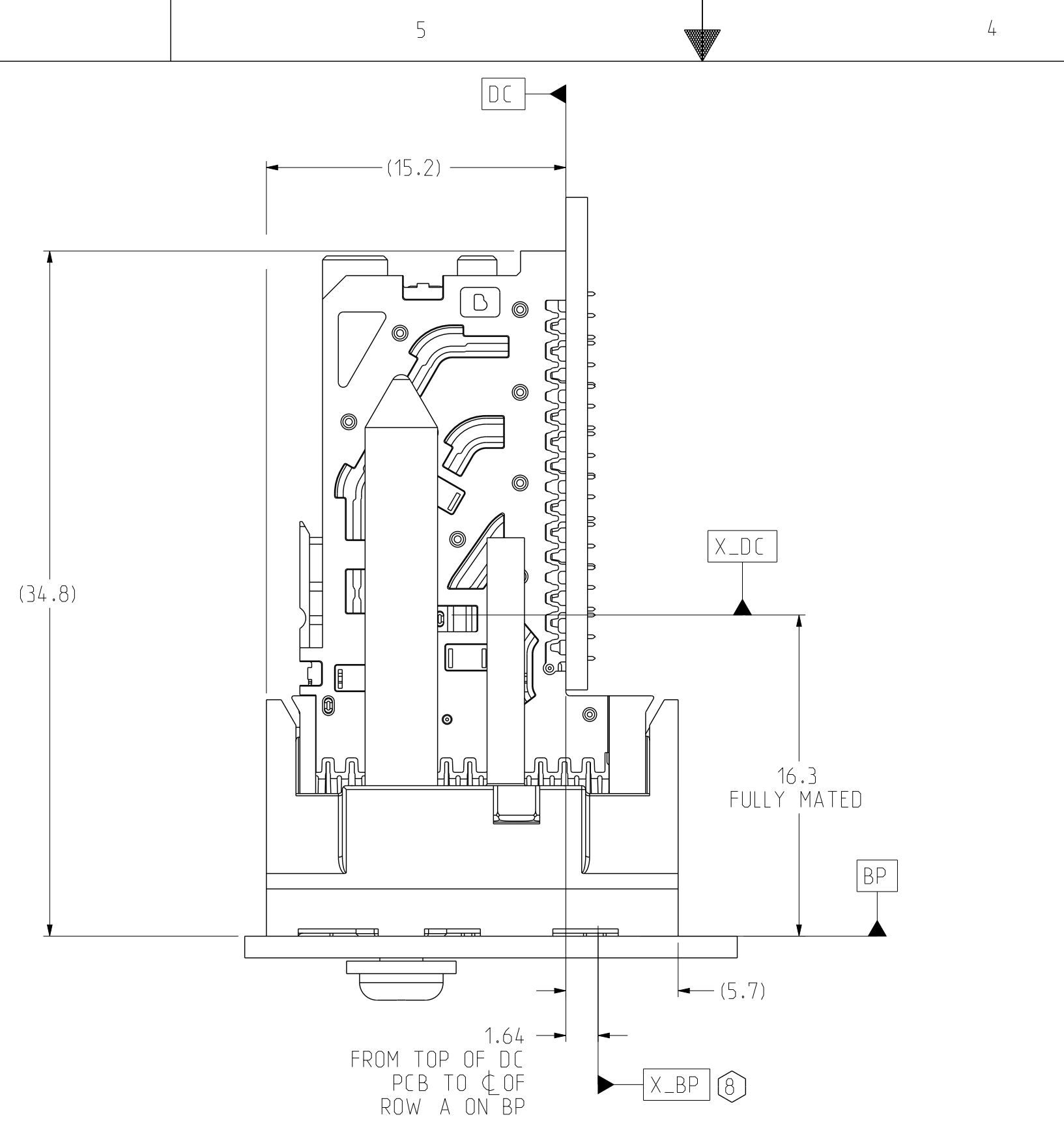


ISOMETRIC VIEW SCALE 3/1

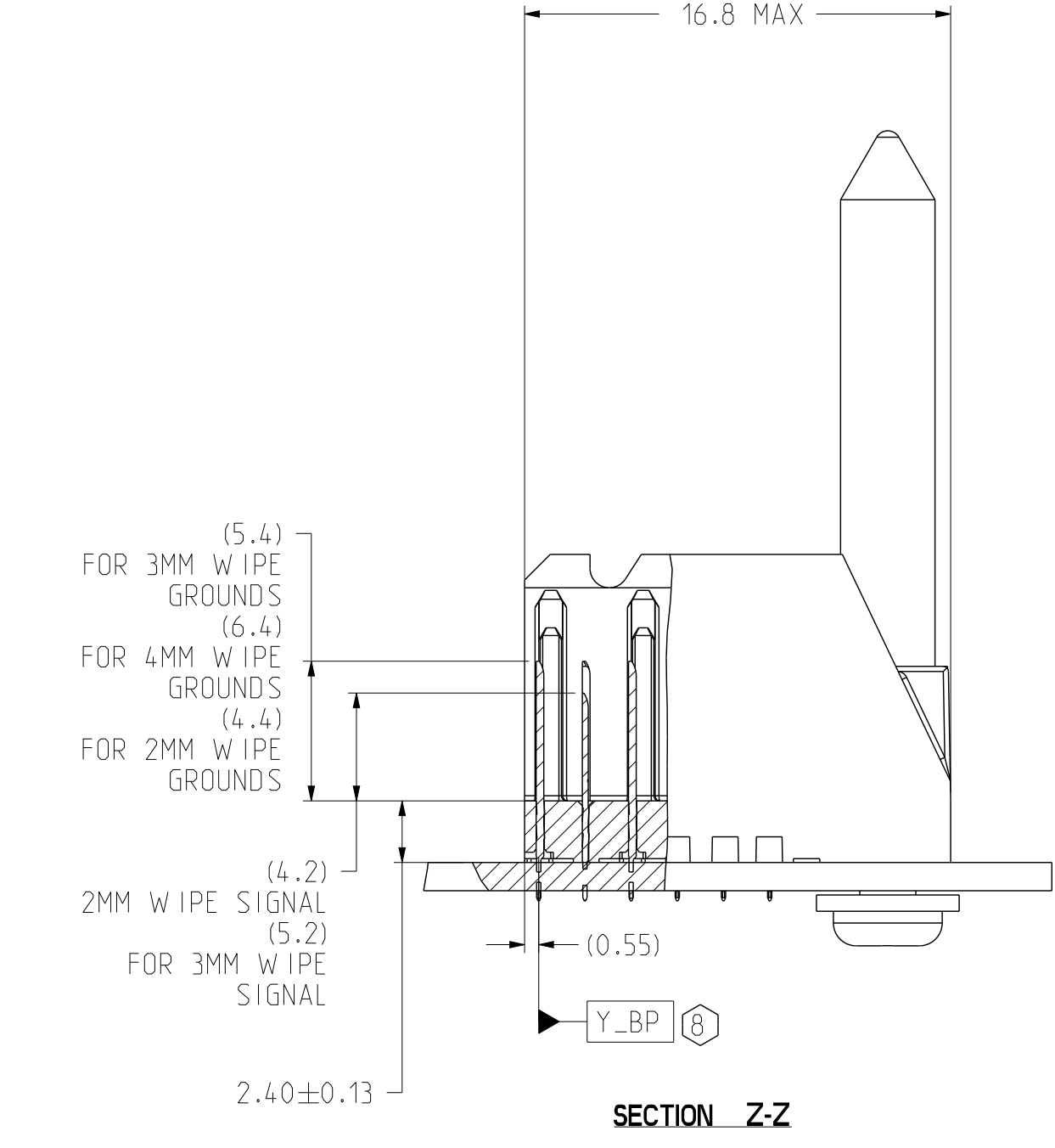
TOLERANCES		DESIGN 12/26/2014 M.HANRAHAN	Amphenol TCS A Division of Amphenol Corporation 200 Innovative Way, Nashua, NH 03082 603.879.3000	
0.0	±0.25	DRAWN 12/26/2014 HCL-RV	TITLE	REV
0.00	±0.13	CHK 12/26/2014 M.HANRAHAN	BACKPLANE MODULES, VERTICAL MALE HEADER	N/A
0.000	± -	APVD 12/26/2014 M.HANRAHAN	SEE PN TREE SHEET 1	
ANGLES ± 3°		PART NO.		REV
UNLESS OTHERWISE SPECIFIED DIMENSIONS ARE IN MM. DECIMAL MARKER IS A PERIOD		C-926-401C-500		D
INTERPRET PER ASME Y14.5M		ASSEM: C926-401C-500_XG 0.1		
CODE IDENT 31413		DRAWING: C926-401C-500 0.6		
CUSTOMER USE DRAWING		SIZE D	SCALE 1/1	SHEET 3 OF 9



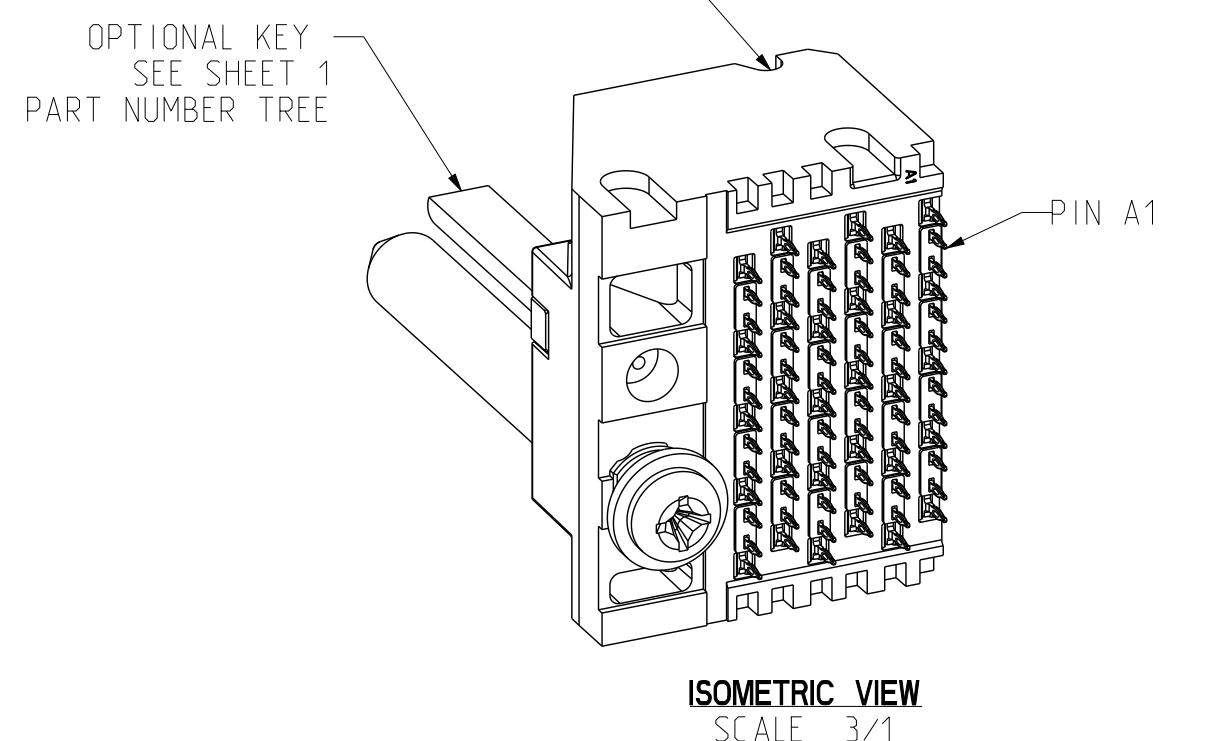
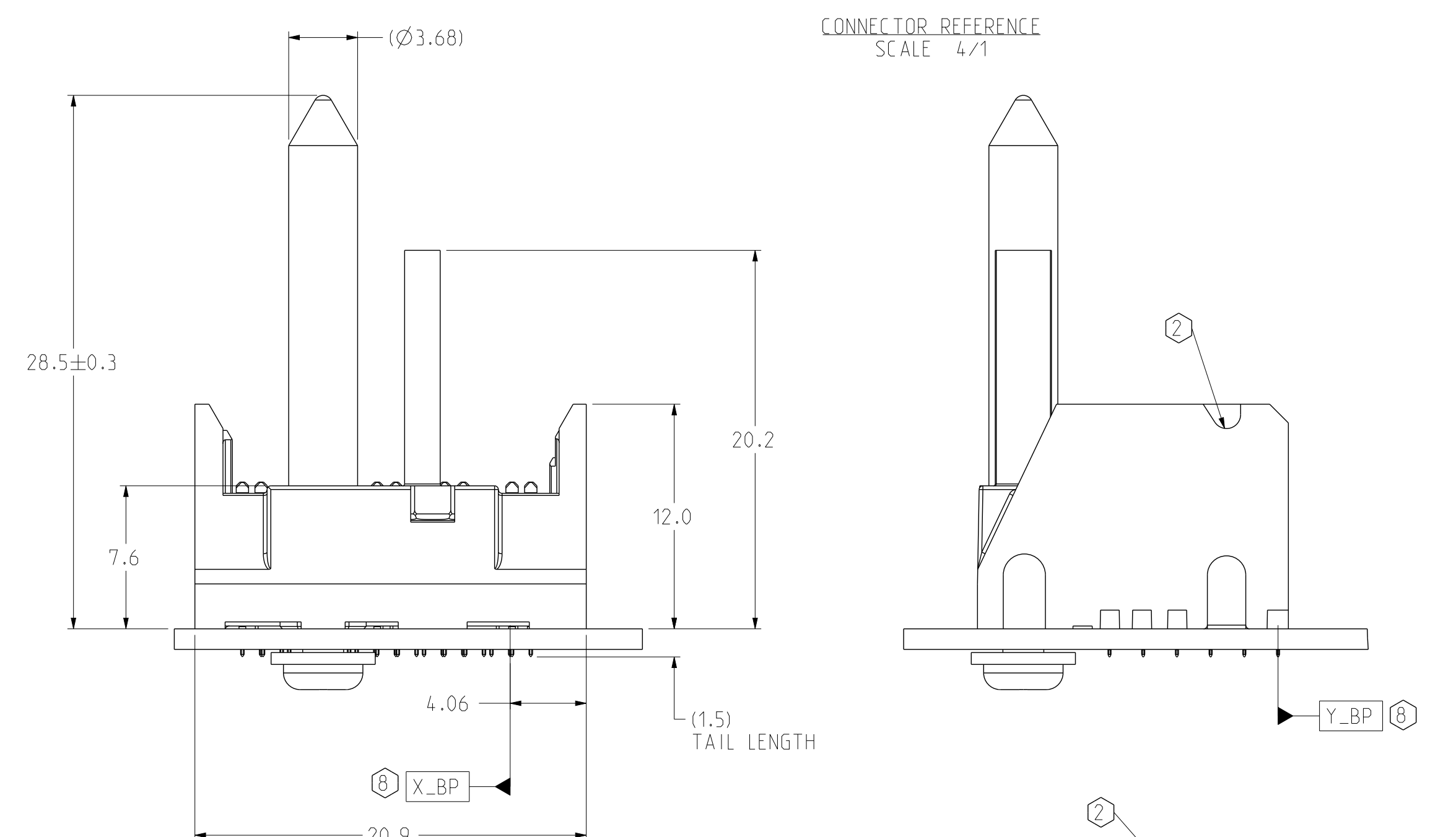
RIGHT POLARIZING/GUIDE
BACKPLANE MODULE DIMENSION



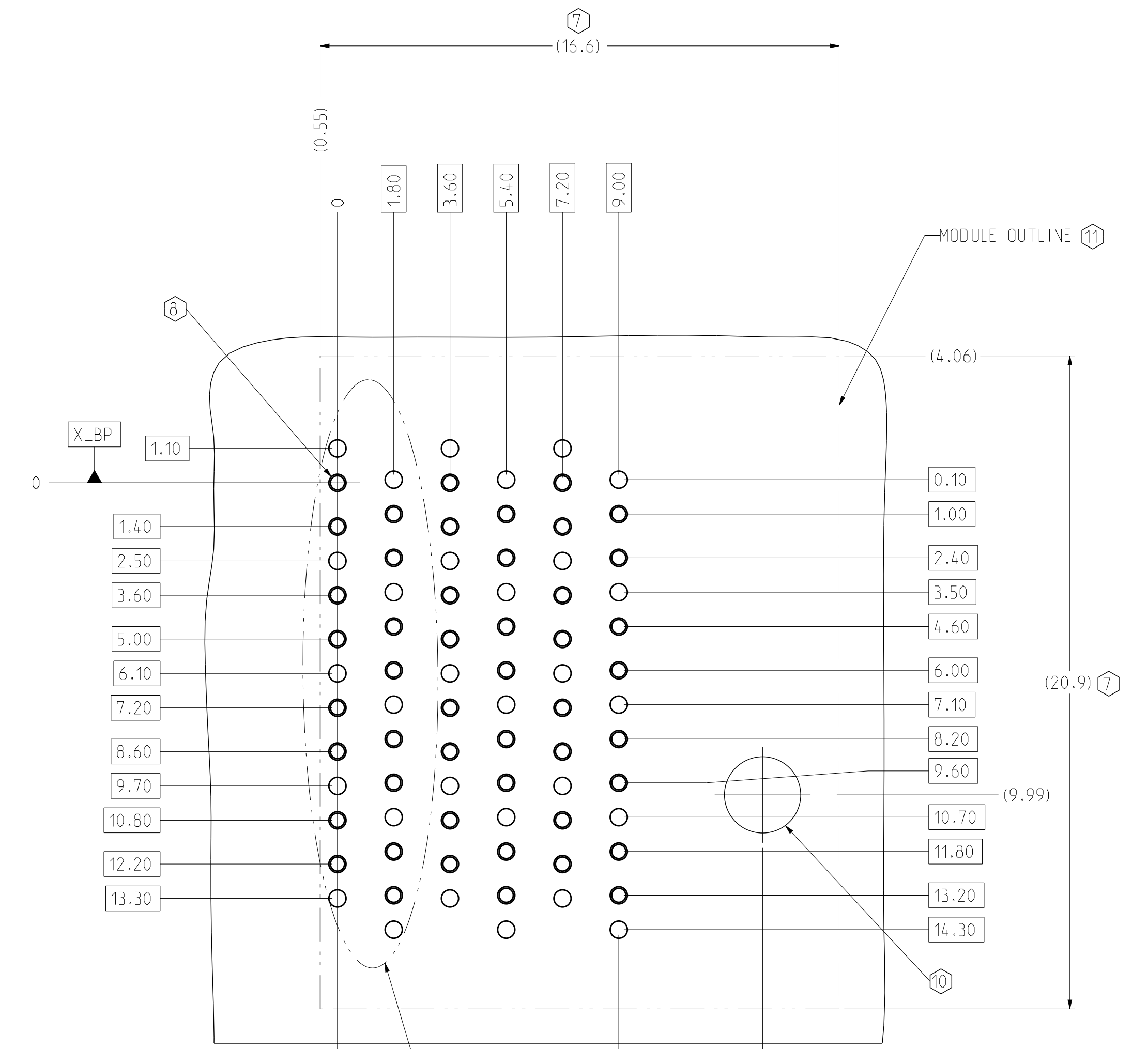
CONNECTOR REFERENCE
SCALE 4/1



SECTION Z-Z



ISOMETRIC VIEW
SCALE 3/1



RIGHT POLARIZING/GUIDE
BACKPLANE FOOTPRINT

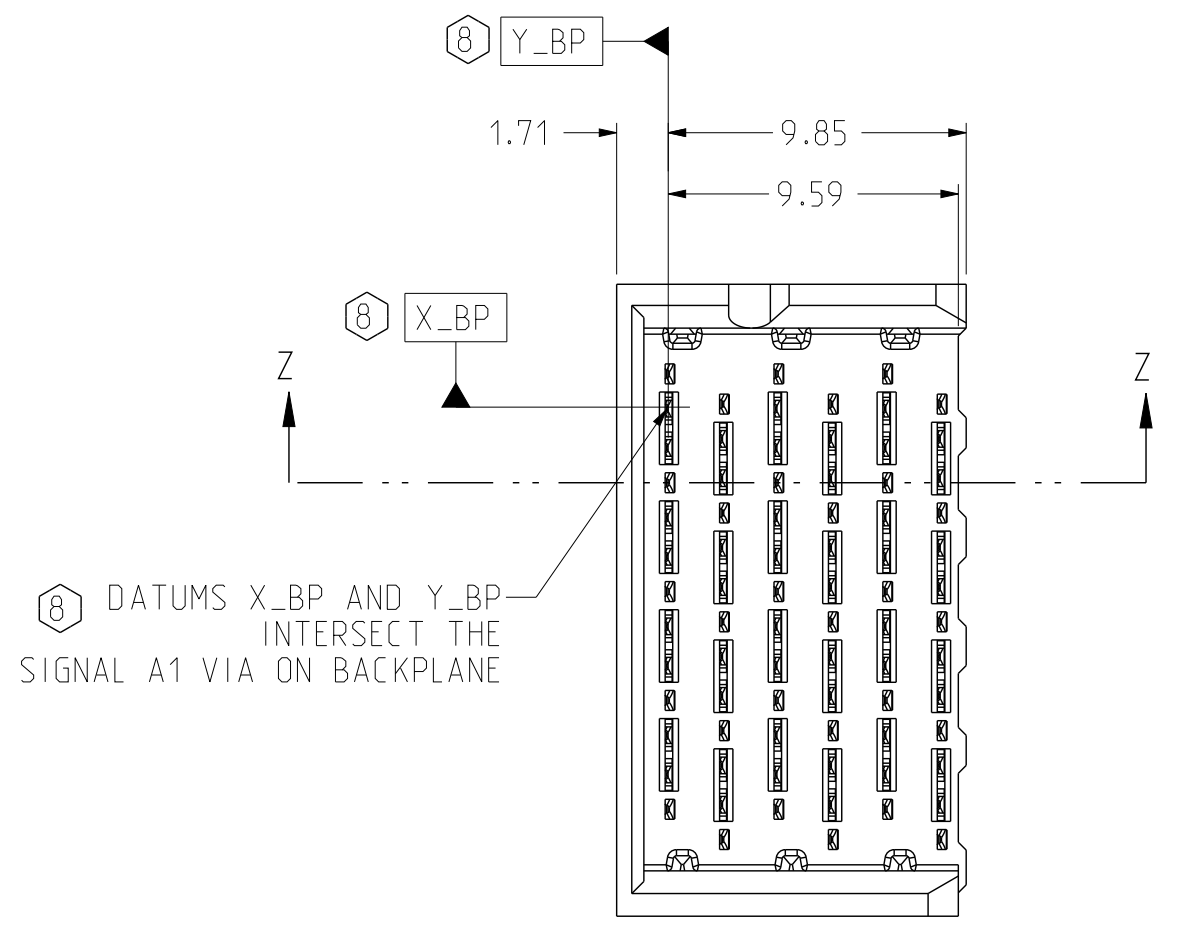
BP HOLE PATTERN
COMPONENT SIDE
SCALE 8/1

TOLERANCES	DESIGN 12/26/2014 M.HANRAHAN	Amphenol TCS A Division of Amphenol Corporation 200 Innovative Way, Nashua, NH 03062 603.879.3000
0.0 ±0.25	DRAWN 12/26/2014 HCL-RV	
0.00 ±0.13	CHK 12/26/2014 M.HANRAHAN	
0.000 ± -	APVD 12/26/2014 M.HANRAHAN	
ANGLES ± 3°	TITLE BACKPLANE MODULES, VERTICAL MALE HEADER XLEAD HD PLUS, 4 PAIR @ POS. THICK WALL WITH EXTRA GROUND	
UNLESS OTHERWISE SPECIFIED DIMENSIONS ARE IN MM. DECIMAL MARKER IS A PERIOD		PART NO. SEE PN TREE SHEET 1
DRAWING NO. C-926-401C-500		REV D
ASSEM: C926-401C-500_XG 0.1 DRAWING: C926-401C-500 0.6		SCALE 1/1
SIZE D		SHEET 4 OF 9

INTERPRET PER ASME Y14.5M
CODE IDENT 31413

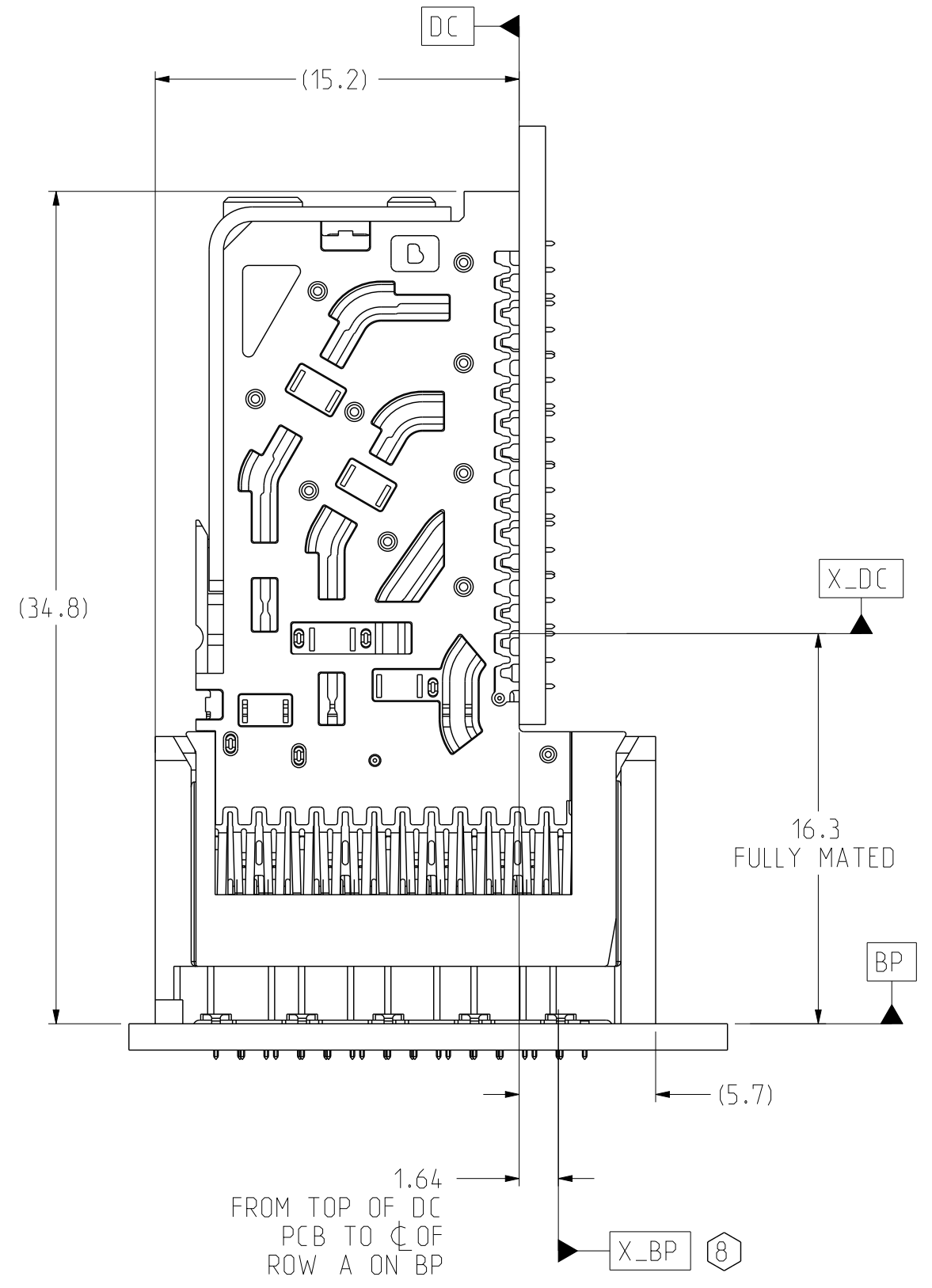
CUSTOMER USE
DRAWING

ZONE	REV	ECN	DESCRIPTION	BY	DATE	APPROVED
			SEE SHEET 1			



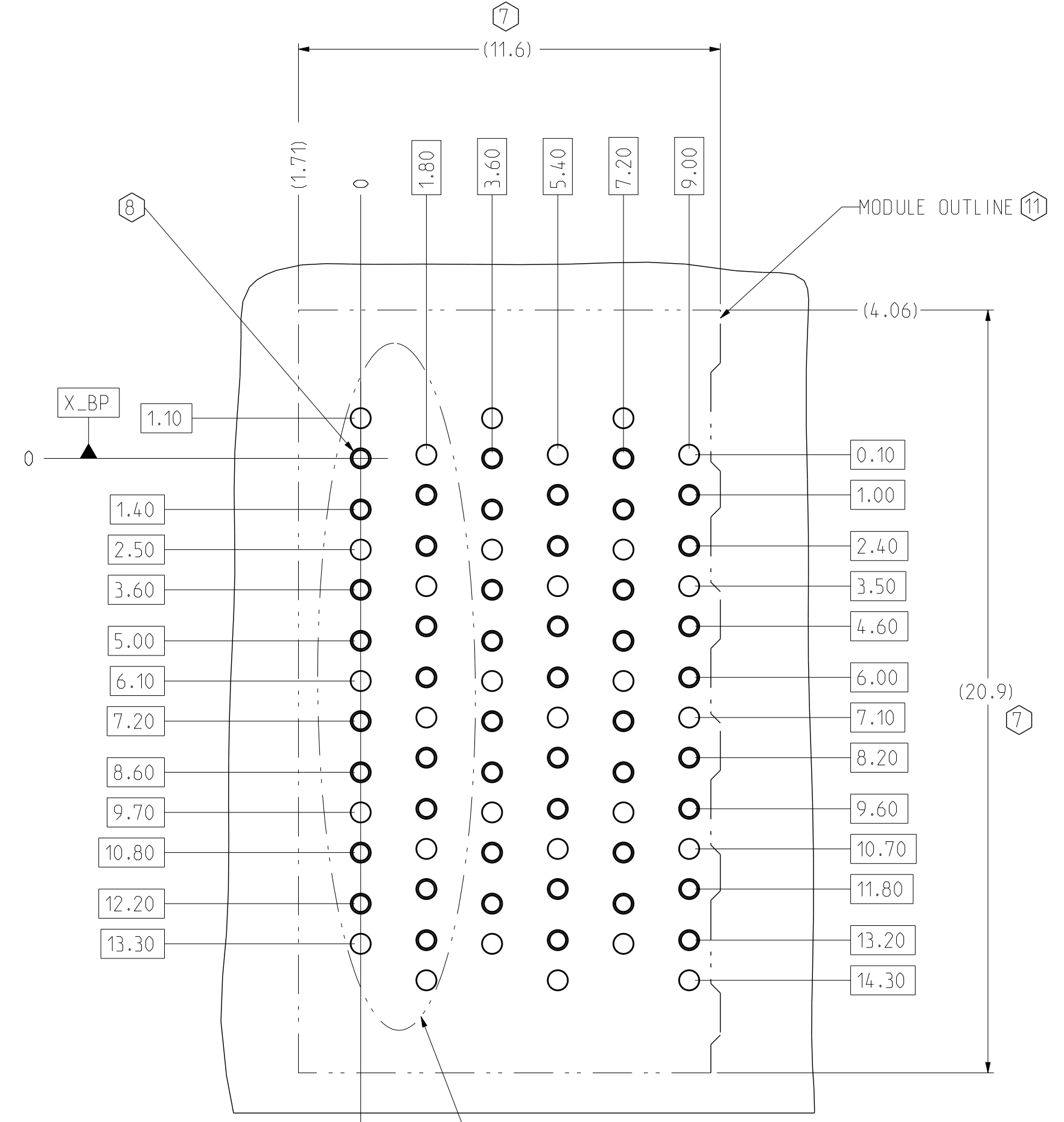
DATUMS X_BP AND Y_BP INTERSECT THE SIGNAL A1 VIA ON BACKPLANE

LEFT WALL BACKPLANE MODULE DIMENSION



1.64 FROM TOP OF DC PCB TO ϕ OF ROW A ON BP

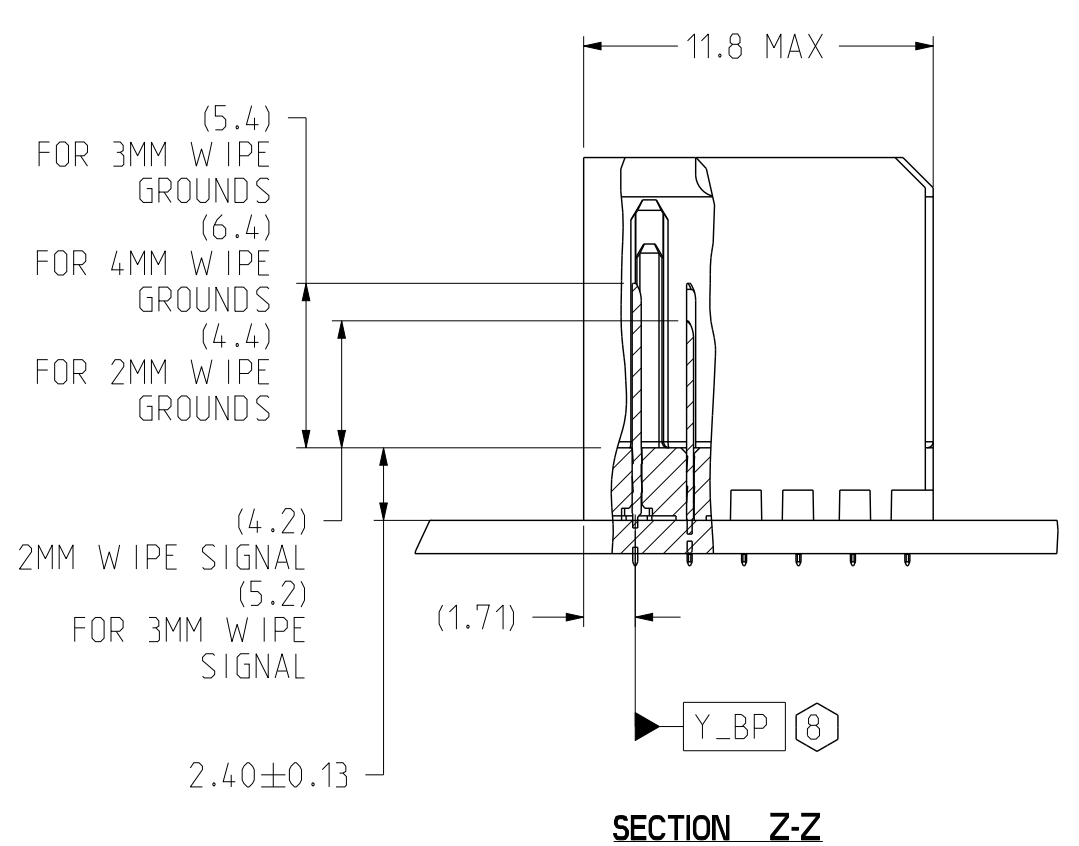
CONNECTOR REFERENCE SCALE 4/1



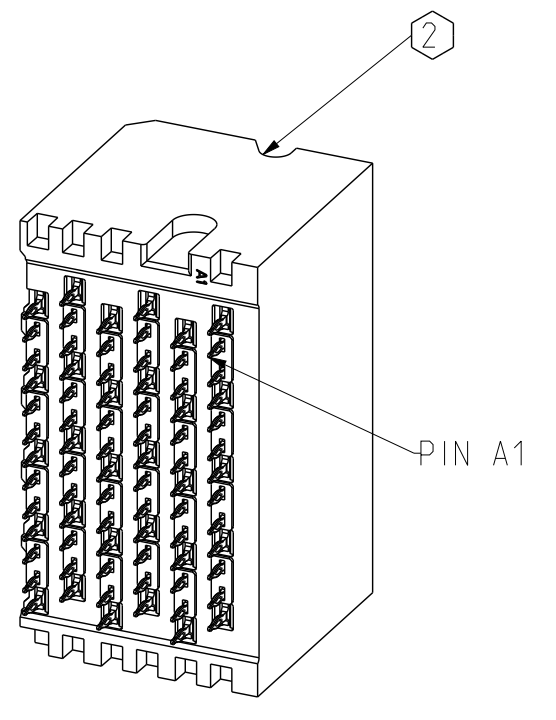
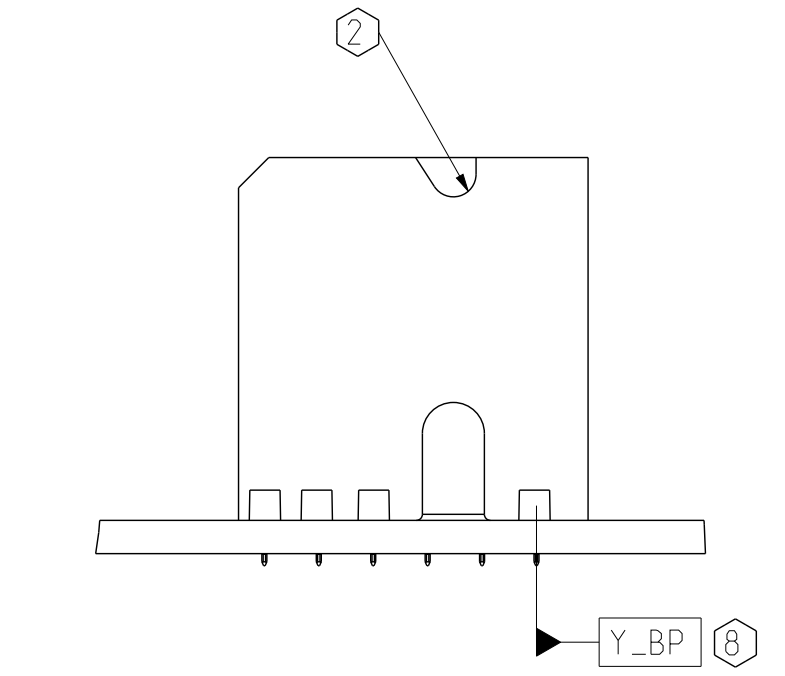
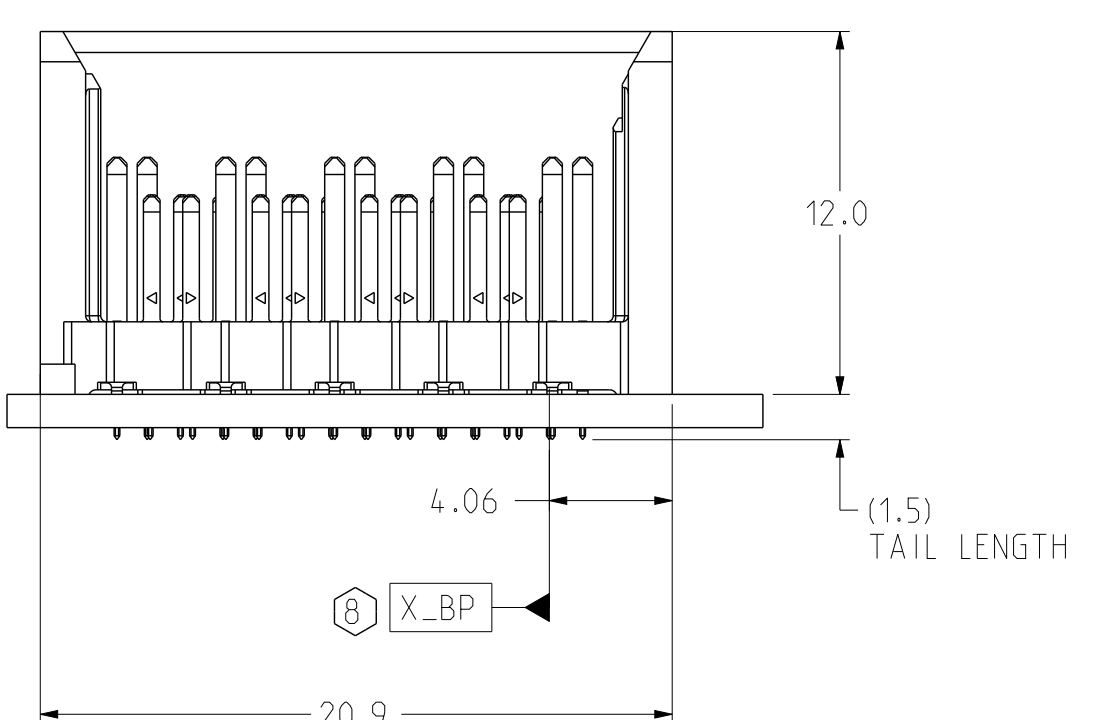
SEE DETAIL A & B SEE SHEET 8 FOR PINOUT DETAILS

BP HOLE PATTERN COMPONENT SIDE SCALE 8/1

LEFT WALL BACKPLANE FOOTPRINT



SECTION Z-Z



ISOMETRIC VIEW SCALE 3/1

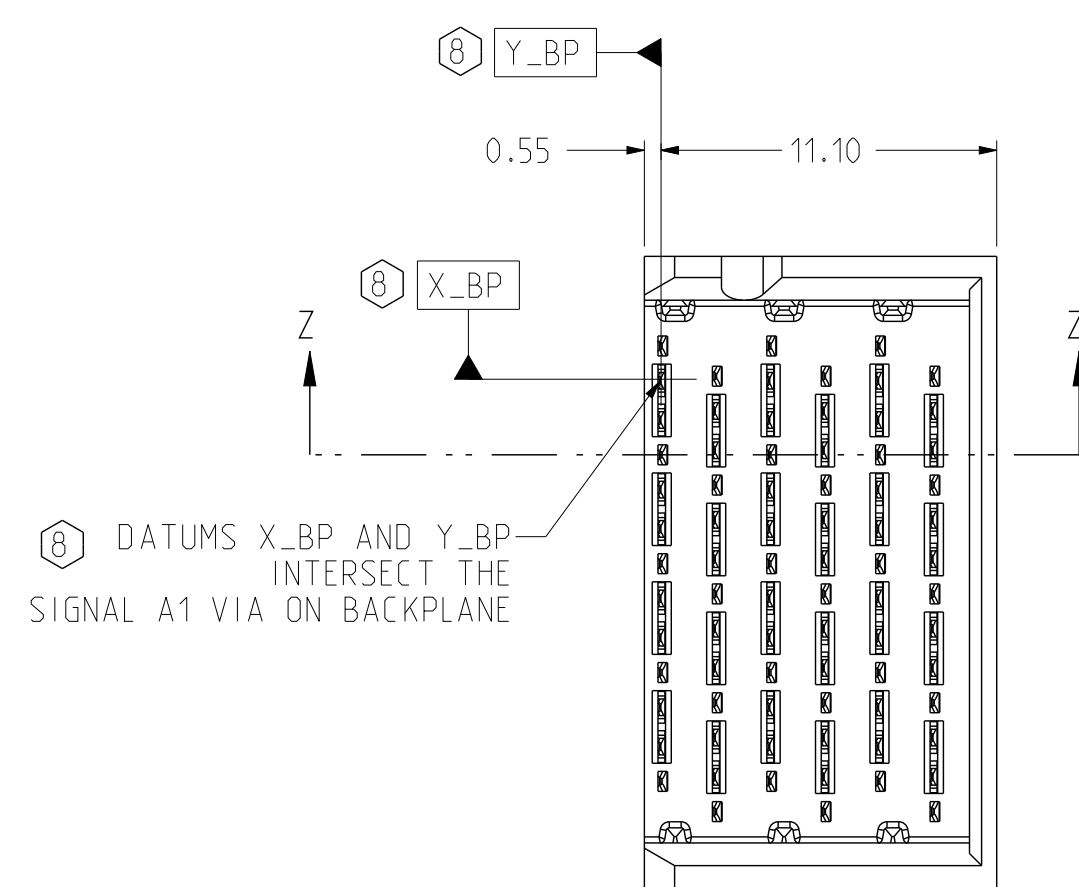
TOLERANCES		DESIGN 12/26/2014 M.HANRAHAN	Amphenol TCS A Division of Amphenol Corporation 200 Innovative Way, Nashua, NH 03062 603.879.3000
0.0	±0.25	DRAWN 12/26/2014 HCL-RV	
0.00	±0.13	CHK 12/26/2014 M.HANRAHAN	
0.000	± -	APVD 12/26/2014 M.HANRAHAN	
ANGLES	± 3°		

UNLESS OTHERWISE SPECIFIED DIMENSIONS ARE IN MM. DECIMAL MARKER IS A PERIOD.		PART NO. SEE PN TREE SHEET 1	REV N/A
DRAWING NO. C-926-401C-500		ASSEM: C926-401C-500_XG 0.0	REV D
DRAWING: C926-401C-500 0.6		SIZE D	SCALE 1/1
		SHEET 5 OF 9	

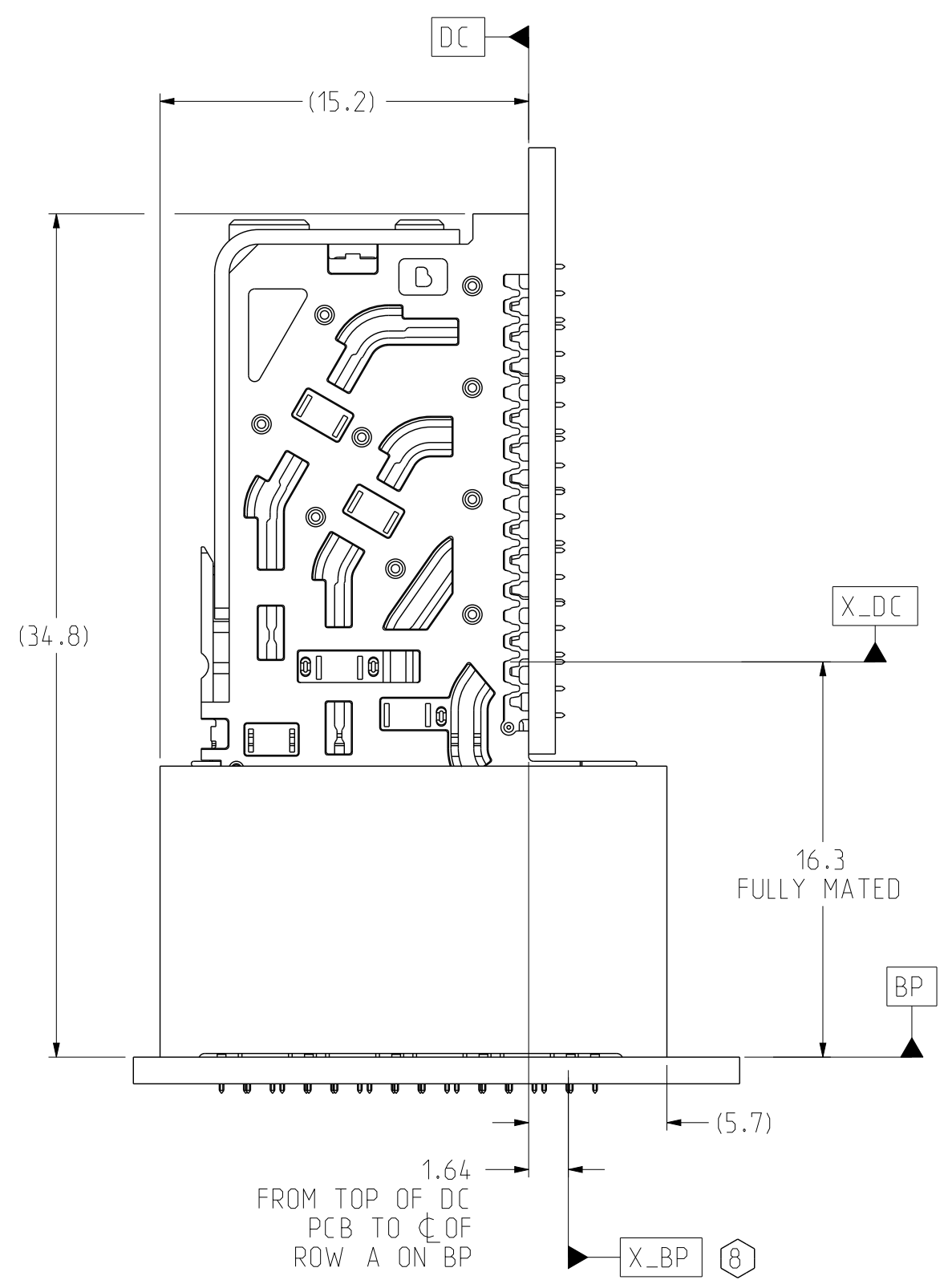
INTERPRET PER ASME Y14.5M
CODE IDENT 31413

CUSTOMER USE DRAWING

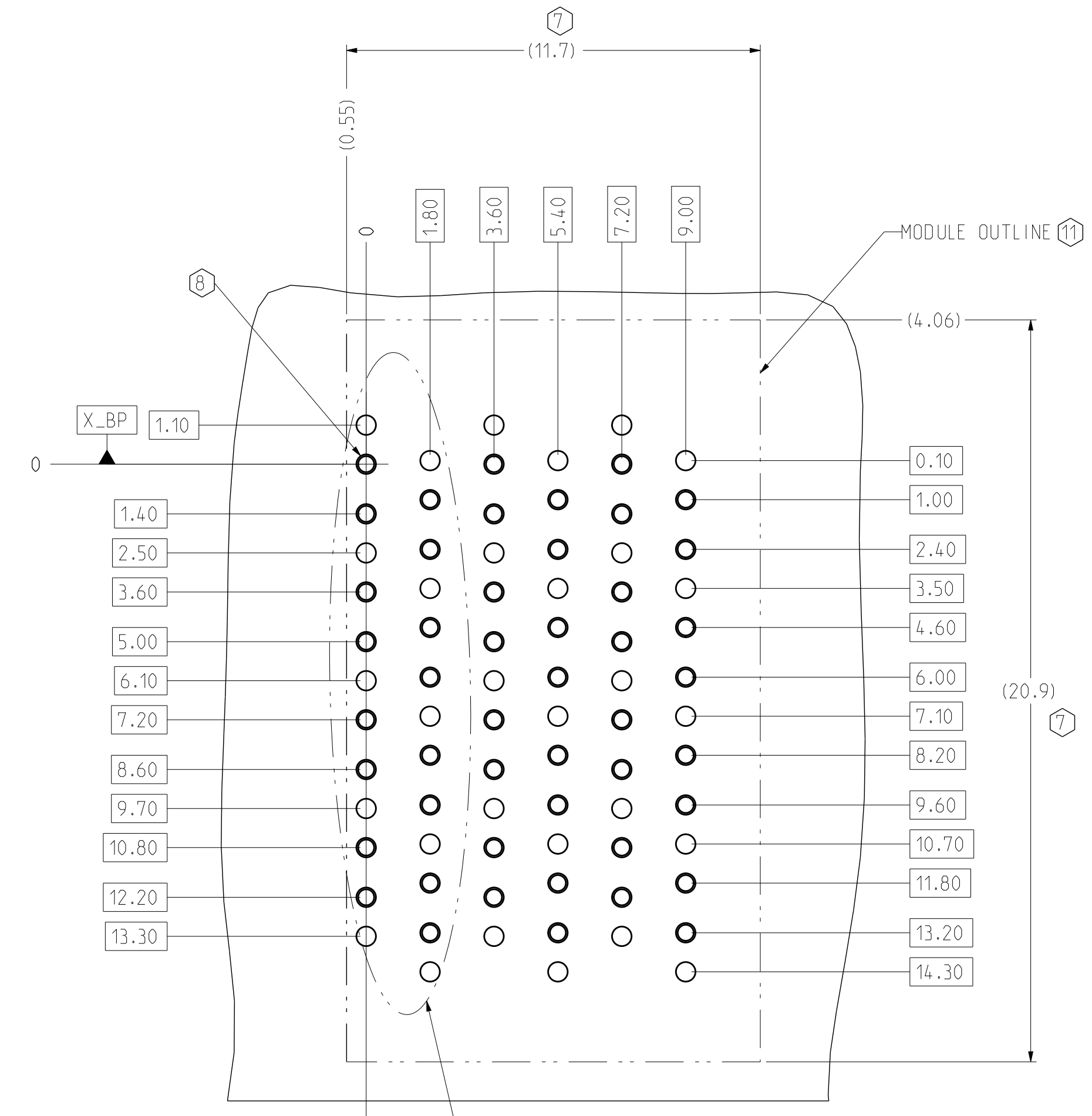
DRW NO.	C-926-401C-500	SH	6	REV	D	
ZONE	REV	ECN	DESCRIPTION	BY	DATE	APPROVED
			SEE SHEET 1			



RIGHT WALL BACKPLANE MODULE DIMENSION

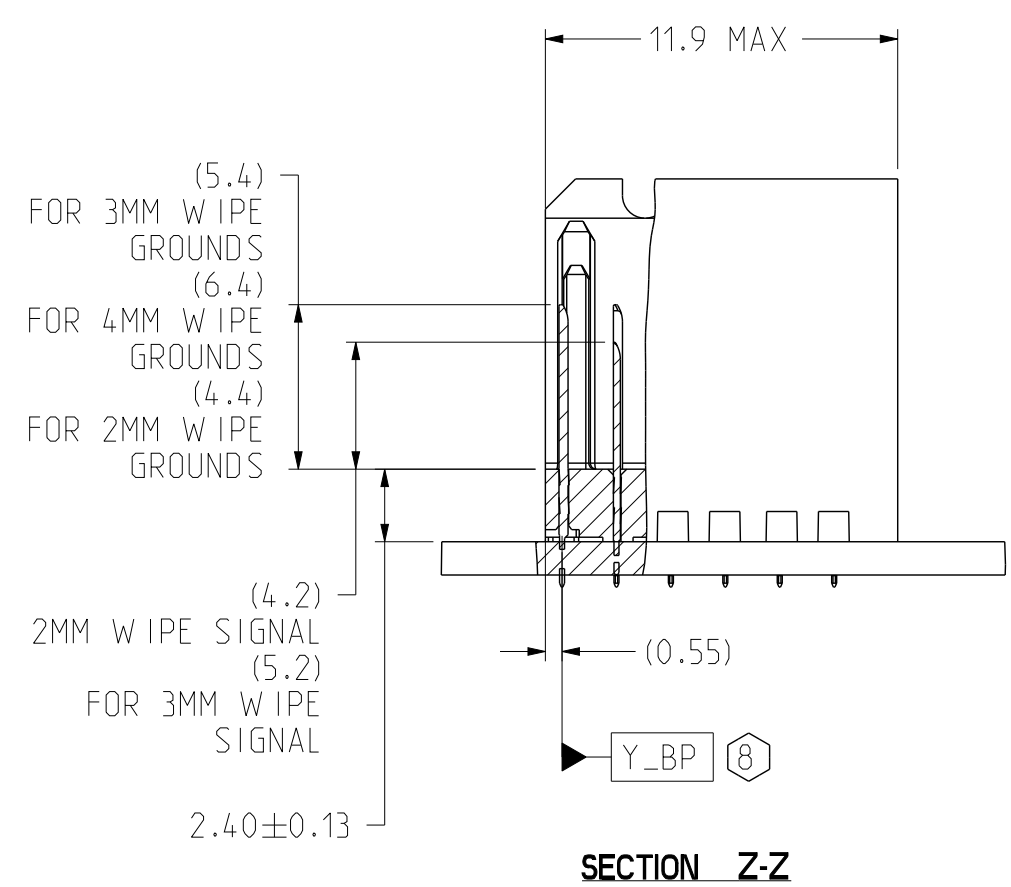


CONNECTOR REFERENCE SCALE 4/1

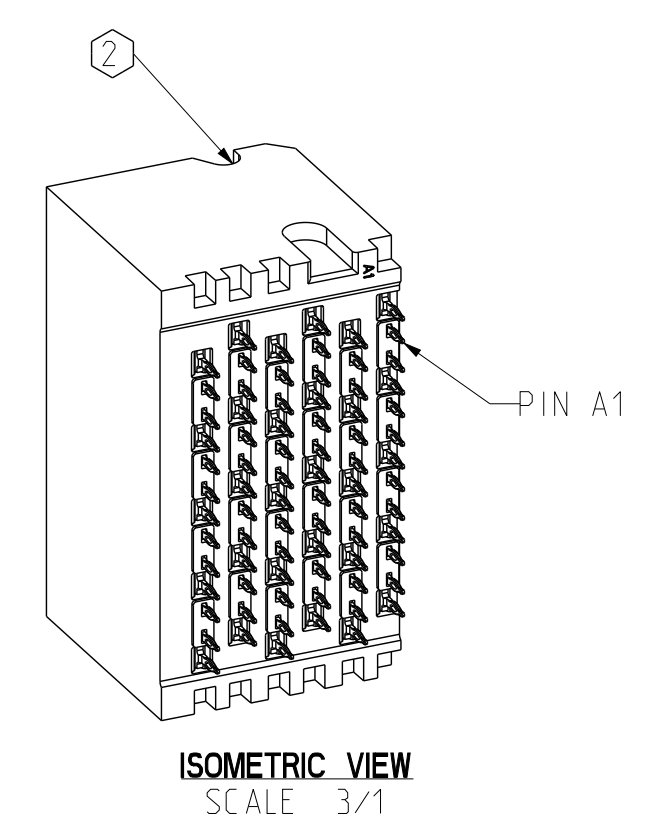
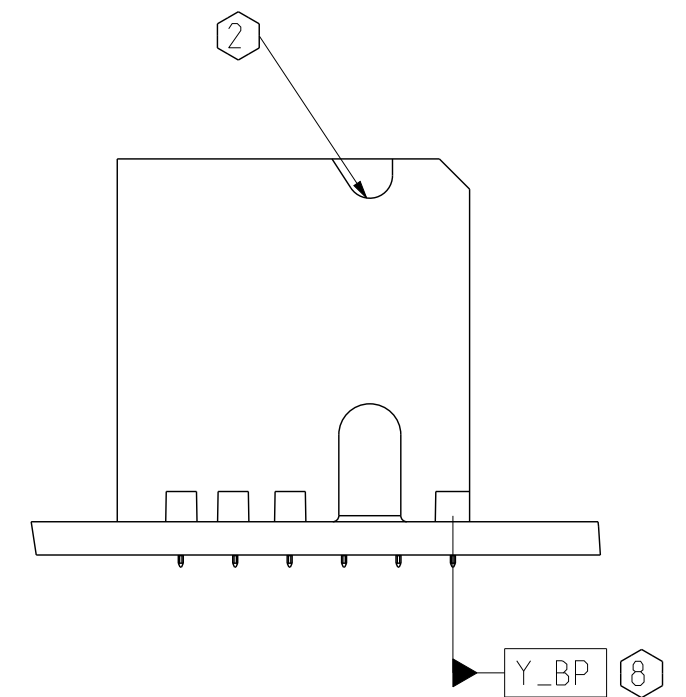
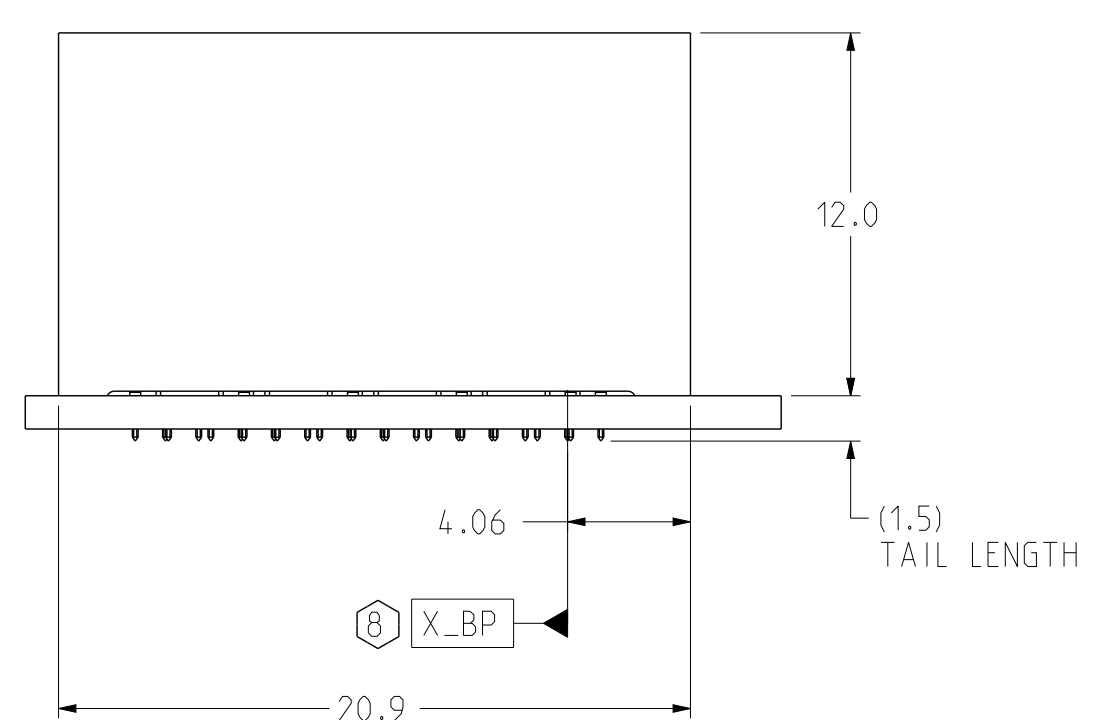


BP HOLE PATTERN COMPONENT SIDE SCALE 8/1

RIGHT WALL BACKPLANE FOOTPRINT

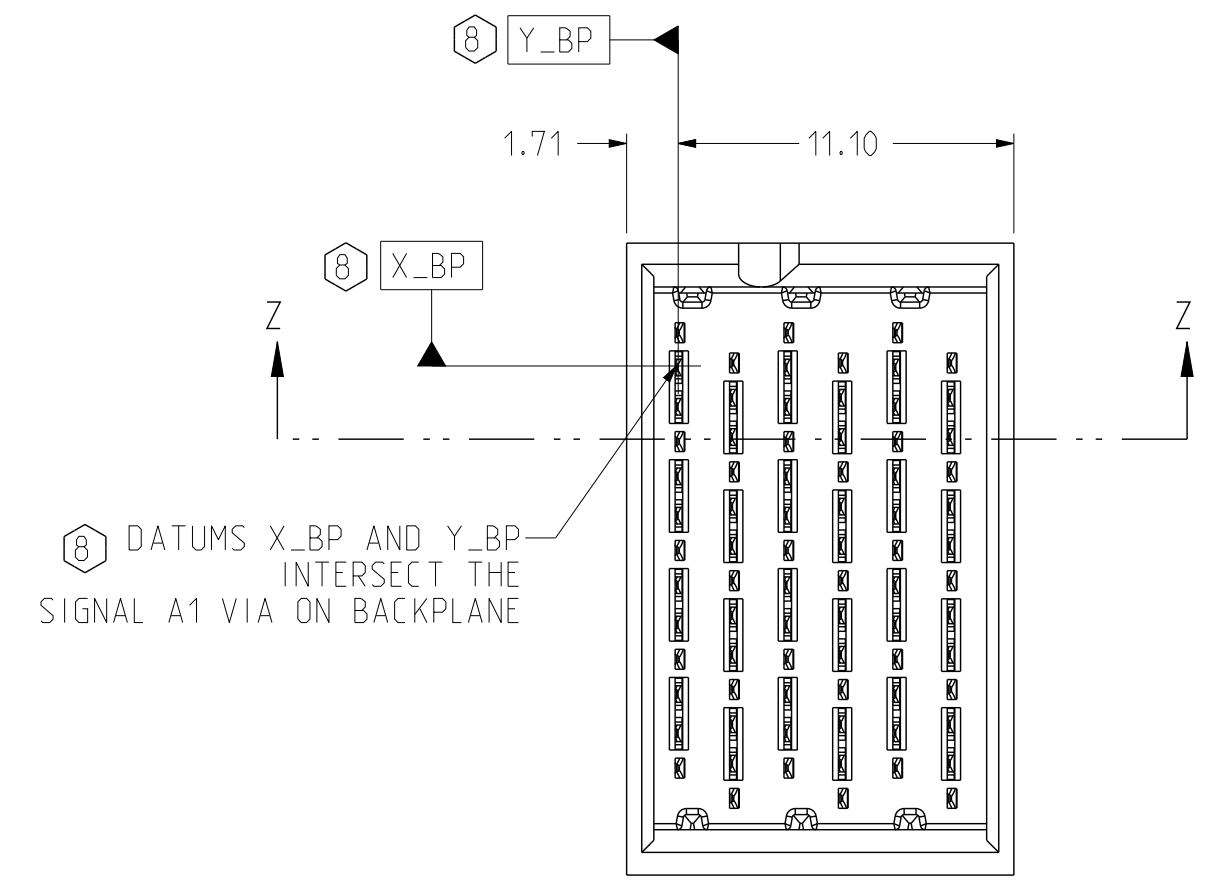


SECTION Z-Z

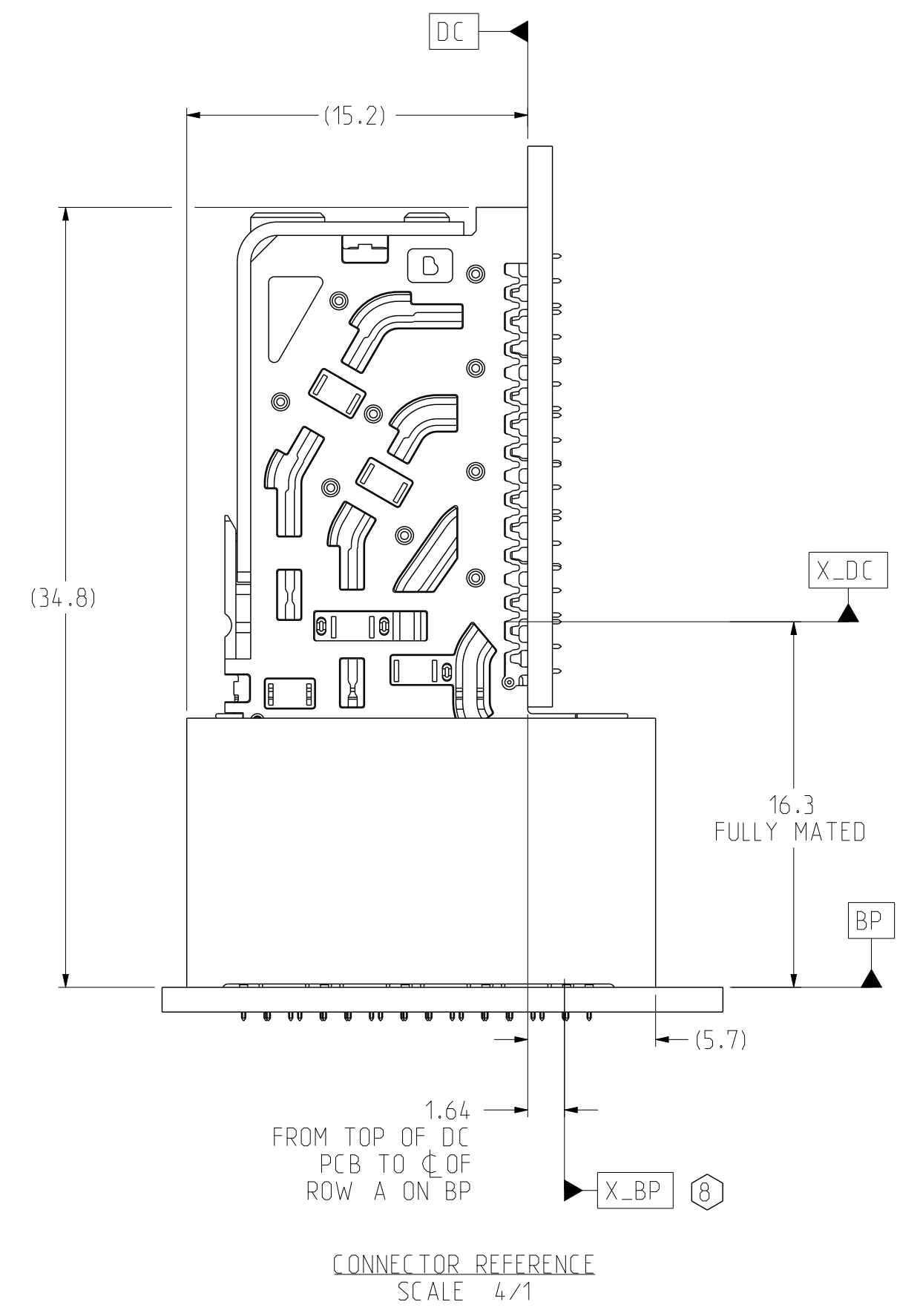


ISOMETRIC VIEW SCALE 3/1

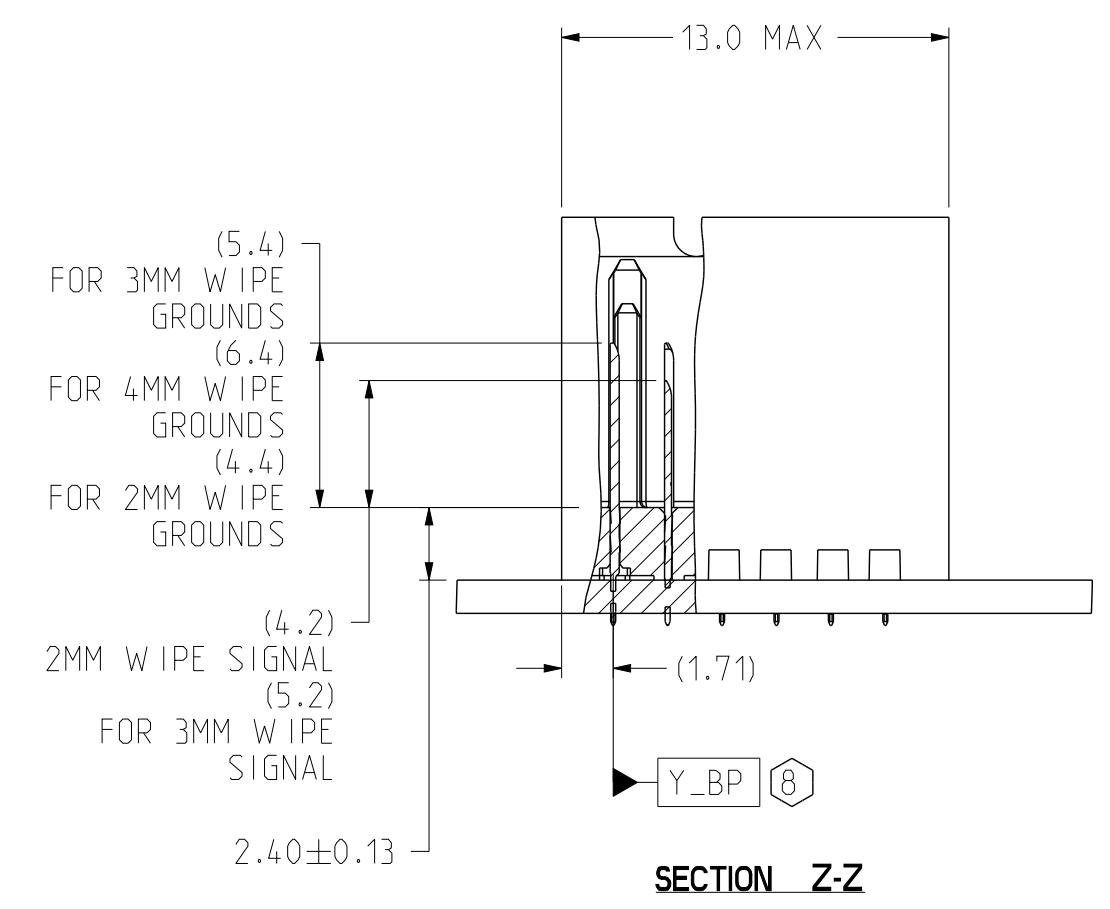
TOLERANCES		DESIGN 12/26/2014 M.HANRAHAN	Amphenol TCS A Division of Amphenol Corporation 200 Innovative Way, Nashua, NH 03062 603.879.3000
0.0	±0.25	DRAWN 12/26/2014 HCL-RV	
0.00	±0.13	CHK 12/26/2014 M.HANRAHAN	TITLE BACKPLANE MODULES, VERTICAL MALE HEADER X/EHD HD PLUS, 4 PAIR @ POS. THICK WALL WITH EXTRA GROUND
0.000	± -	APVD 12/26/2014 M.HANRAHAN	PART NO. SEE PN TREE SHEET 1
ANGLES	± 3°		REV N/A
UNLESS OTHERWISE SPECIFIED DIMENSIONS ARE IN MM. DECIMAL MARKER IS A PERIOD.			DRAWING NO. C-926-401C-500
INTERPRET PER ASME Y14.5M CODE IDENT 31413			ASSEM: C926-401C-500_XG 0.0 DRAWING: C926-401C-500 0.6
CUSTOMER USE DRAWING			SIZE D SCALE 1/1 SHEET 6 OF 9



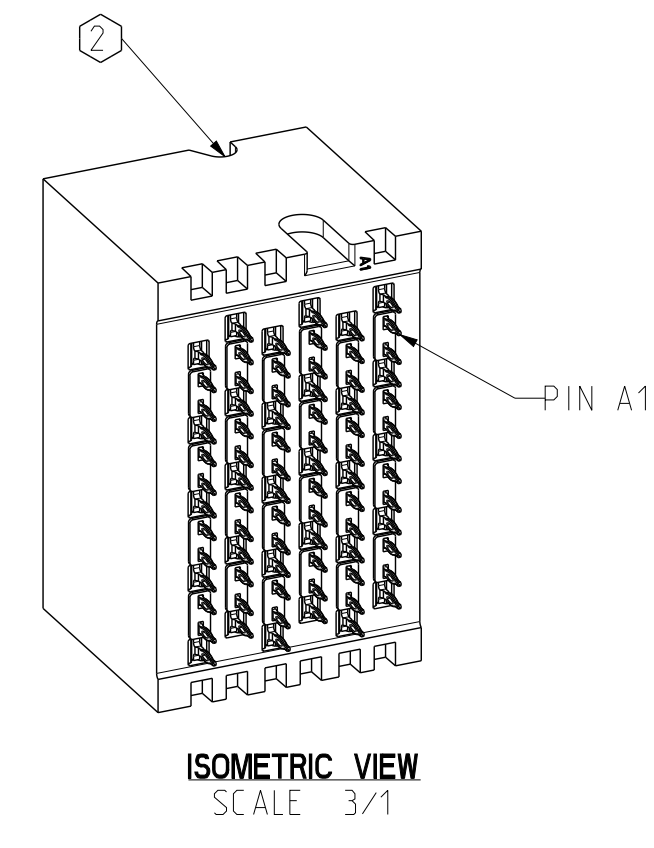
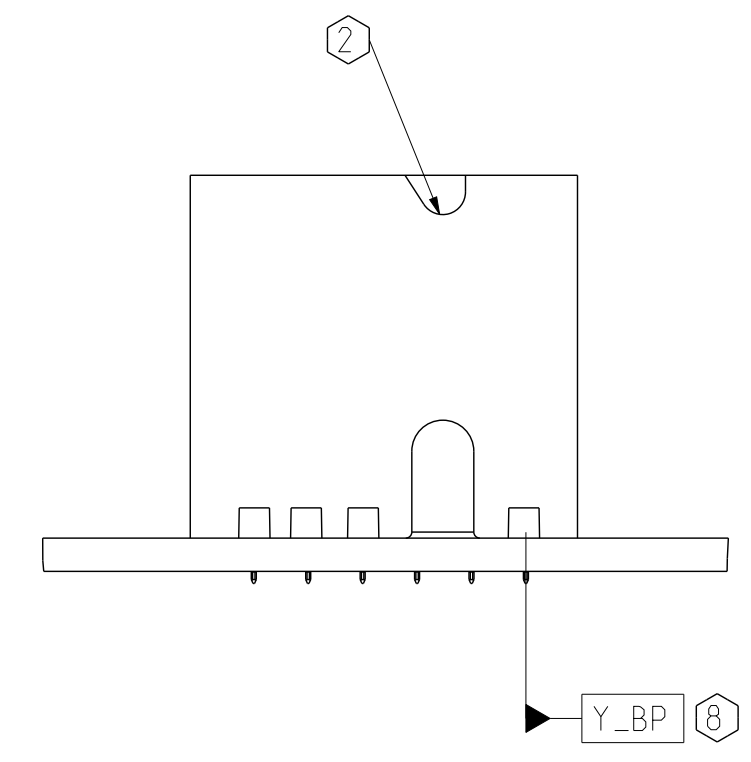
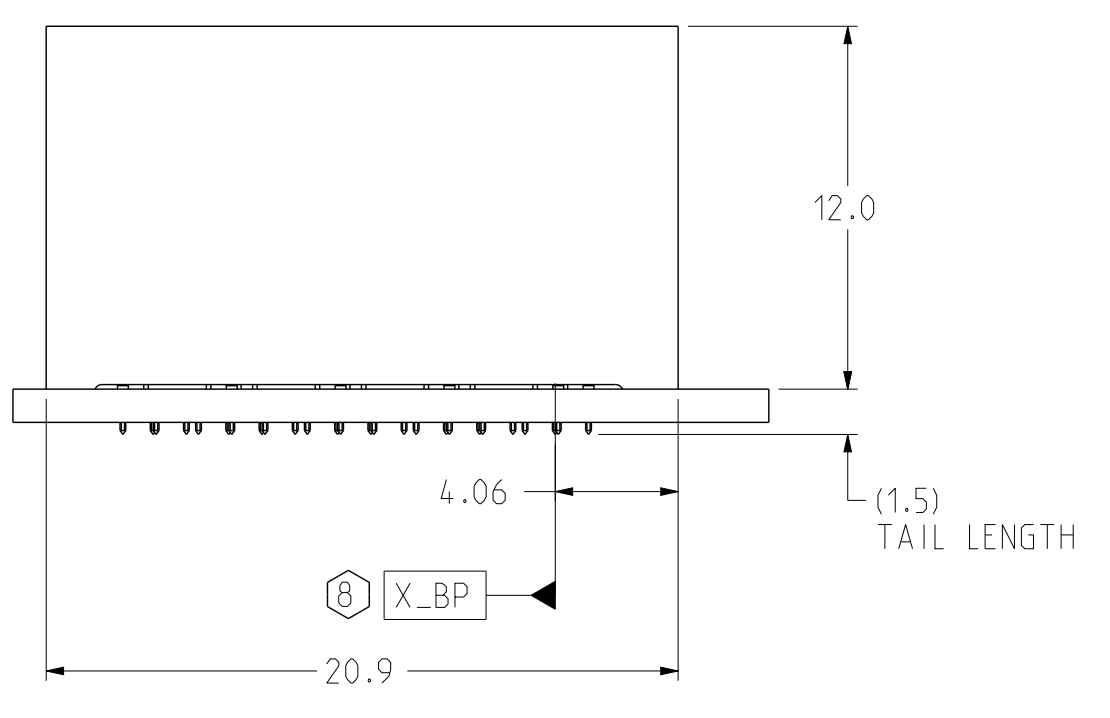
TWO WALL BACKPLANE MODULE DIMENSION



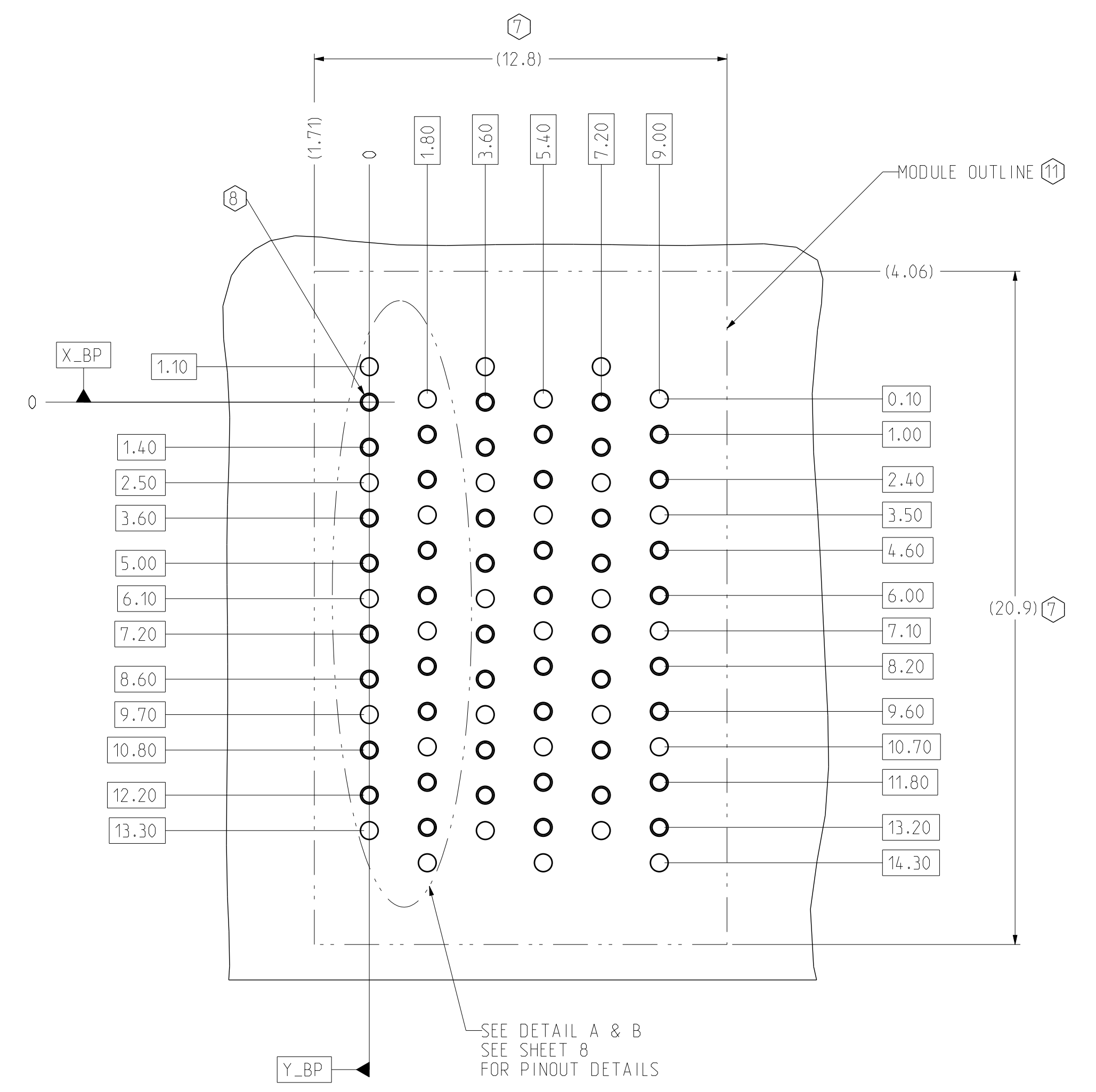
CONNECTOR REFERENCE SCALE 4/1



SECTION Z-Z



ISOMETRIC VIEW SCALE 3/1



BP HOLE PATTERN COMPONENT SIDE SCALE 8/1

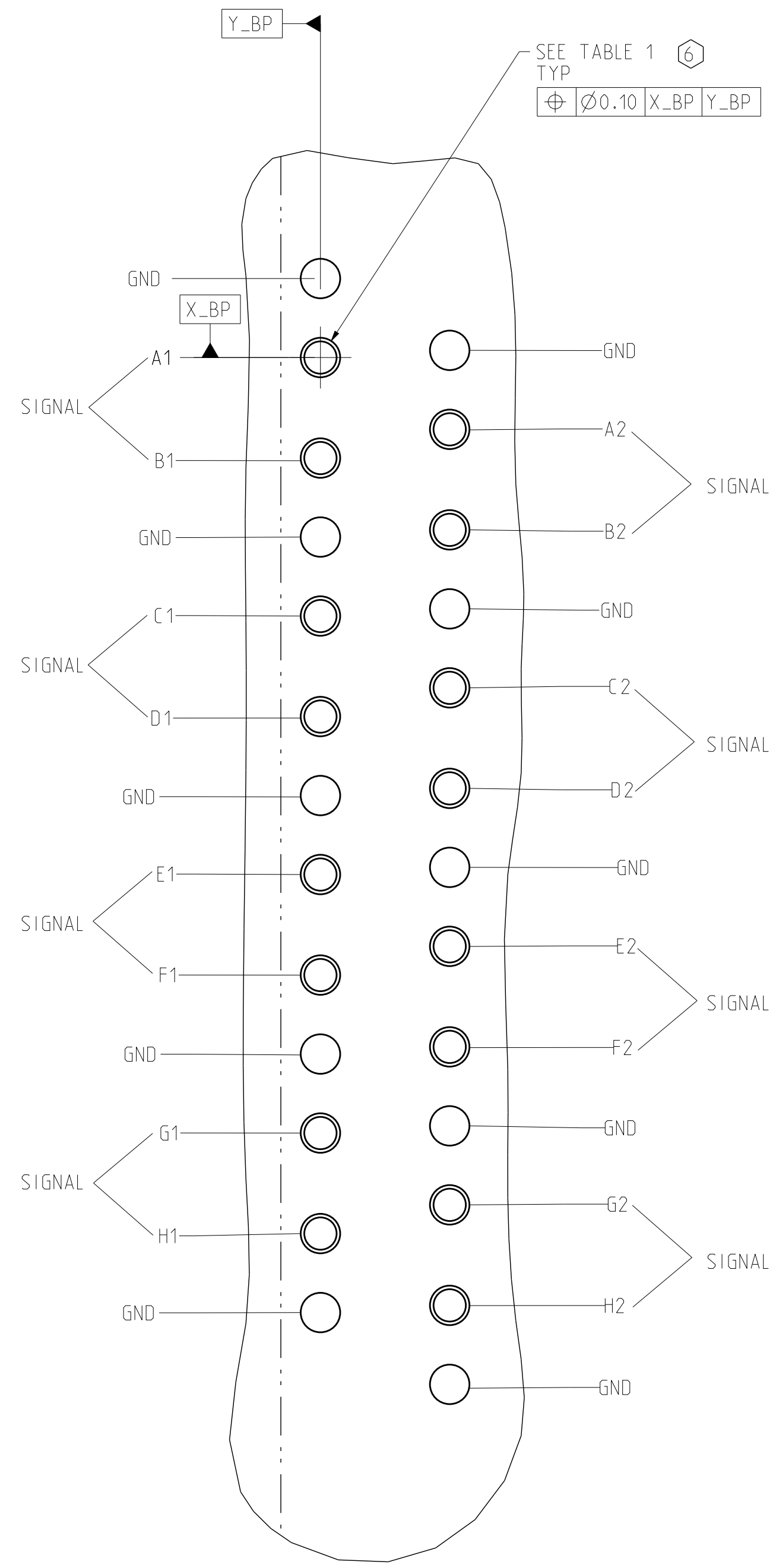
TWO WALL BACKPLANE FOOTPRINT

TOLERANCES		DESIGN 12/26/2014 M.HANRAHAN	Amphenol TCS A Division of Amphenol Corporation 200 Innovative Way, Nashua, NH 03062 603.879.3000
0.0	±0.25	DRAWN 12/26/2014 HCL-RV	
0.00	±0.13	CHK 12/26/2014 M.HANRAHAN	TITLE BACKPLANE MODULES, VERTICAL MALE HEADER XREF: HD PLUS, 4 PAIR & POS, THICK WALL WITH EXTRA GROUND
0.000	±	APVD 12/26/2014 M.HANRAHAN	PART NO. SEE PN TREE SHEET 1
ANGLES ± 3°		UNLESS OTHERWISE SPECIFIED DIMENSIONS ARE IN MM. DECIMAL MARKER IS A PERIOD	
DRAWING NO.		C-926-401C-500	
ASSEMBLY		C926-401C-500_XG 0.0	
DRAWING		C926-401C-500 0.6	
SIZE	D	SCALE	1/1
SHEET		7 OF 9	

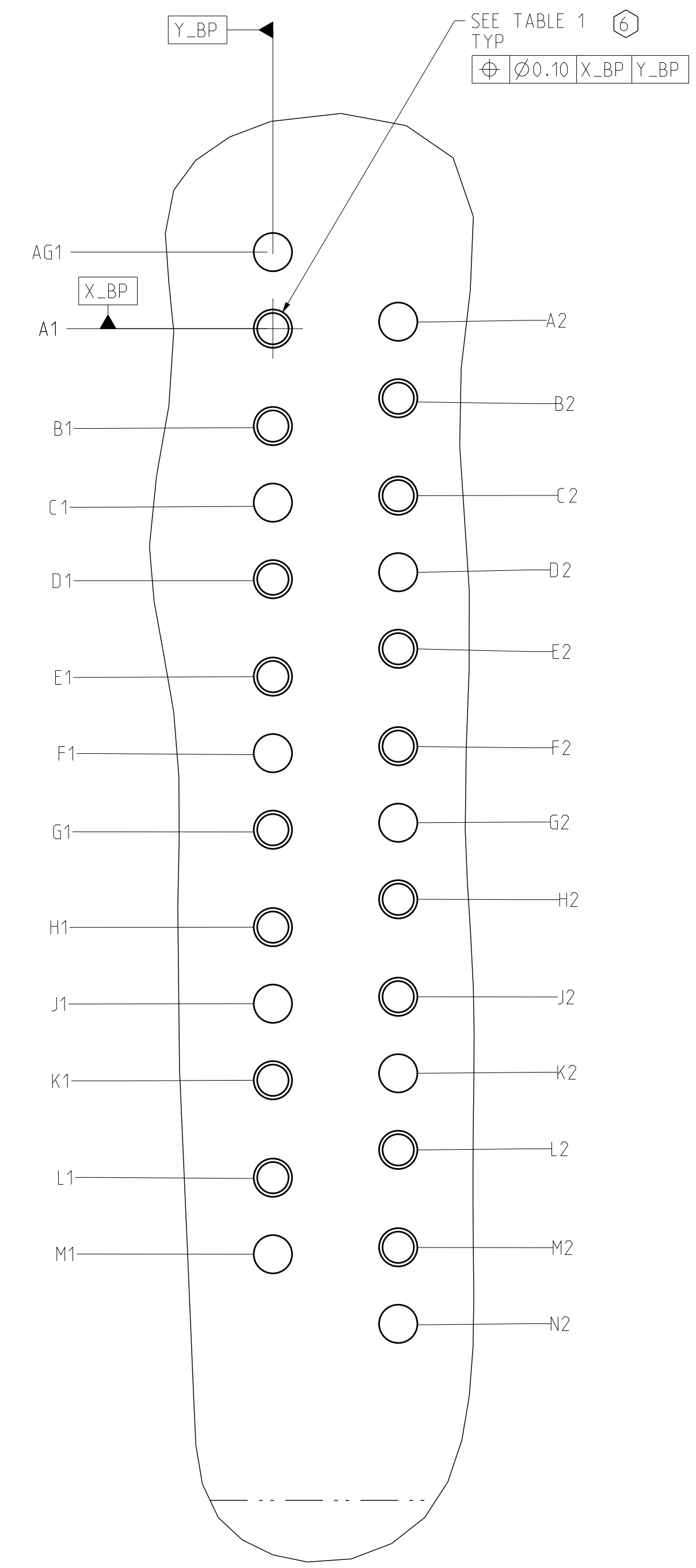
INTERPRET PER ASME Y14.5M
CODE IDENT 31413

CUSTOMER USE
DRAWING

ZONE	REV	ECN	DESCRIPTION	BY	DATE	APPROVED
			SEE SHEET 1			



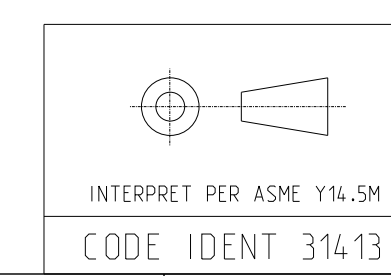
DETAIL A
HSD PINOUTS
SCALE 16/1



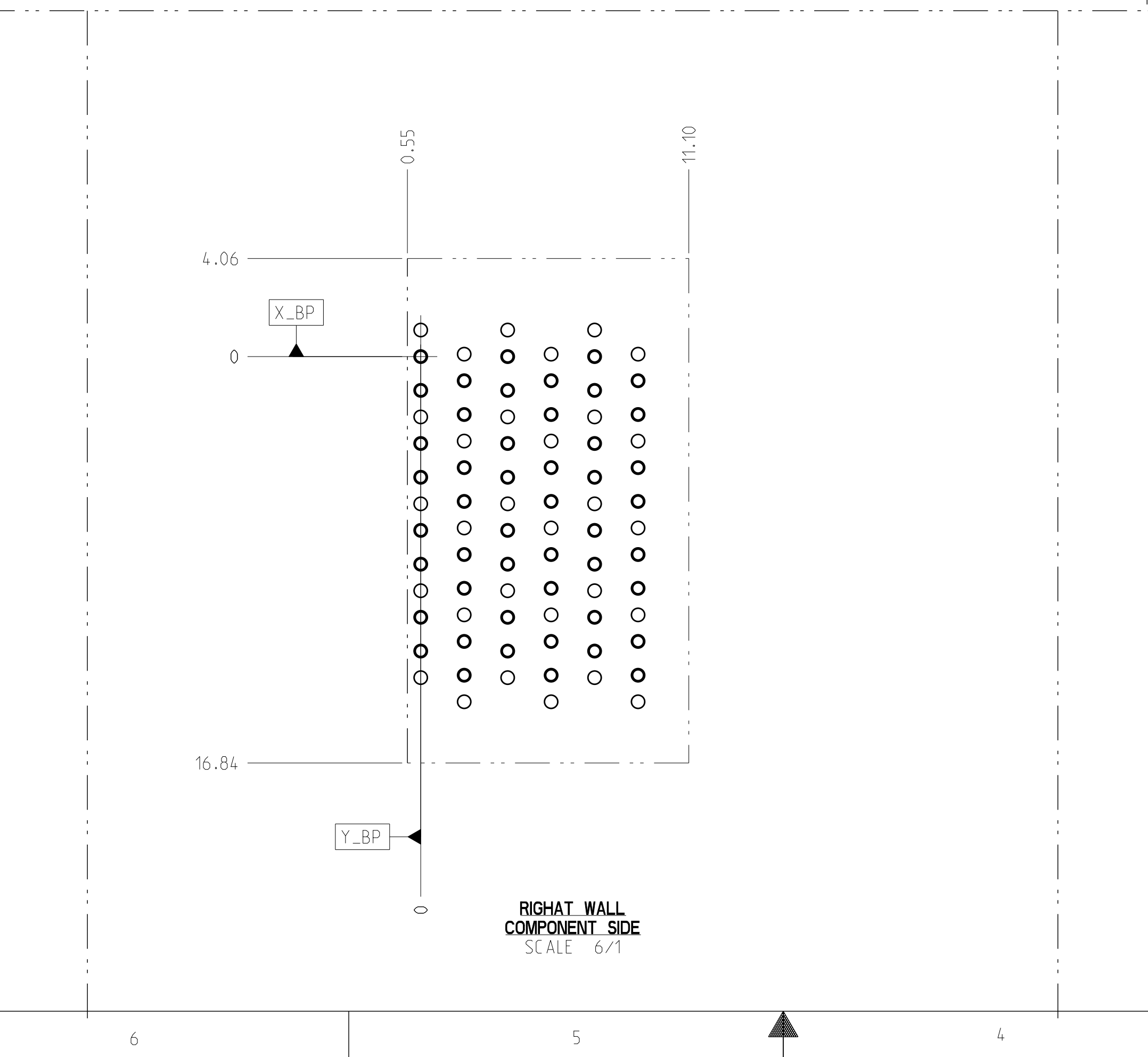
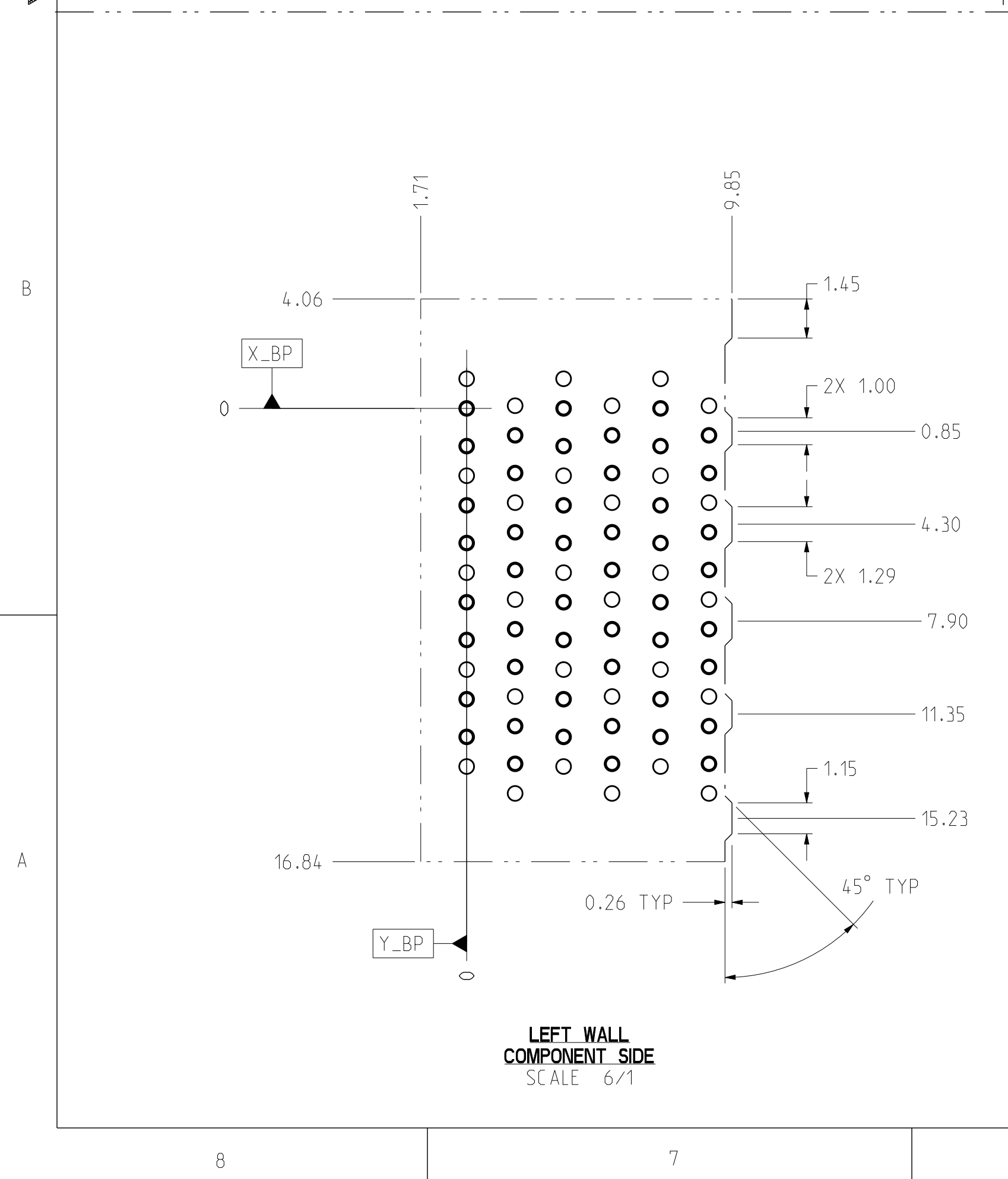
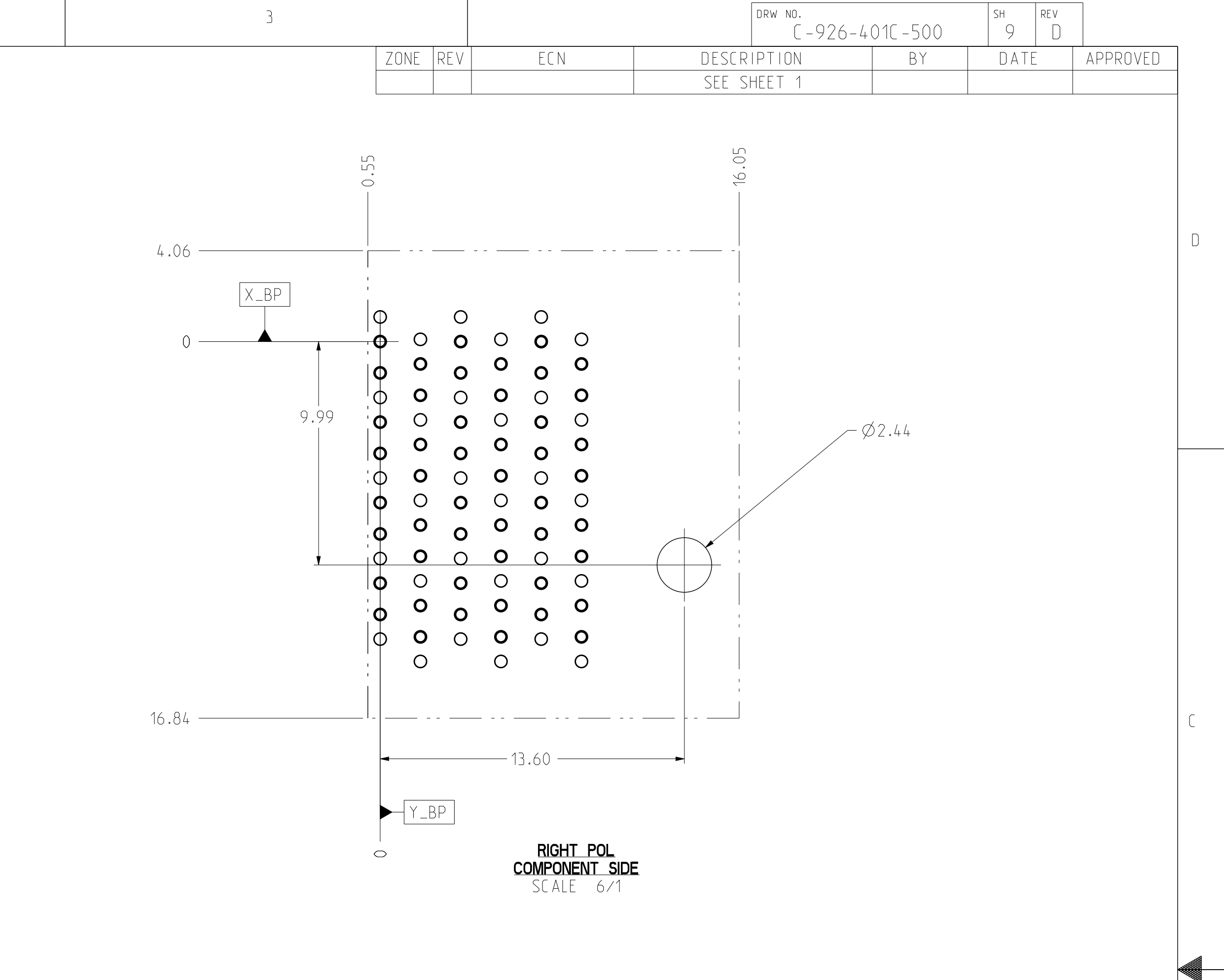
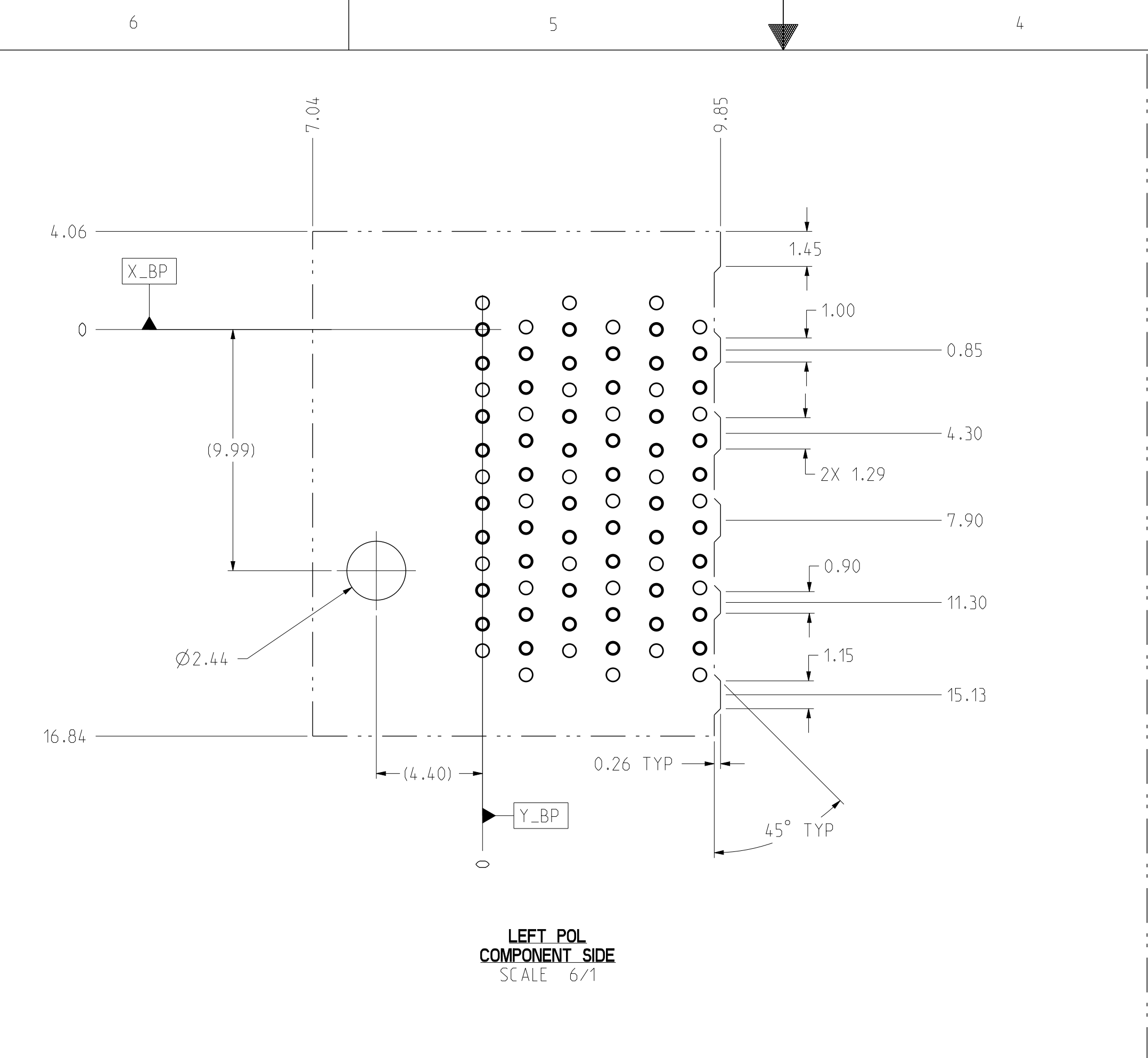
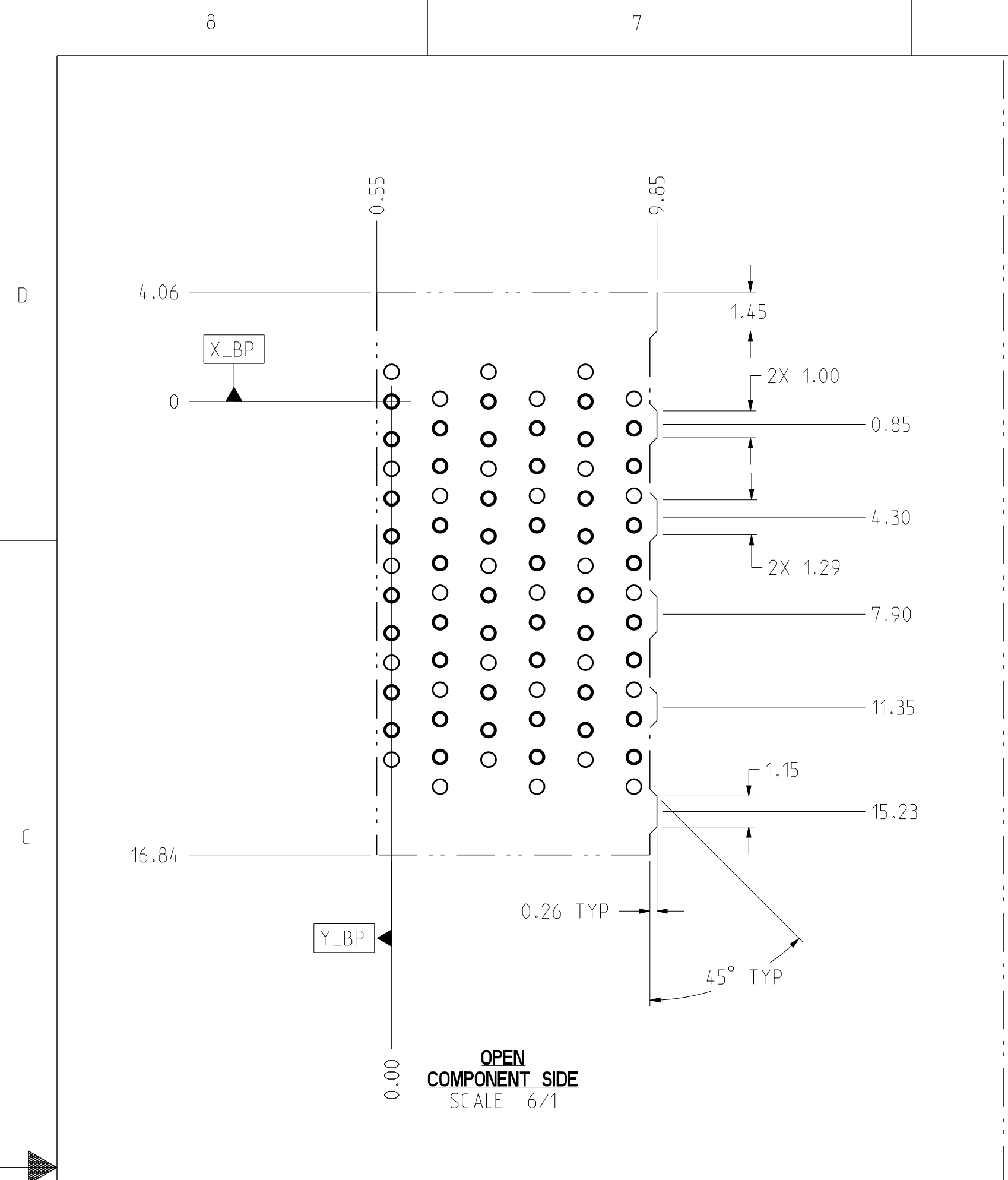
DETAIL B
LC PINOUTS
SCALE 16/1

	COMPLIANT PIN DRILL Ø.0217"	COMPLIANT PIN DRILL Ø.0177"
PTH	Ø0.45±0.05	Ø0.36±0.05
DRILL	Ø0.55 [.0217"]	Ø0.45 [.0177"]
PAD	Ø0.85	Ø0.75

TOLERANCES		DESIGN 12/26/2014 M.HANRAHAN	Amphenol TCS A Division of Amphenol Corporation 200 Innovative Way, Nashua, NH 03082 603.879.3000
0.0	±0.25	DRAWN 12/26/2014 HCL-RV	
0.00	±0.13	CHK 12/26/2014 M.HANRAHAN	
0.000	± -	APVD 12/26/2014 M.HANRAHAN	
ANGLES	± 3°	TITLE BACKPLANE MODULES, VERTICAL MALE HEADER *See HD PLUS, L PAIR & POS. THICK WALL WITH EXTRA GROUND	
UNLESS OTHERWISE SPECIFIED DIMENSIONS ARE IN MM. DECIMAL MARKER IS A PERIOD.			PART NO. SEE PN TREE SHEET 1
DRAWING NO. C-926-401C-500			REV D
ASSEM: C926-401C-500_XG 0.0			0.0
DRAWING: C926-401C-500 0.6			0.6
SIZE	D	SCALE 1/1	SHEET 8 OF 9

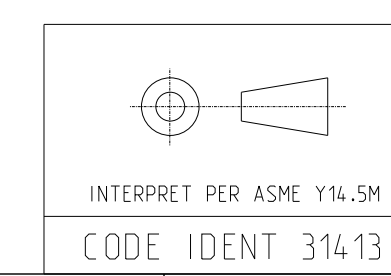


DRW NO.	C-926-401C-500	SH	9	REV	D	
ZONE	REV	ECN	DESCRIPTION	BY	DATE	APPROVED
			SEE SHEET 1			



SILK SCREEN DETAILS FOR BACKPLANE MODULE OUTLINE

TOLERANCES		DESIGN 05/13/2014 M.HANRAHAN	Amphenol TCS A Division of Amphenol Corporation 200 Innovative Way, Nashua, NH 03062 603.879.3000
0.0	±0.25	DRAWN 12/26/2014 HCL-RV	
0.00	±0.13	CHK 12/26/2014 M.HANRAHAN	
0.000	± -	APVD 12/26/2014 M.HANRAHAN	
ANGLES ± 3°		TITLE BACKPLANE MODULES, VERTICAL MALE HEADER *See HD PLUS, 4 PAIR & POS. THICK WALL WITH EXTRA GROUND	
UNLESS OTHERWISE SPECIFIED DIMENSIONS ARE IN MM. DECIMAL MARKER IS A PERIOD		PART NO. SEE PN TREE SHEET 1	REV N/A
DRAWING NO. C-926-401C-500		REV D	
ASSEM: C926-401C-500_XG 0.0		DRAWING: C926-401C-500 0.6	
SIZE D	SCALE 1/1	SHEET 9 OF 9	



CUSTOMER USE
DRAWING