

ZONE	REV	ECN NUMBER	DESCRIPTION	BY	DATE	APPROVED
SHT1 C7	D	DCOY-A2DKPQ.VER01	REMOVED N AND Z OPTIONS FROM POL GUIDE TABLE.	HCL-NB	10/16/2015	D.COVEY
SHT1 C4			REMOVED ROLLED GUIDE PIN OPTION IN PIN STYLE TABLE.			
SHT1. B8	E	DCOY-AB4NPZ.VER01	UPDATED PART MARKING REQUIREMENTS	HCL-DC	06/22/2016	D.COVEY
SHT1	F	JN11-19082209	ADDED PLATING OPTION "R" AND "U" TO P/N TREE	HCL-SG	09/04/2019	J.NI

NOTE: ONLY THREE MOST RECENT RELEASED REVISIONS DISPLAYED.

XCede HD BACKPLANE MODULE MALE STANDARD LOAD

9 2 3 - 4 X 0 J - X X X

4 PAIR

4-POSITION

NUMBER	PIN STYLE, HEIGHT
0	GUIDE PIN MACHINED, 28.5mm / OPEN MODULE

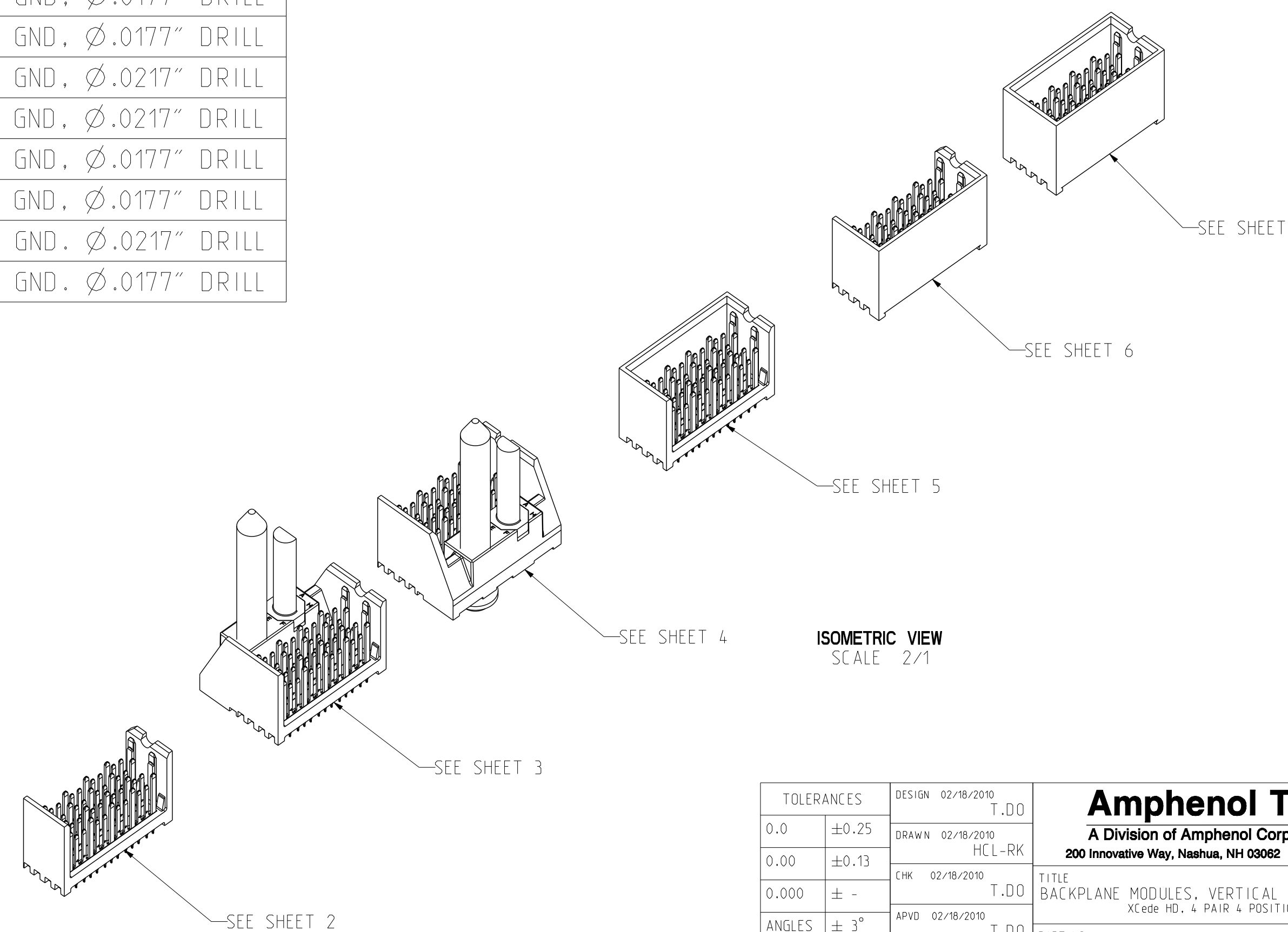
LETTER	PLATING
B	NI SULFAMATE, STANDARD GOLD, LEADED
C	NI SULFAMATE, HIGH GOLD, LEADED
D	NI SULFAMATE, STANDARD GOLD, LEADFREE
E	NI SULFAMATE, HIGH GOLD, LEADFREE
F	NANO NI, STANDARD GOLD, LEADED
G	NANO NI, HIGH GOLD, LEADED
H	NANO NI, STANDARD GOLD, LEADFREE
J	NANO NI, HIGH GOLD, LEADFREE
R	NANO NI BILAYER, STANDARD GOLD, LEADFREE
U	NANO NI BILAYER, HIGH GOLD, LEADFREE

NUMBER	SIGNAL & LG. GROUND WIPE LENGTH, COMPLIANT PIN SIZE
1	2 mm WIPE SIGNAL, 4 mm WIPE LG GND, Ø.0217" DRILL
2	3 mm WIPE SIGNAL, 4 mm WIPE LG GND, Ø.0217" DRILL
3	2 mm WIPE SIGNAL, 4 mm WIPE LG GND, Ø.0177" DRILL
4	3 mm WIPE SIGNAL, 4 mm WIPE LG GND, Ø.0177" DRILL
5	2 mm WIPE SIGNAL, 3 mm WIPE LG GND, Ø.0217" DRILL
6	3 mm WIPE SIGNAL, 3 mm WIPE LG GND, Ø.0217" DRILL
7	2 mm WIPE SIGNAL, 3 mm WIPE LG GND, Ø.0177" DRILL
8	3 mm WIPE SIGNAL, 3 mm WIPE LG GND, Ø.0177" DRILL
C	2 mm WIPE SIGNAL, 2 mm WIPE LG GND, Ø.0217" DRILL
D	2 mm WIPE SIGNAL, 2 mm WIPE LG GND, Ø.0177" DRILL

	LETTER								
LEFT POLARIZING GUIDANCE (SEE SHEET 3)	J (NO KEY)	A	B	C	D	E	F	G	H
RIGHT POLARIZING GUIDANCE (SEE SHEET 4)	Y (NO KEY)	P	Q	R	S	T	U	V	W
OPEN (SEE SHEET 2)	O (ZERO)								
LEFT WALL (SEE SHEET 5)	L								
RIGHT WALL (SEE SHEET 6)	M								
TWO WALL (SEE SHEET 7)	1								

NOTES:

- REFER TO TB-2308 FOR XCede HD PRODUCT SPECIFICATIONS.
- NOTCH DESIGNATES "ROW A" SIDE OF SHROUD. NOTCH FEATURE ON OPPOSITE SIDE FROM PART MARKING.
- SEE TB-2325 FOR PART MARKING REQUIREMENTS.
- PLATING THICKNESS OF SIGNAL CONTACT AND GROUND CONTACT IS DETERMINED BY PLATING CODE. SEE PART NUMBER TREE SHEET 1.
- REPAIR PROCEDURE FOR MODULE. SEE TB-2245.
- SEE TB-2237 FOR ROUTING GUIDELINES & PTH REQ'S.
- SEE DOC XXXX-XXXX-XXX FOR TOOLING KEEPOUT ZONES.
- BACKPLANE DATUM REFERENCE.
- DIMENSIONS APPLY FOR BOTH COMPLIANT PIN SIZES.
- OPTIONAL HOLE/MOUNTING SCREW LOCATION FOR GROUNDED PIN OR ADDITIONAL GUIDE PIN SUPPORT. ONLY APPLIES FOR MACHINED GUIDE PIN APPLICATIONS.



TOLERANCES	DESIGN	DATE	T.D.O	Amphenol TCS A Division of Amphenol Corporation 200 Innovative Way, Nashua, NH 03062 603.879.3000
0.0	±0.25	02/18/2010	T.D.O	
0.00	±0.13	02/18/2010	HCL-RK	
0.000	±	02/18/2010	T.D.O	
ANGLES	± 3°	02/18/2010	APVD	T.D.O

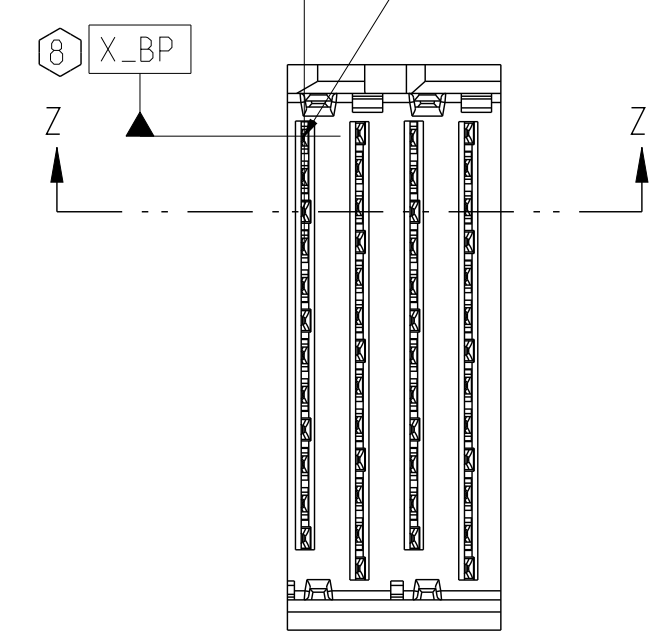
UNLESS OTHERWISE SPECIFIED DIMENSIONS ARE IN MM. DECIMAL MARKER IS A PERIOD.		PART NO. SEE PN TREE SHEET 1		REV N/A
DRAWING NO. C-923-400J-500		REV F		
ASSEM: C923-400J-500		1.2		
DRAWING: C923-400J-500		A.11		
SIZE D	SCALE 1/1	SHEET 1 OF 8		

INTERPRET PER ASME Y14.5M
CODE IDENT 31413

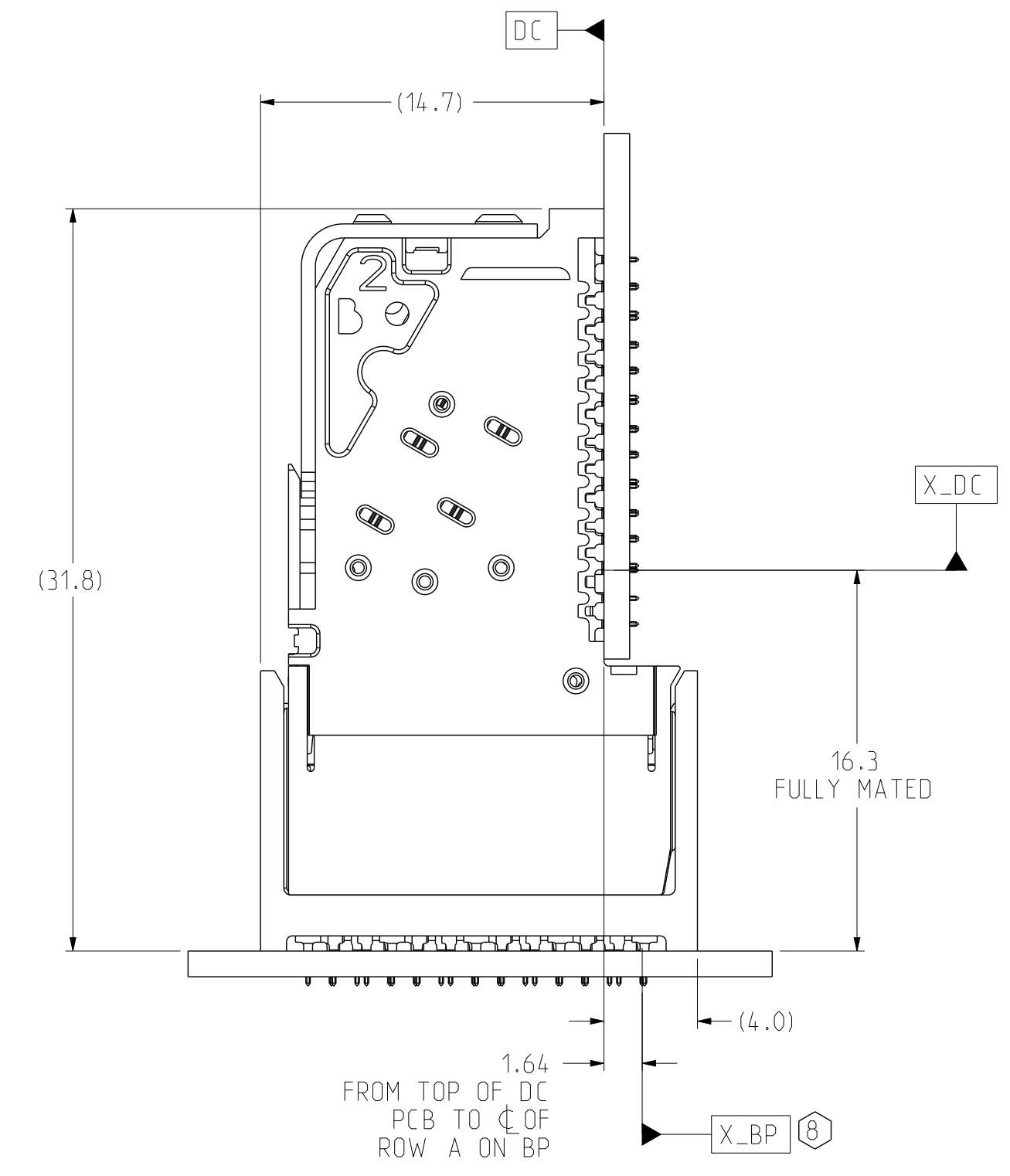
CUSTOMER USE DRAWING

ZONE	REV	ECN NUMBER	DESCRIPTION	BY	DATE	APPROVED
			SEE SHEET 1			

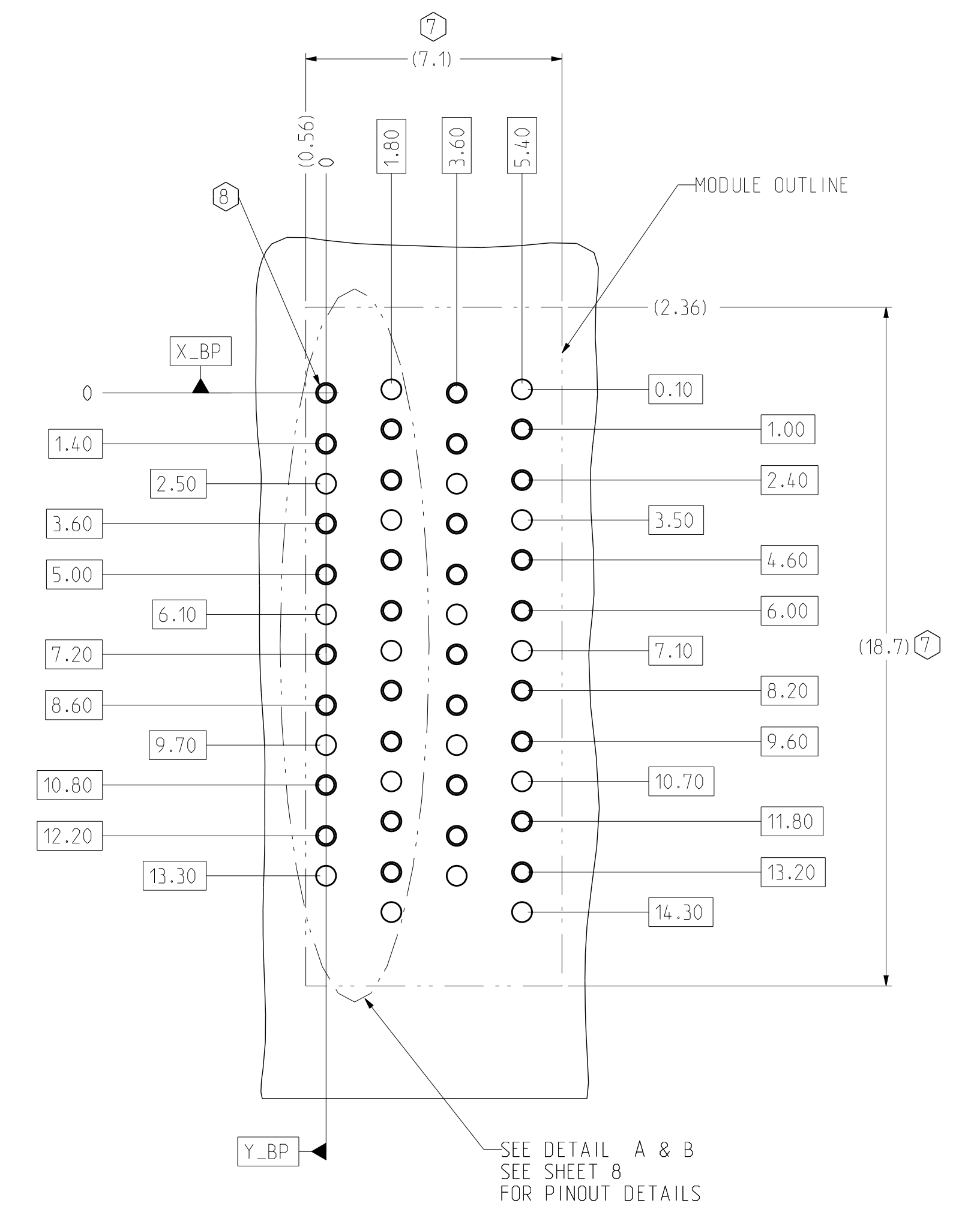
DATUMS X_BP AND Y_BP INTERSECT THE SIGNAL A1 VIA ON BACKPLANE



OPEN BACKPLANE MODULE DIMENSION

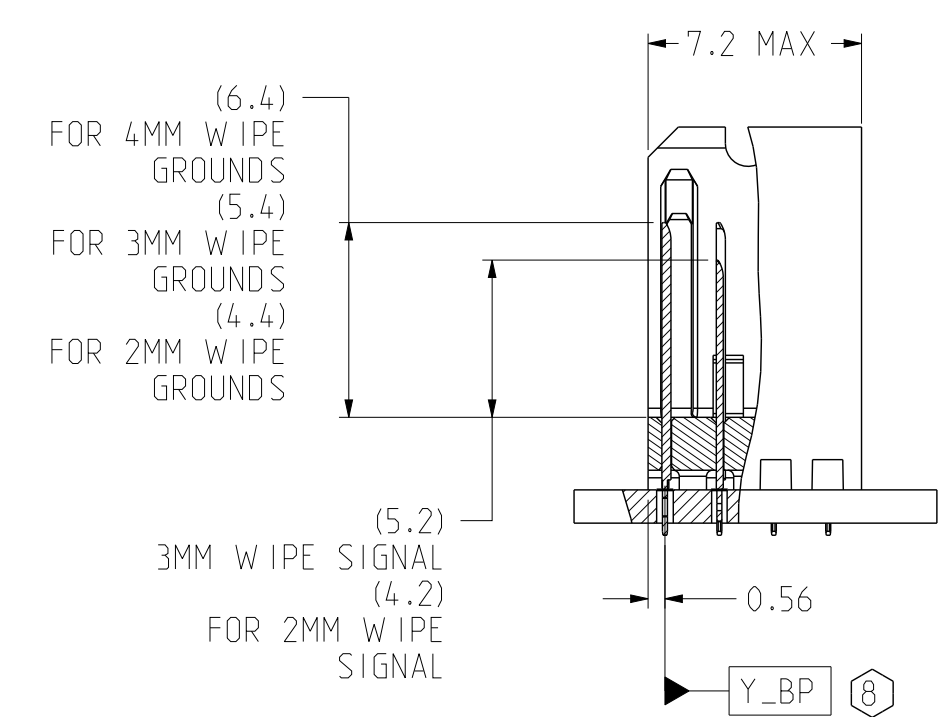


CONNECTOR REFERENCE
SCALE 4/1

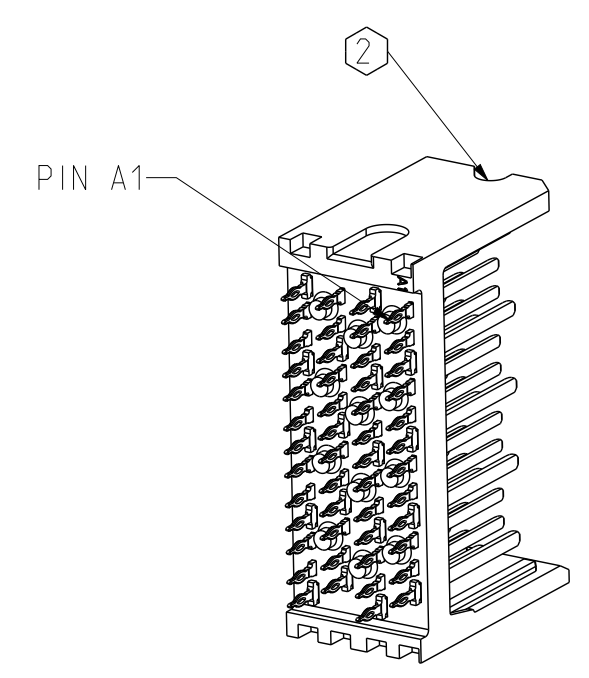
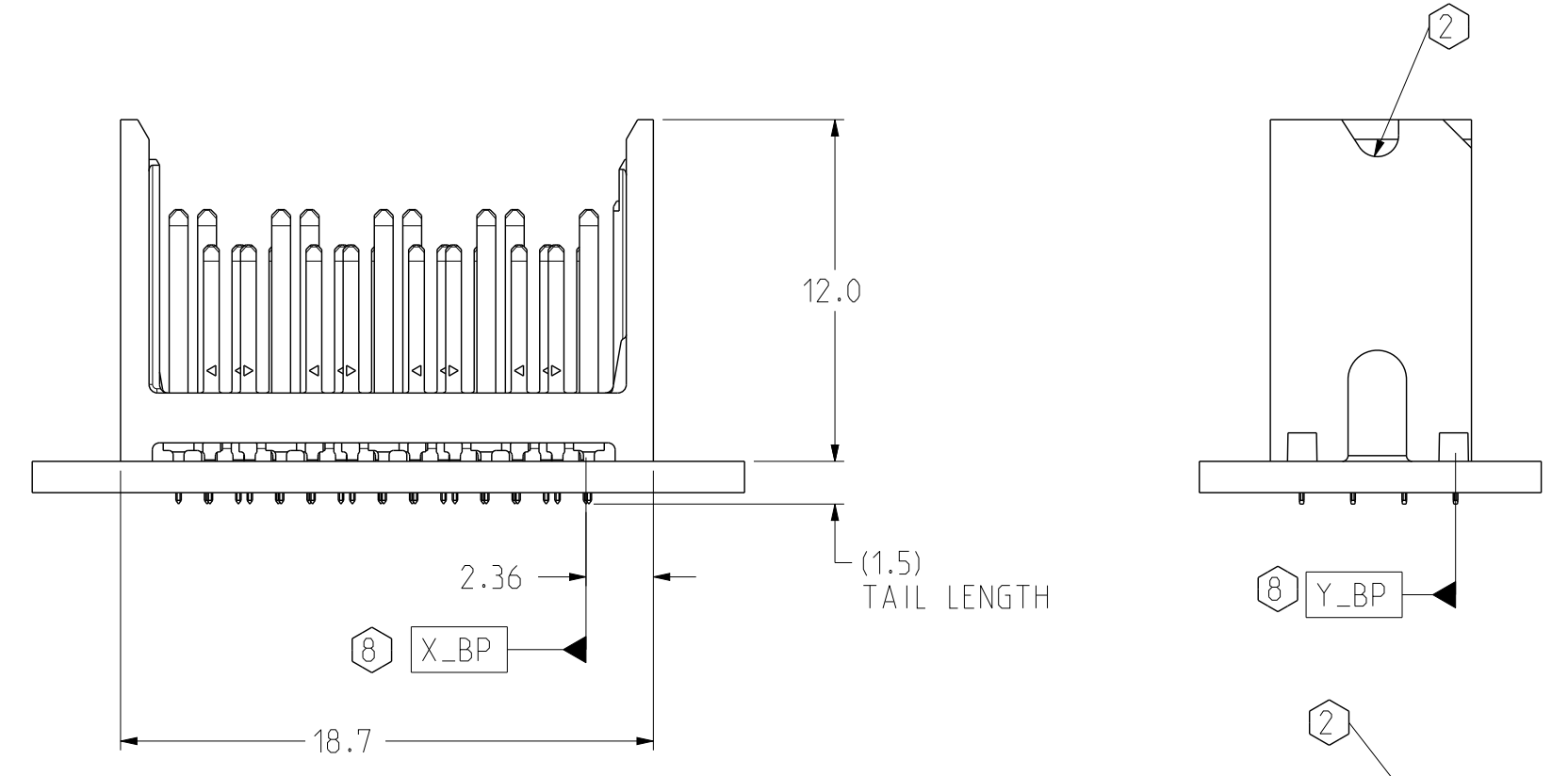


BP HOLE PATTERN
COMPONENT SIDE
SCALE 8/1

OPEN BACKPLANE FOOTPRINT



SECTION Z-Z



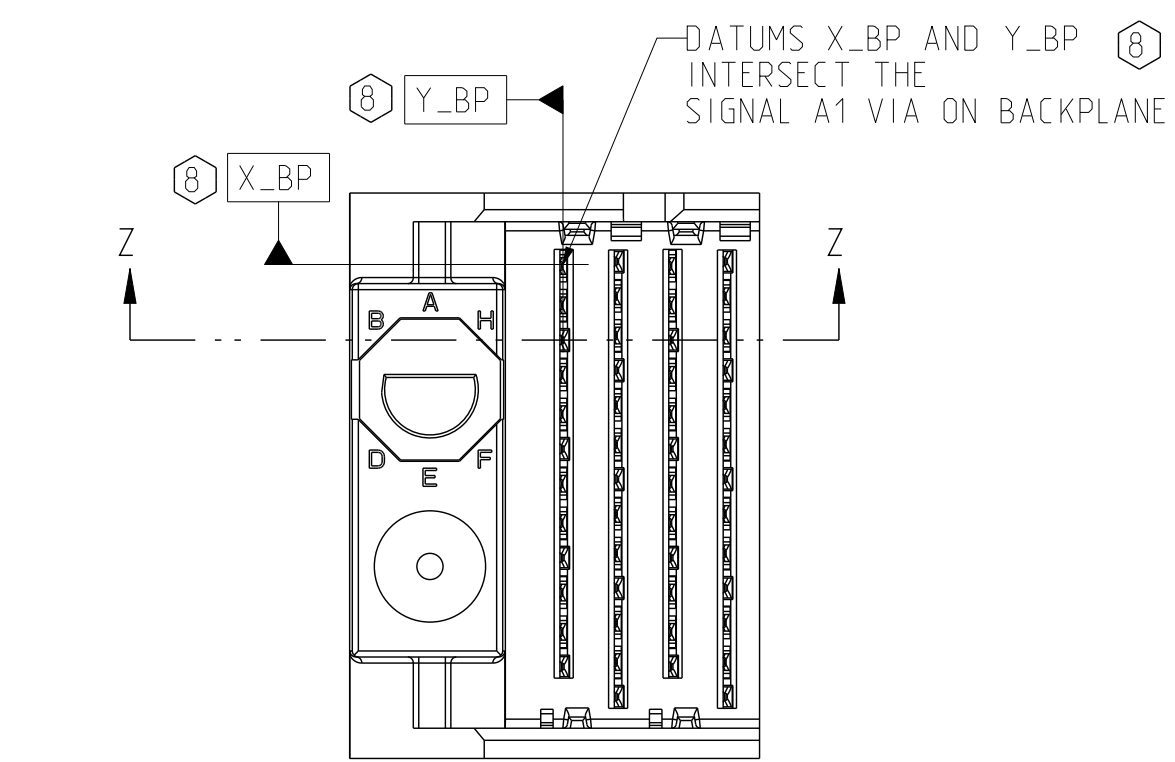
ISOMETRIC VIEW
SCALE 3/1

TOLERANCES		DESIGN 02/18/2010	Amphenol TCS	
0.0	± 0.25	T.D.O	A Division of Amphenol Corporation	
0.00	± 0.13	HCL-RK	200 Innovative Way, Nashua, NH 03062 603.879.3000	
0.000	$\pm -$	T.D.O	TITLE BACKPLANE MODULES, VERTICAL MALE HEADER	
ANGLES	$\pm 3^\circ$	T.D.O	XCede HD, 4 PAIR 4 POSITION	
UNLESS OTHERWISE SPECIFIED DIMENSIONS ARE IN MM. DECIMAL MARKER IS A PERIOD			PART NO.	REV
			SEE PN TREE SHEET 1	N/A
			DRAWING NO.	REV
			C-923-400J-500	F
			ASSEM: C923-400J-500	1.2
			DRAWING: C923-400J-500	A.11
SIZE	D	SCALE	1/1	SHEET 2 OF 8

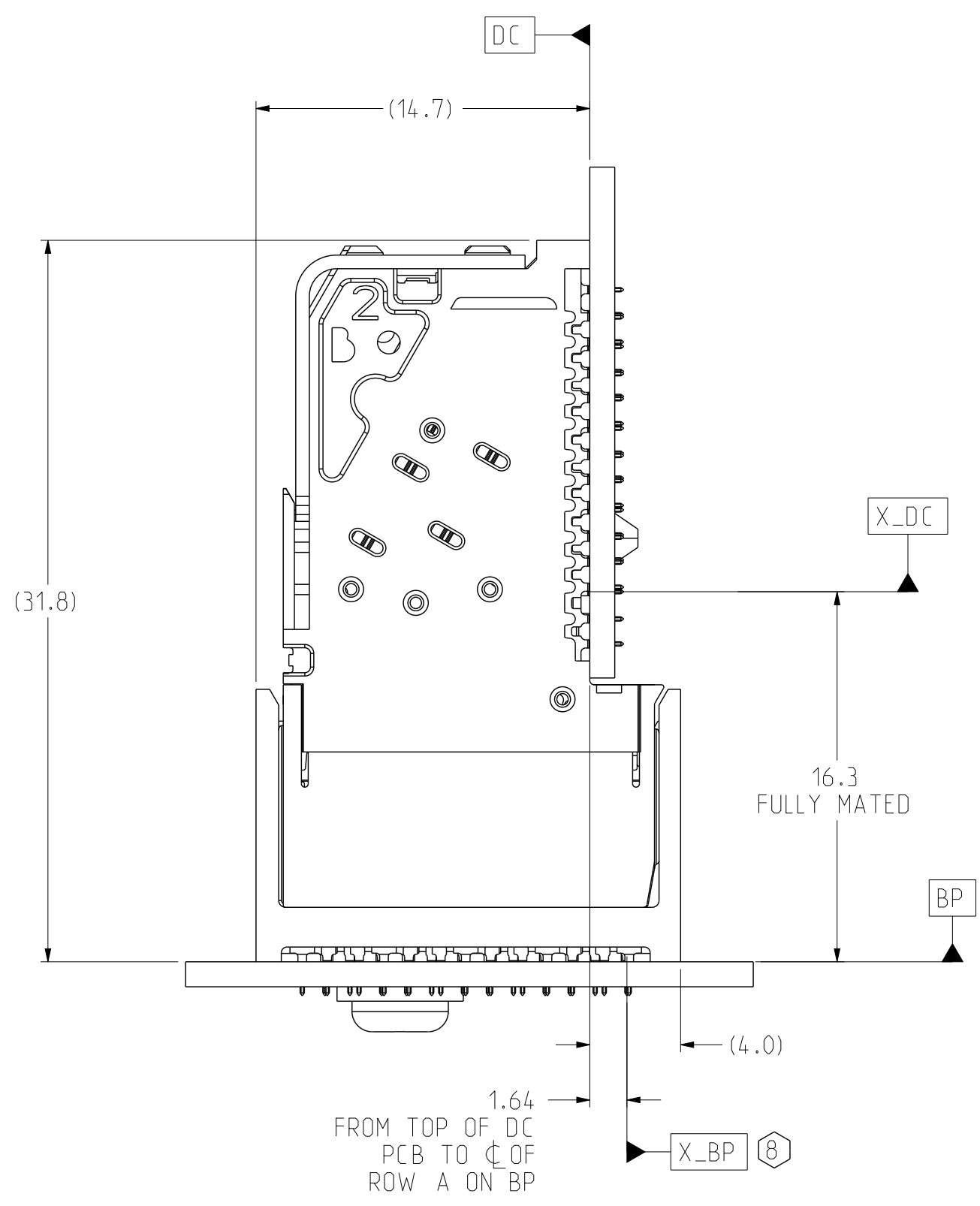
INTERPRET PER ASME Y14.5M
CODE IDENT 31413

CUSTOMER USE
DRAWING

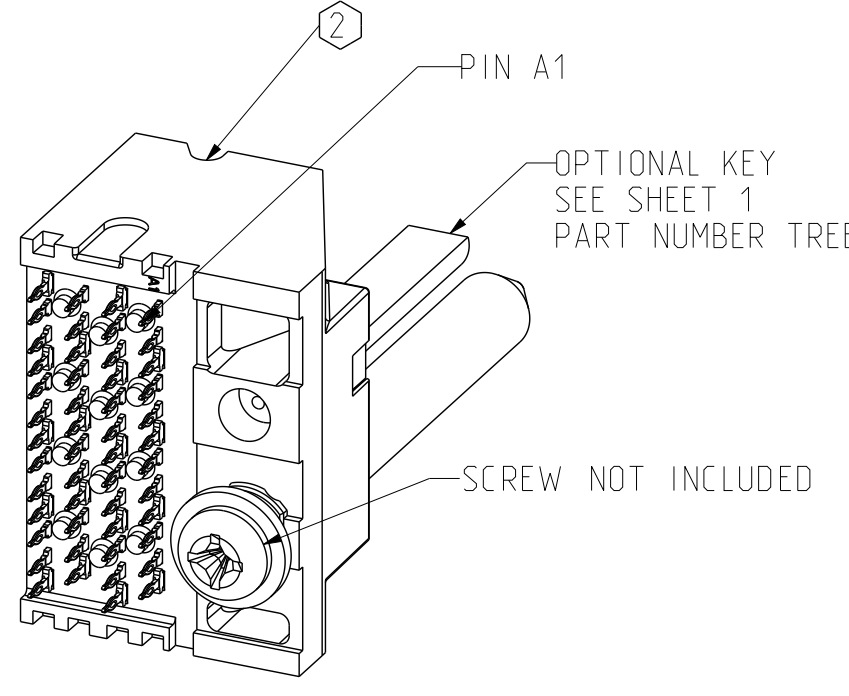
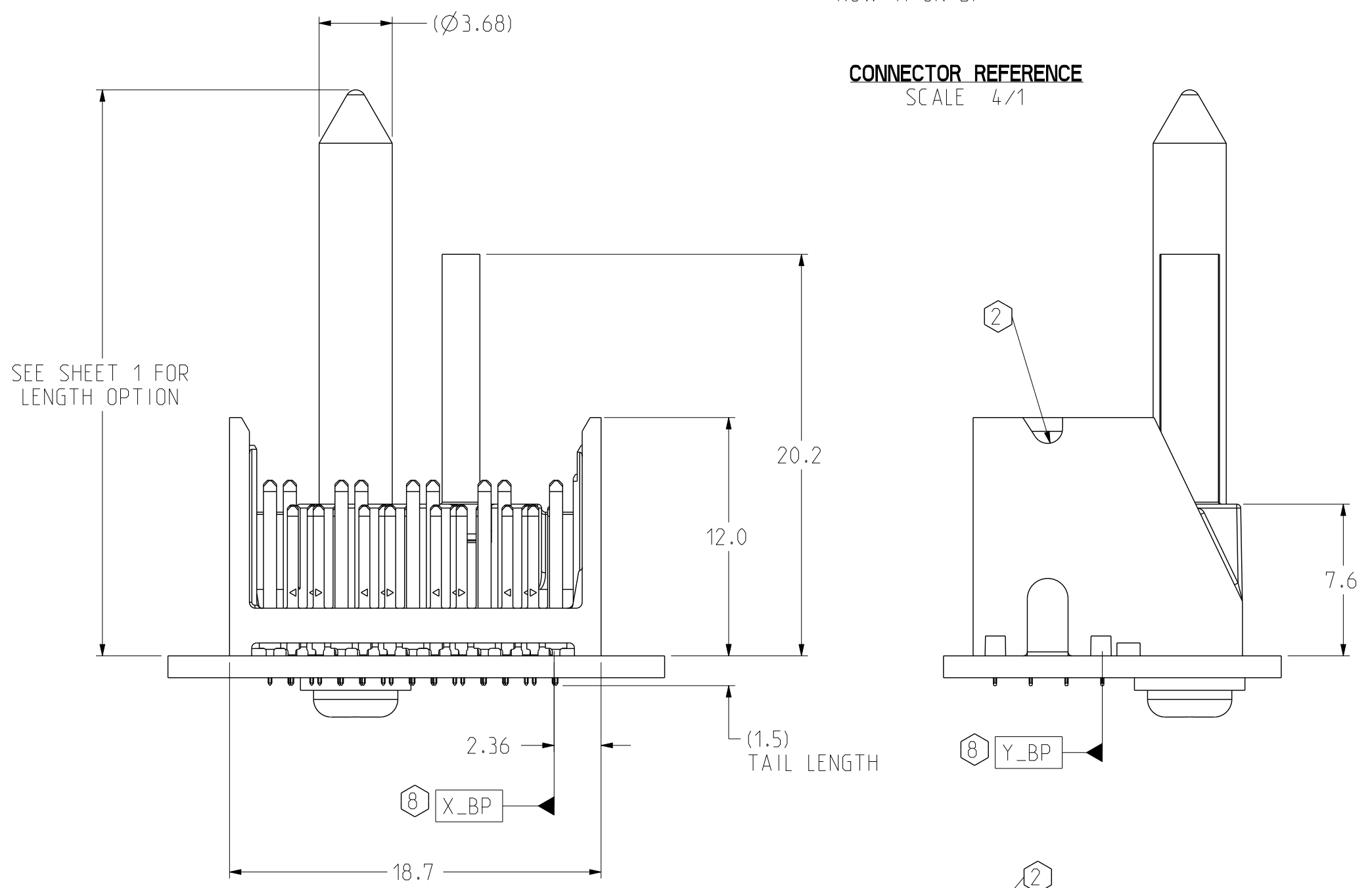
ZONE	REV	ECN NUMBER	DESCRIPTION	BY	DATE	APPROVED
			SEE SHEET 1			



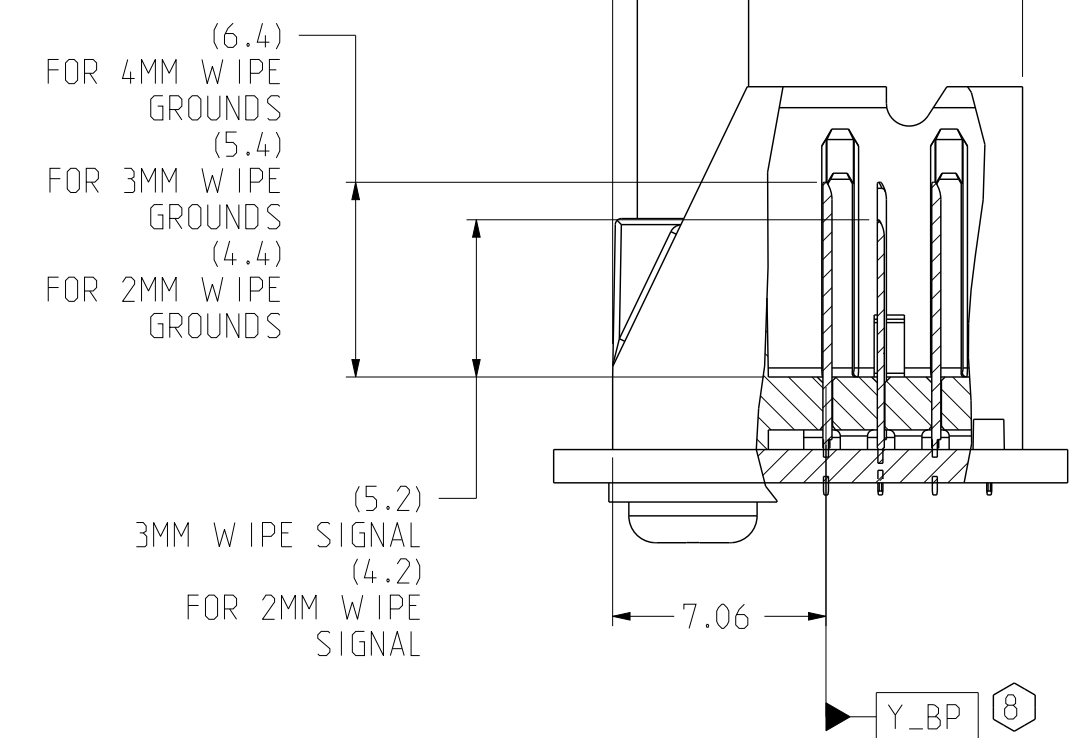
LEFT POLARIZING/GUIDE BACKPLANE MODULE DIMENSION



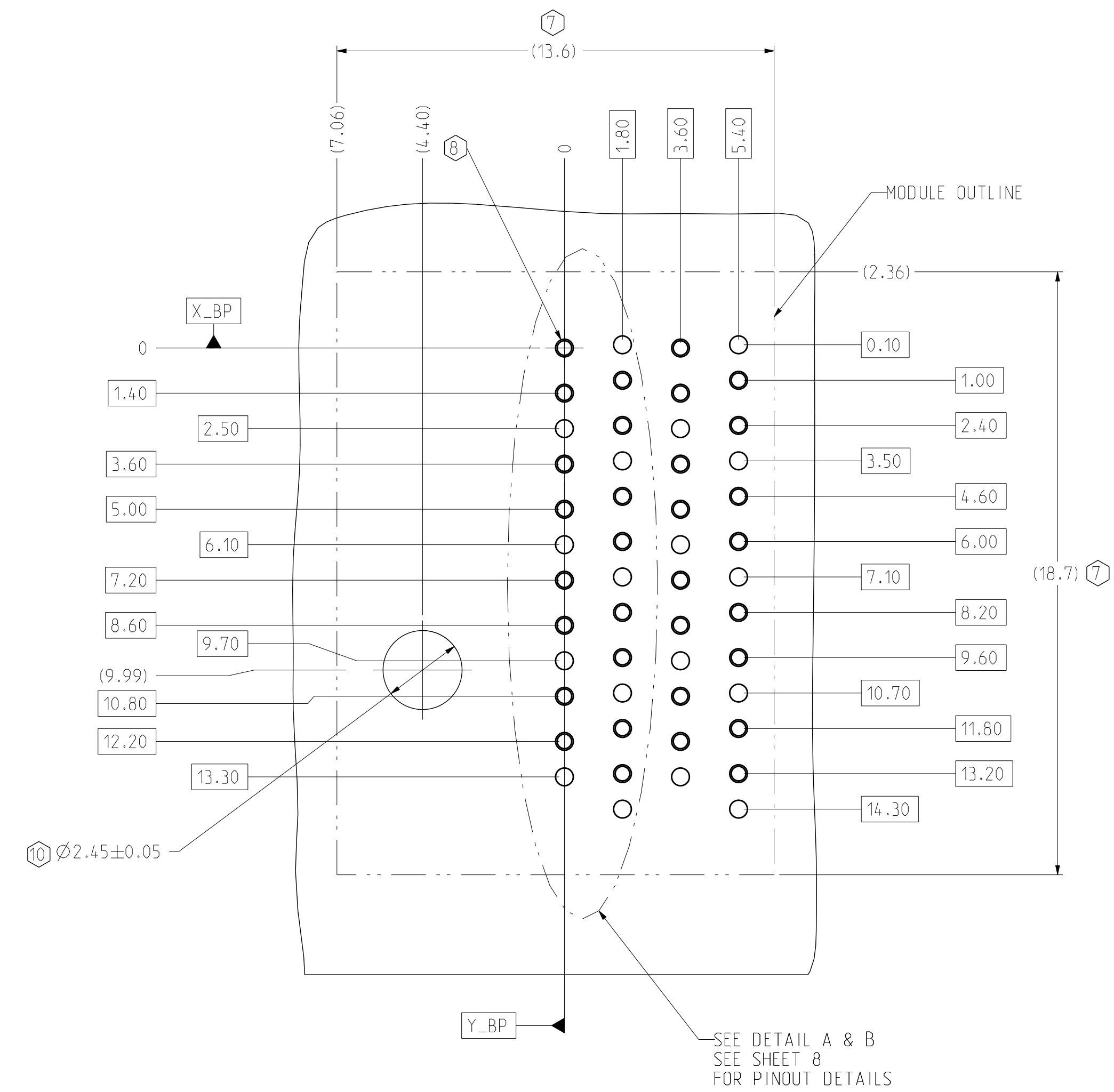
CONNECTOR REFERENCE SCALE 4/1



ISOMETRIC VIEW SCALE 3/1



SECTION Z-Z



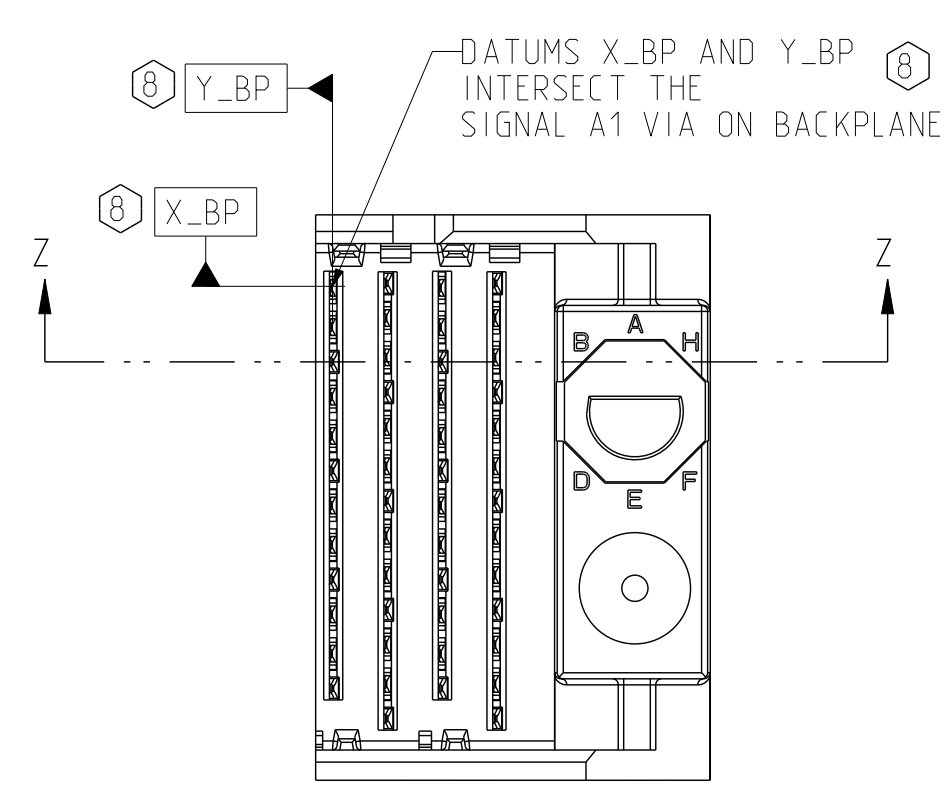
BP HOLE PATTERN COMPONENT SIDE SCALE 8/1

LEFT POLARIZING/GUIDE BACKPLANE FOOTPRINT

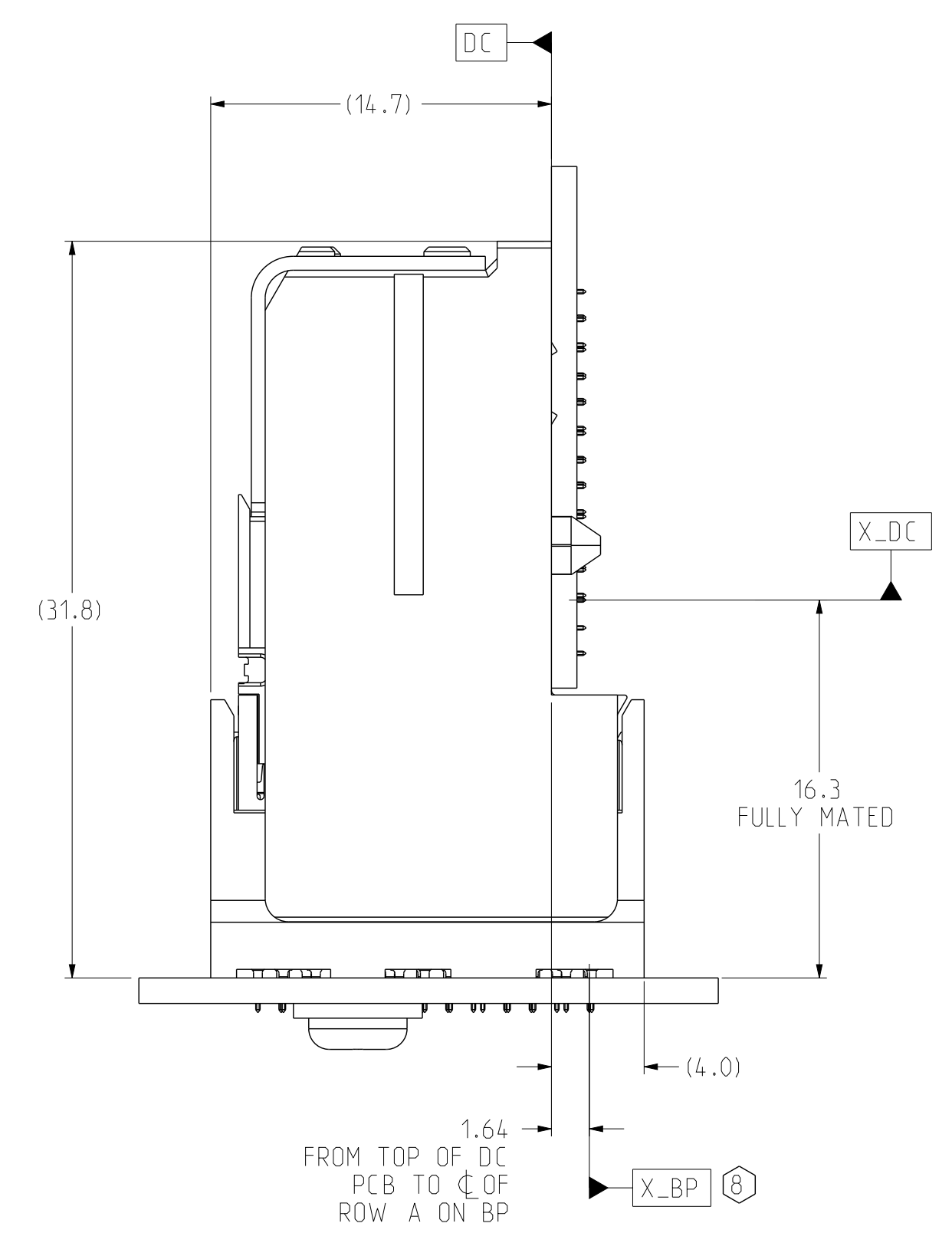
TOLERANCES		DESIGN 02/18/2010	Amphenol TCS A Division of Amphenol Corporation 200 Innovative Way, Nashua, NH 03062 603.879.3000 TITLE BACKPLANE MODULES, VERTICAL MALE HEADER Xcede HD, 4 PAIR 4 POSITION PART NO. SEE PN TREE SHEET 1 DRAWING NO. C-923-400J-500 ASSEM C-923-400J-500 DRAWING C-923-400J-500 SIZE D SCALE 1/1 SHEET 3 OF 8
0.0	±0.25	T.D.O	
0.00	±0.13	HCL-RK	
0.000	±	T.D.O	
ANGLES	± 3°	APVD 02/18/2010	REV N/A
UNLESS OTHERWISE SPECIFIED DIMENSIONS ARE IN MM. DECIMAL MARKER IS A PERIOD			REV F
CUSTOMER USE DRAWING			1.2 A.11

INTERPRET PER ASME Y14.5M
CODE IDENT 31413

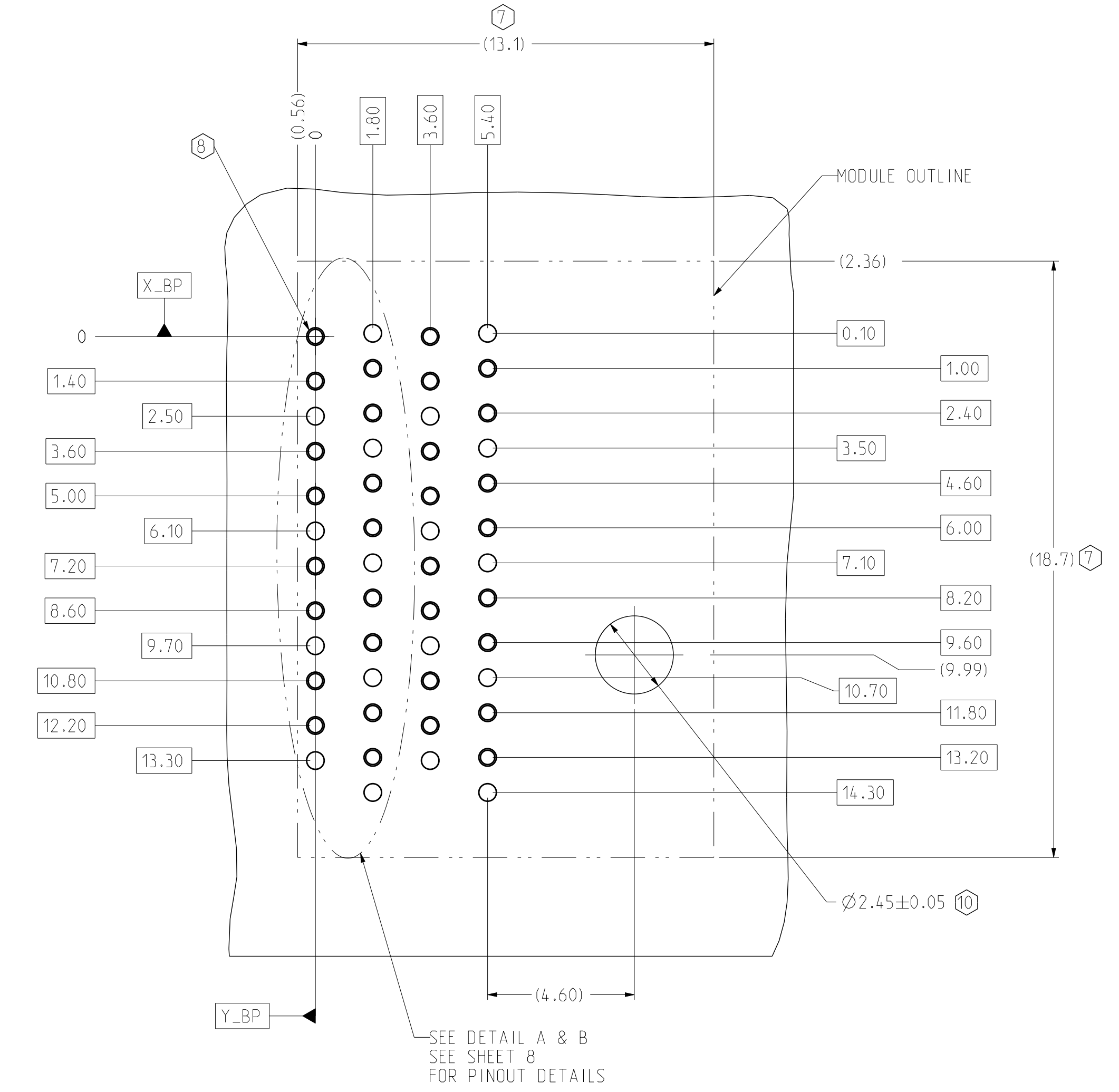
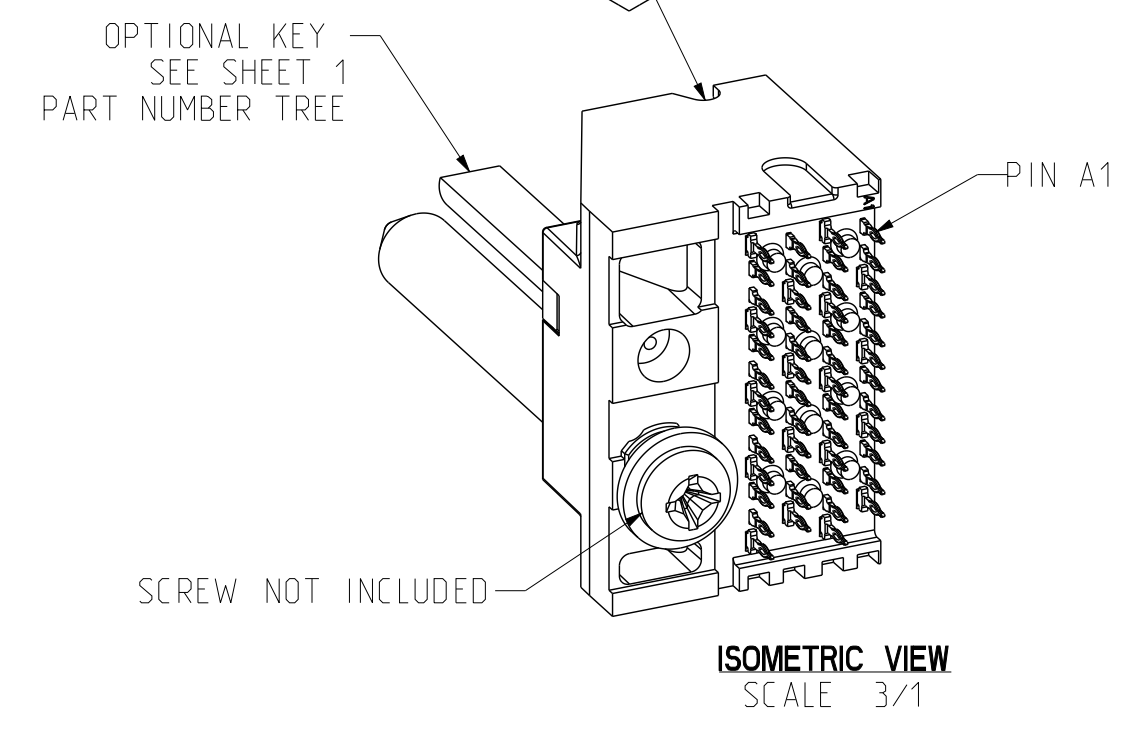
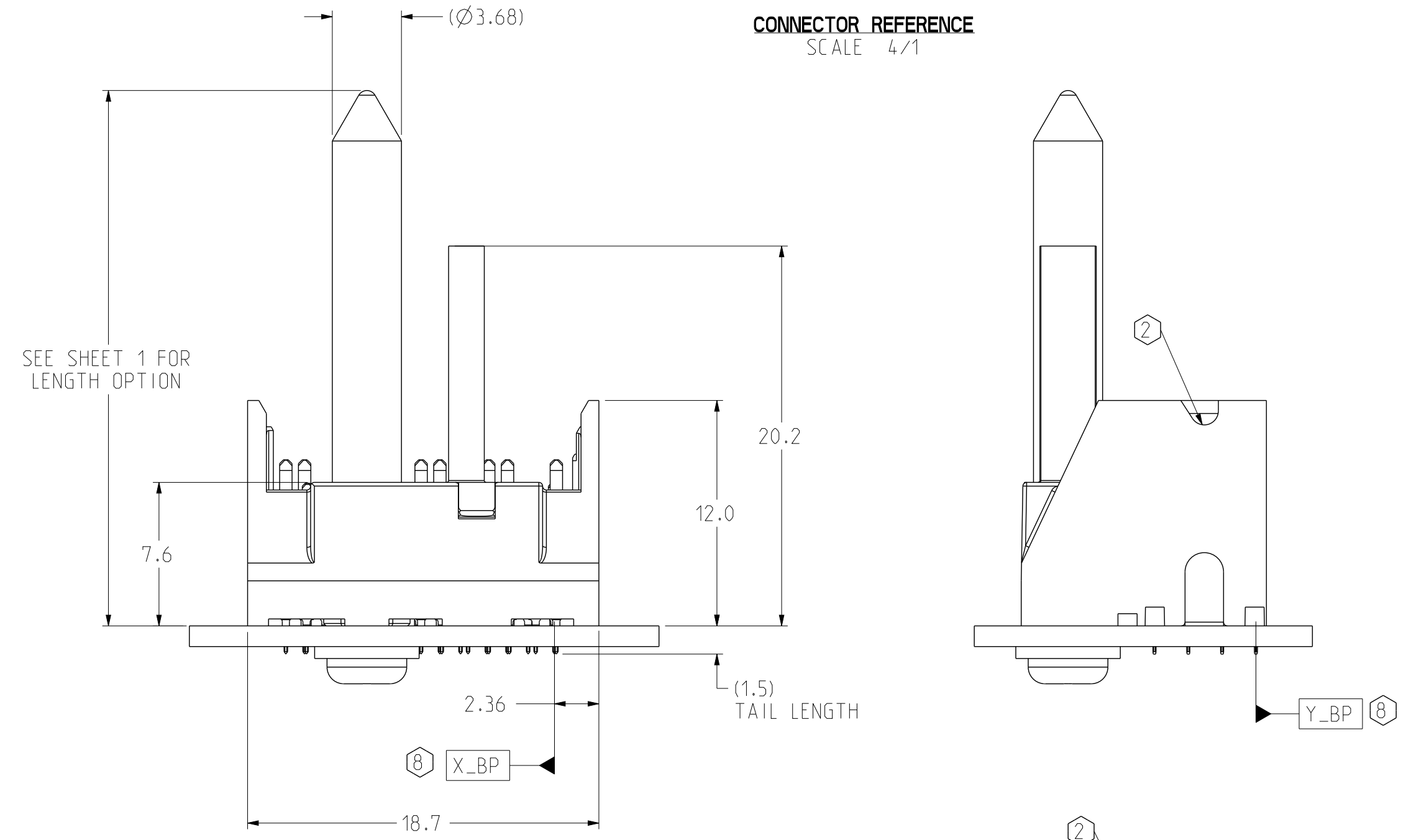
ZONE	REV	ECN NUMBER	DESCRIPTION	BY	DATE	APPROVED
			SEE SHEET 1			



RIGHT POLARIZING/GUIDE BACKPLANE MODULE DIMENSION



CONNECTOR REFERENCE SCALE 4/1



BP HOLE PATTERN COMPONENT SIDE SCALE 8/1

RIGHT POLARIZING/GUIDE BACKPLANE FOOTPRINT

TOLERANCES	DESIGN 02/18/2010	T.D.O
0.0	\pm 0.25	HCL-RK
0.00	\pm 0.13	T.D.O
0.000	\pm -	APVD 02/18/2010
ANGLES	\pm 3°	T.D.O

Amphenol TCS
A Division of Amphenol Corporation
200 Innovative Way, Nashua, NH 03082 603.879.3000

TITLE BACKPLANE MODULES, VERTICAL MALE HEADER
XCede HD, 4 PAIR 4 POSITION

PART NO. SEE PN TREE SHEET 1

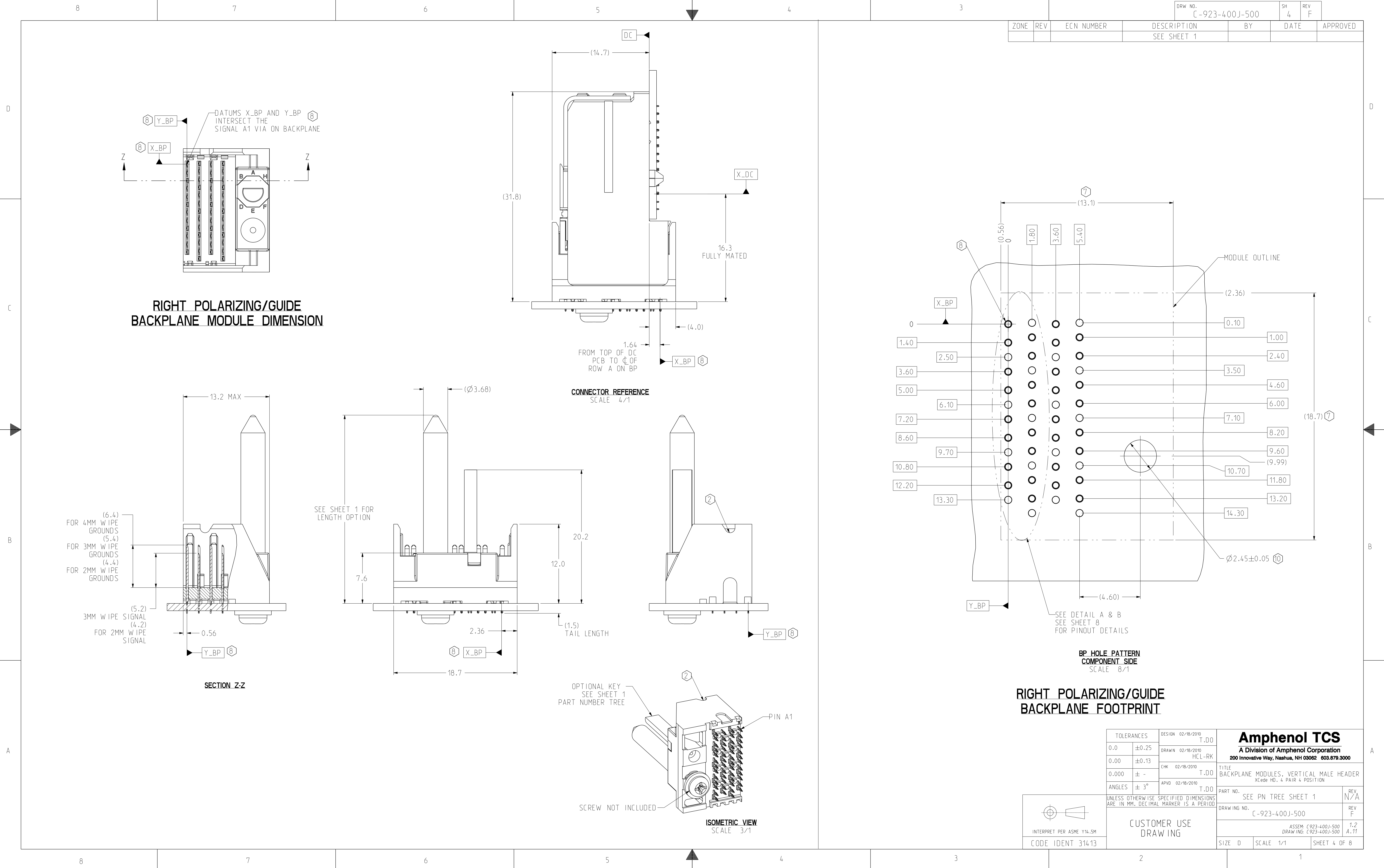
DRAWING NO. C-923-400J-500

ASSEM C-923-400J-500
DRAWING: C-923-400J-500

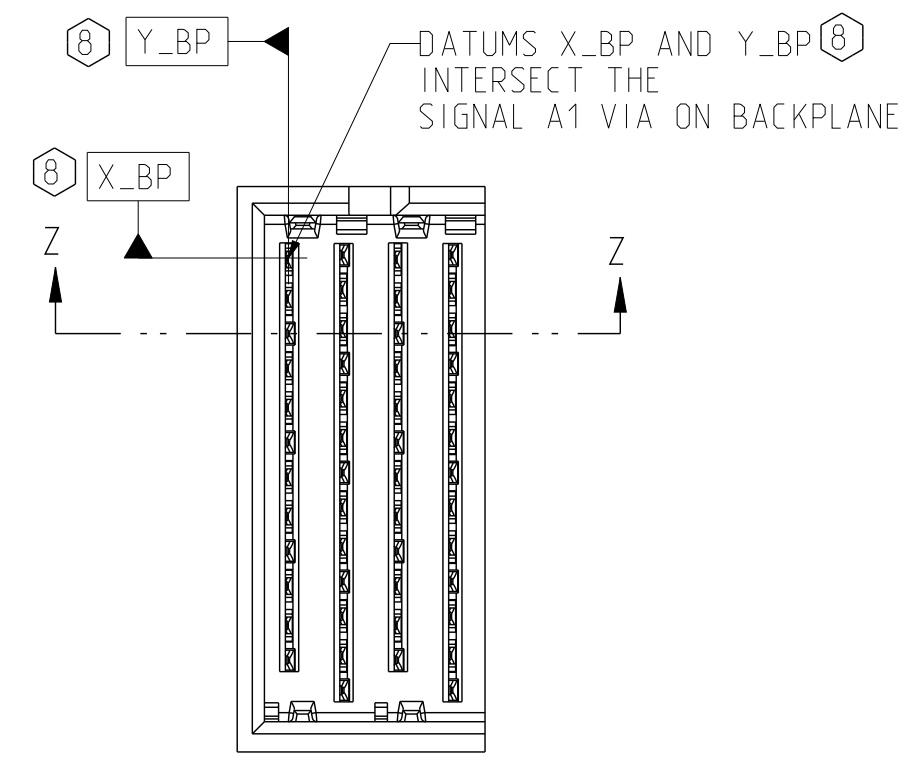
INTERPRET PER ASME Y14.5M
CODE IDENT 31413

CUSTOMER USE DRAWING

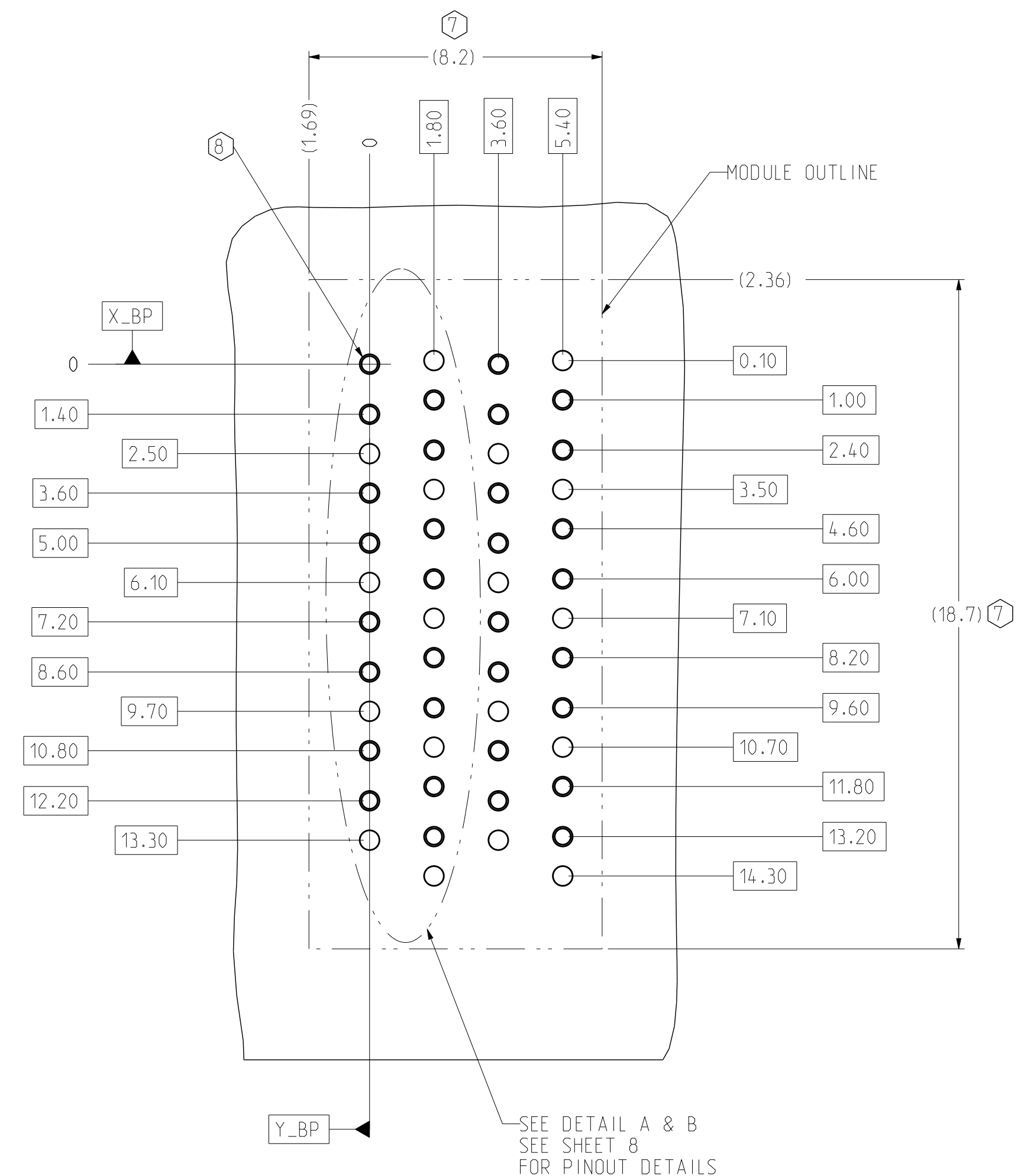
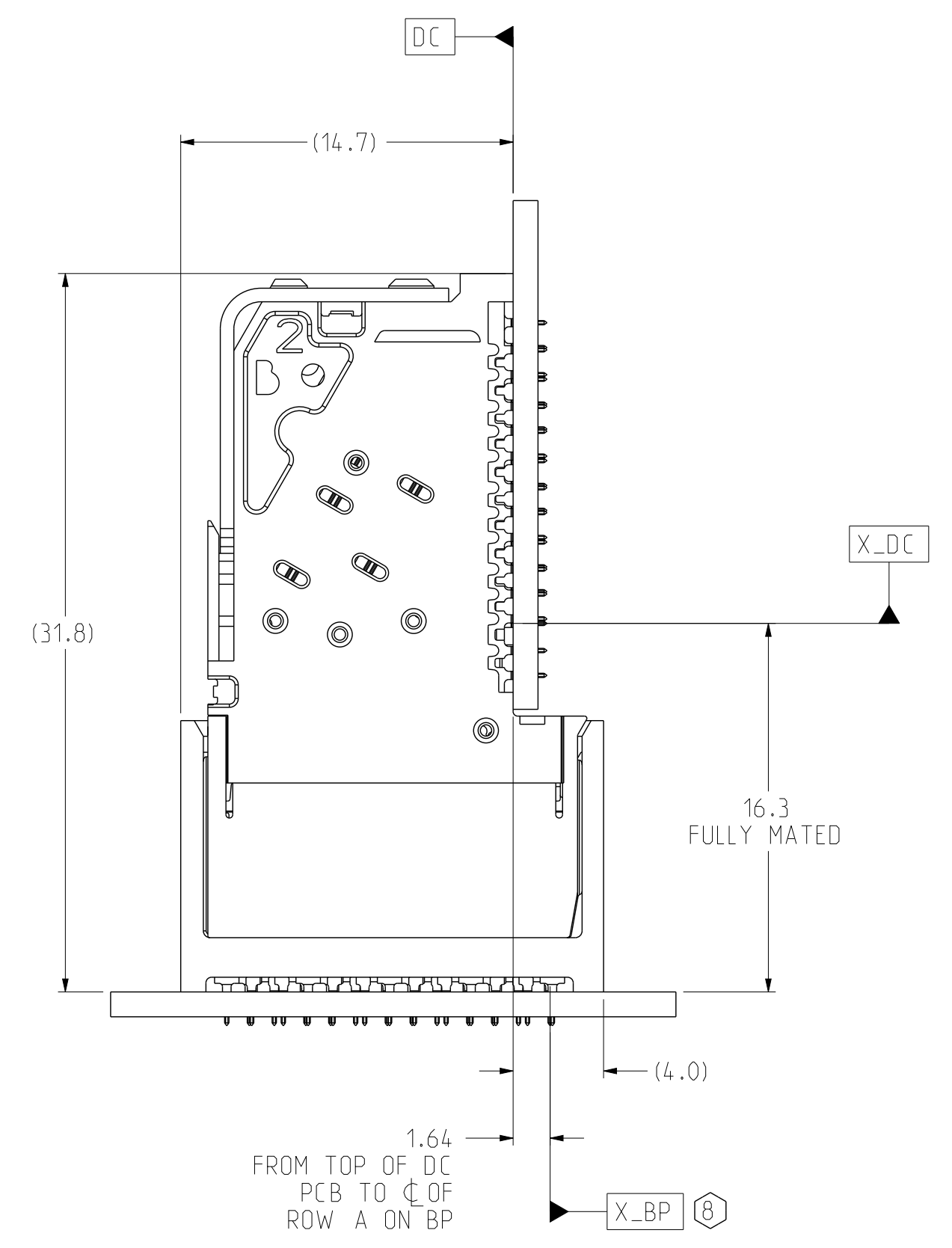
SIZE D SCALE 1/1 SHEET 4 OF 8



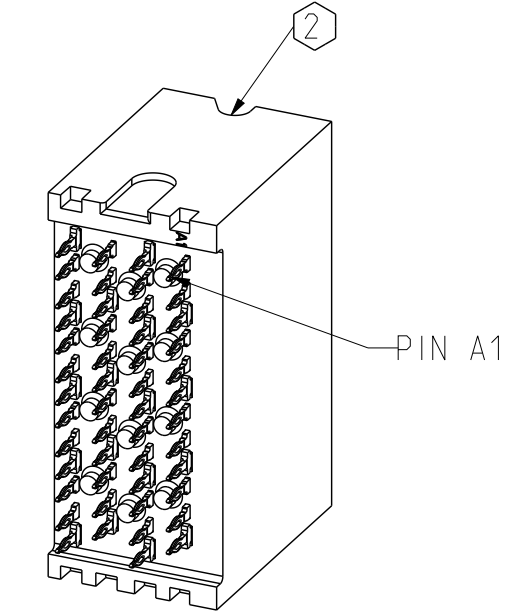
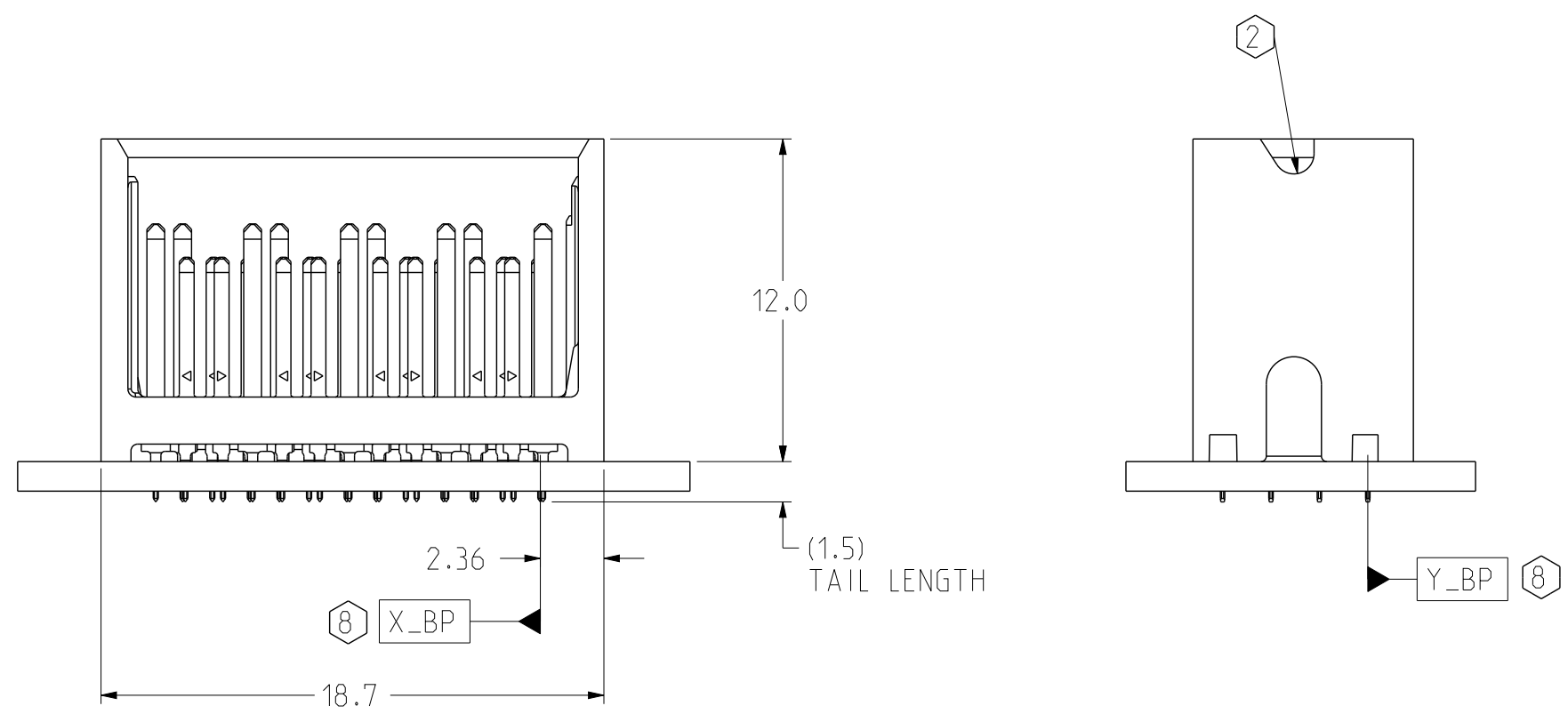
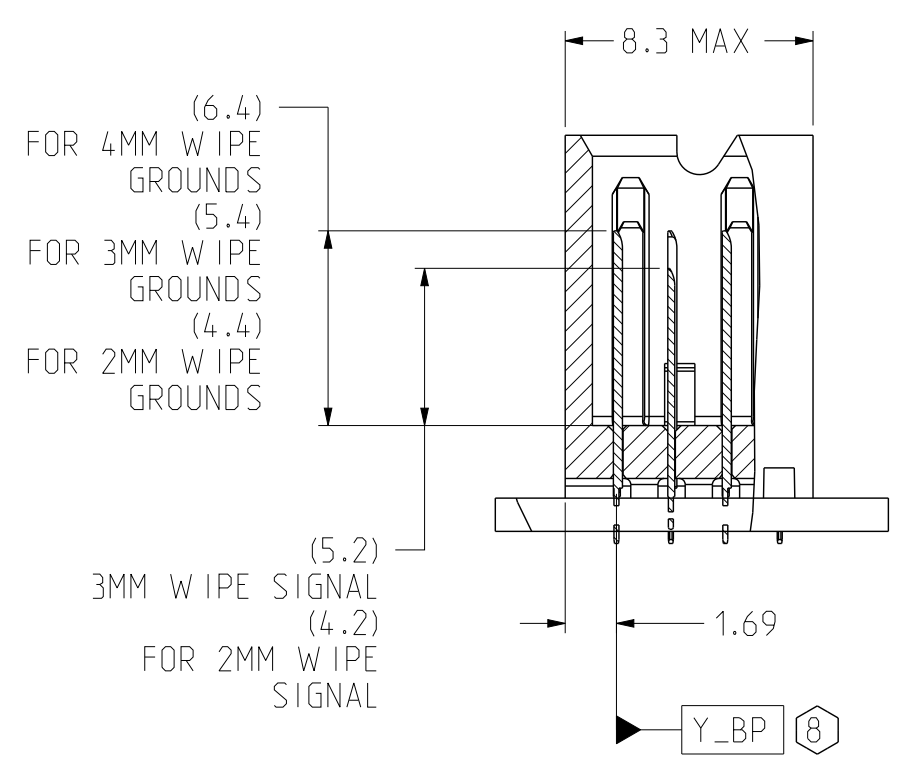
ZONE	REV	ECN NUMBER	DESCRIPTION	BY	DATE	APPROVED
			SEE SHEET 1			



LEFT WALL BACKPLANE MODULE DIMENSION

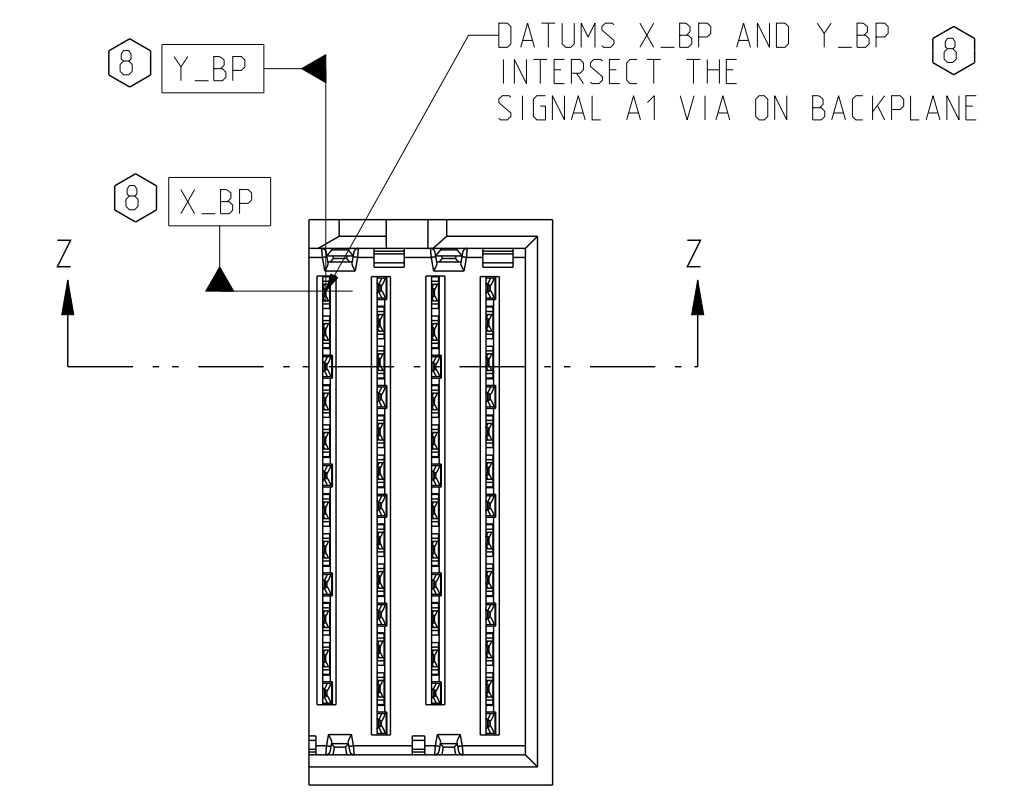


LEFT WALL BACKPLANE FOOTPRINT

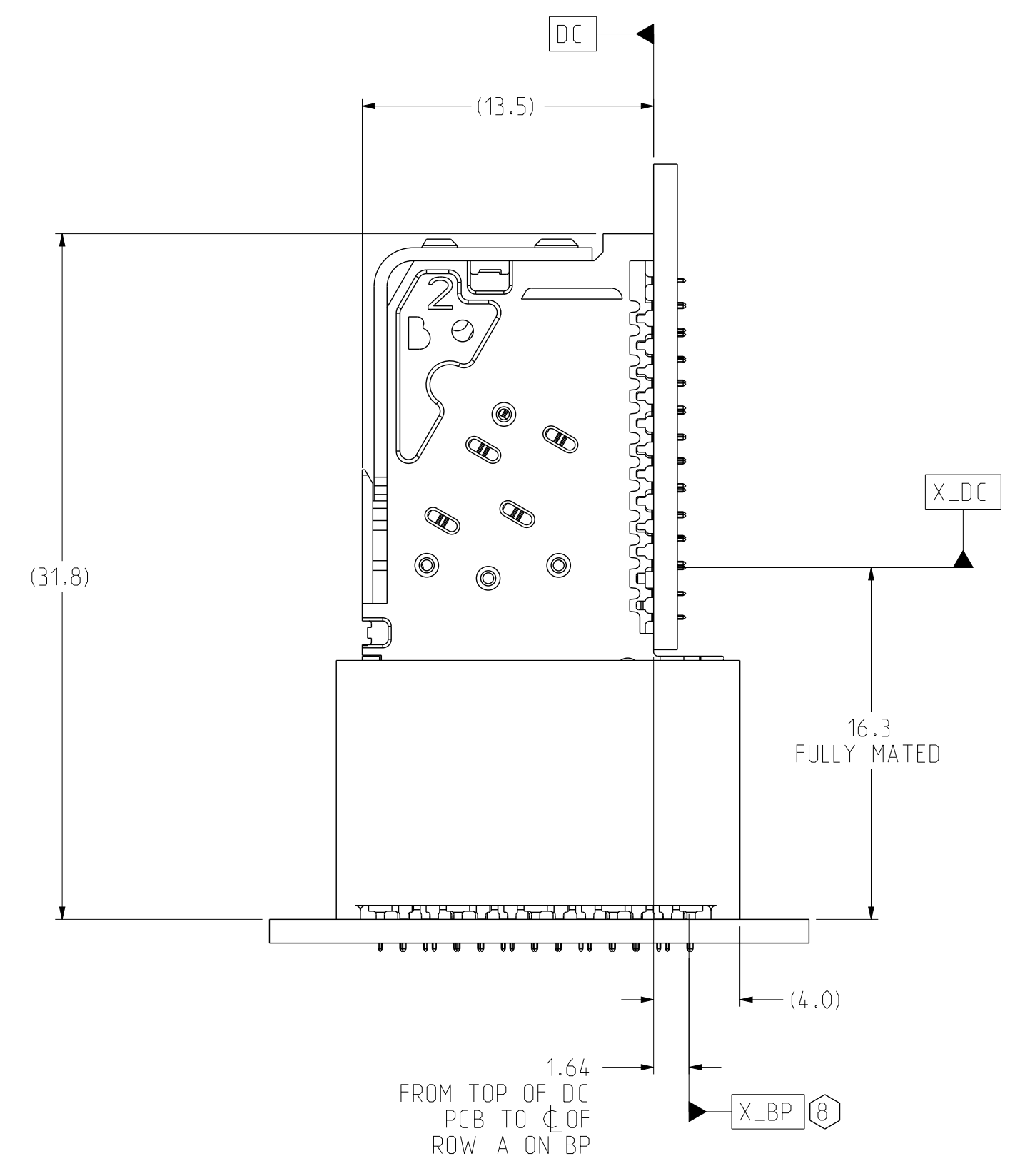


TOLERANCES		DESIGN 02/18/2010	Amphenol TCS A Division of Amphenol Corporation 200 Innovative Way, Nashua, NH 03062 603.879.3000
0.0	±0.25	T.DO	
0.00	±0.13	HCL-RK	
0.000	± -	T.DO	
ANGLES	± 3°	APVD 02/18/2010	TITLE BACKPLANE MODULES, VERTICAL MALE HEADER Xcede HD, 4 PAIR 4 POSITION
UNLESS OTHERWISE SPECIFIED DIMENSIONS ARE IN MM. DECIMAL MARKER IS A PERIOD			PART NO. SEE PN TREE SHEET 1
INTERPRET PER ASME Y14.5M CODE IDENT 31413			DRAWING NO. C-923-400J-500
CUSTOMER USE DRAWING			REV N/A F 1.2 A.11
SIZE D	SCALE 1/1	SHEET 5 OF 8	

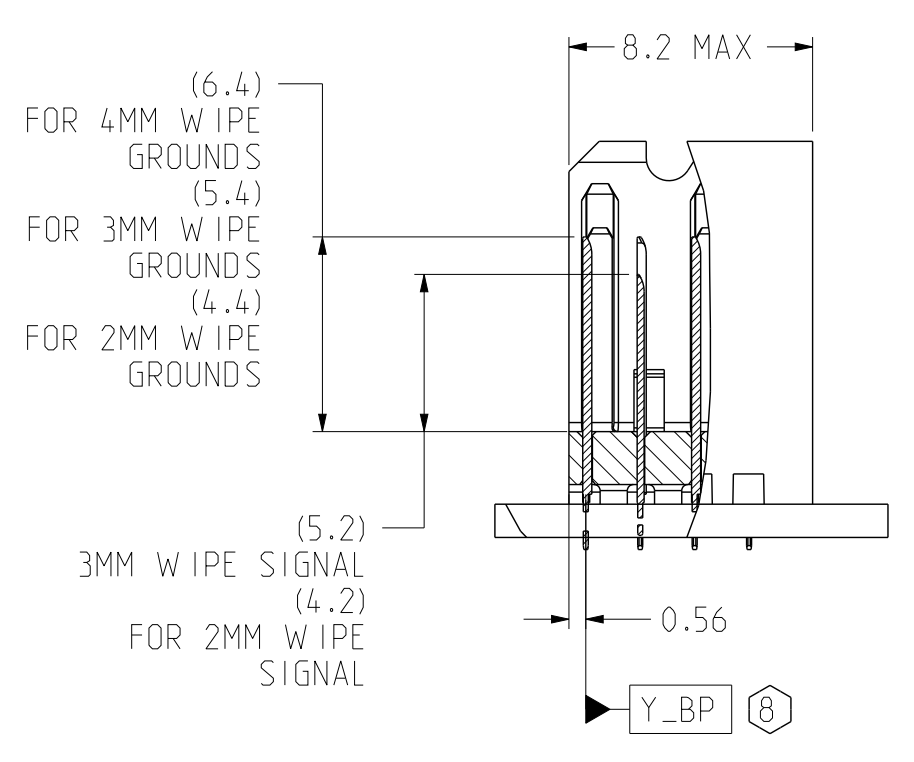
ZONE	REV	ECN NUMBER	DESCRIPTION	BY	DATE	APPROVED
			SEE SHEET 1			



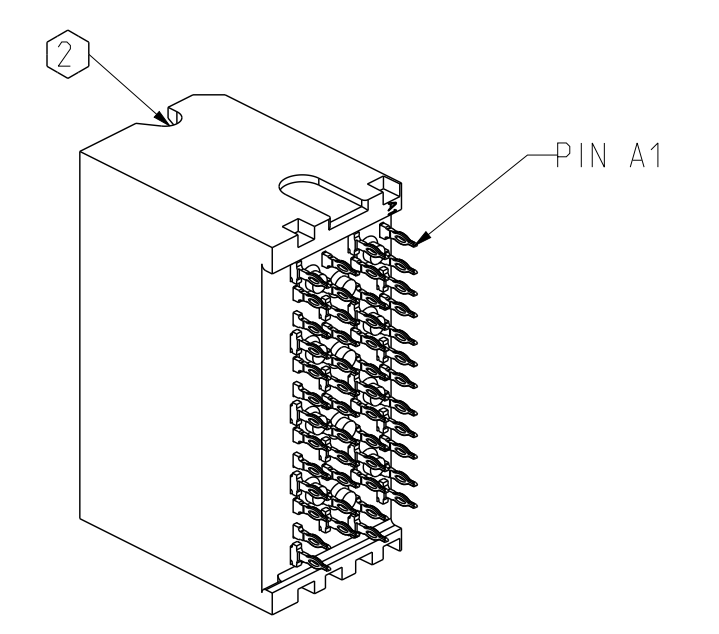
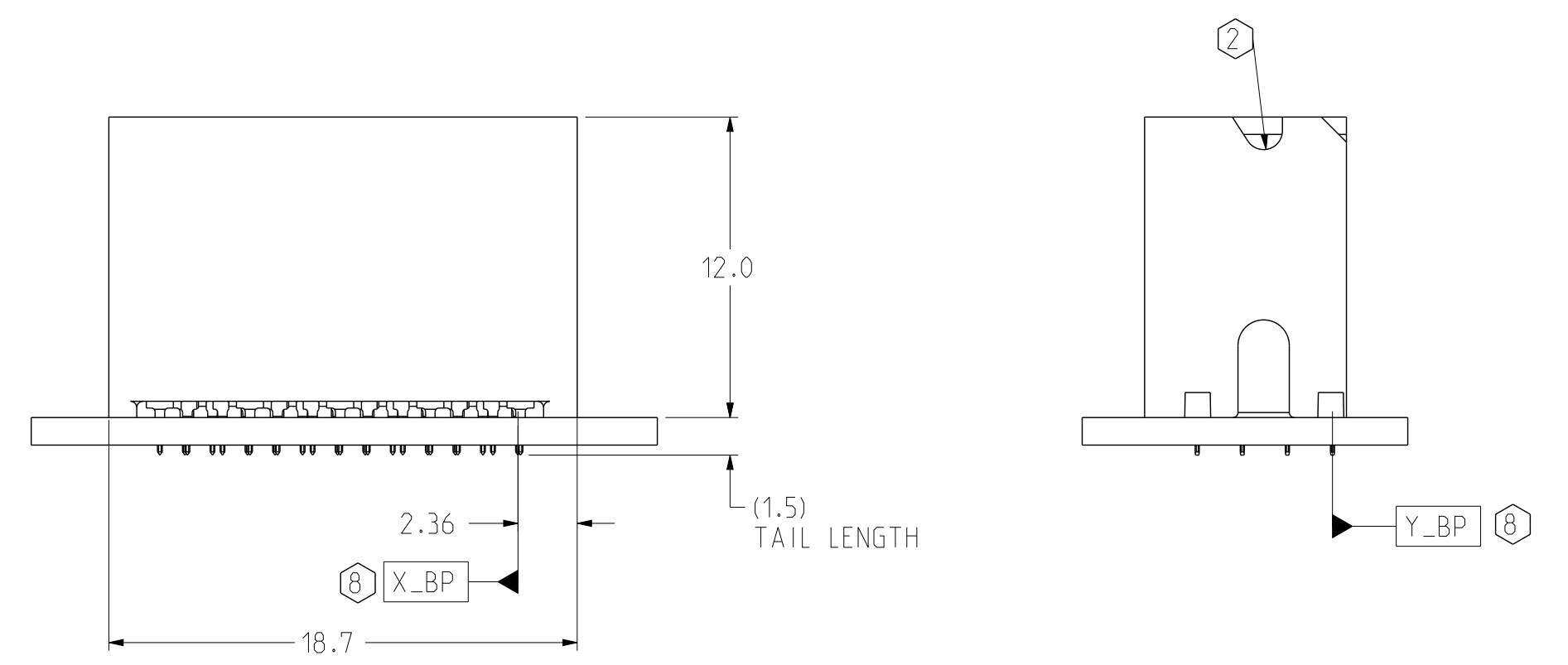
RIGHT WALL BACKPLANE MODULE DIMENSION



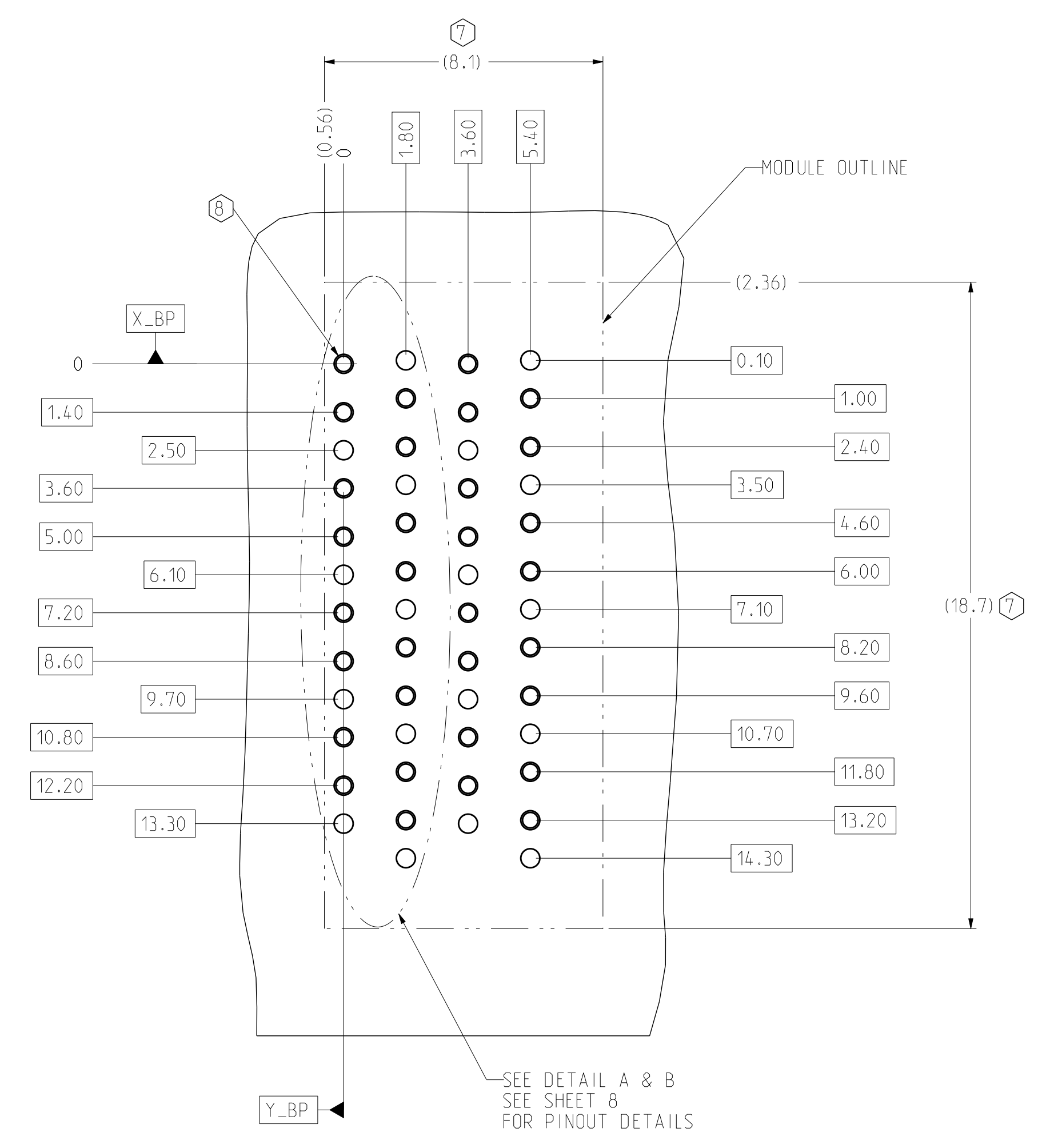
CONNECTOR REFERENCE
SCALE 4/1



SECTION Z-Z



ISOMETRIC VIEW
SCALE 3/1



BP HOLE PATTERN COMPONENT SIDE
SCALE 8/1

RIGHT WALL BACKPLANE FOOTPRINT

TOLERANCES	DESIGN	02/18/2010
0.0	± 0.25	T.DO
0.00	± 0.13	HCL-RK
0.000	\pm	T.DO
ANGLES	$\pm 3^\circ$	APVD

Amphenol TCS
 A Division of Amphenol Corporation
 200 Innovative Way, Nashua, NH 03062 603.879.3000

TITLE BACKPLANE MODULES, VERTICAL MALE HEADER
 Xcede HD, 4 PAIR 4 POSITION

PART NO. SEE PN TREE SHEET 1
 REV N/A

DRAWING NO. C-923-400J-500
 REV F

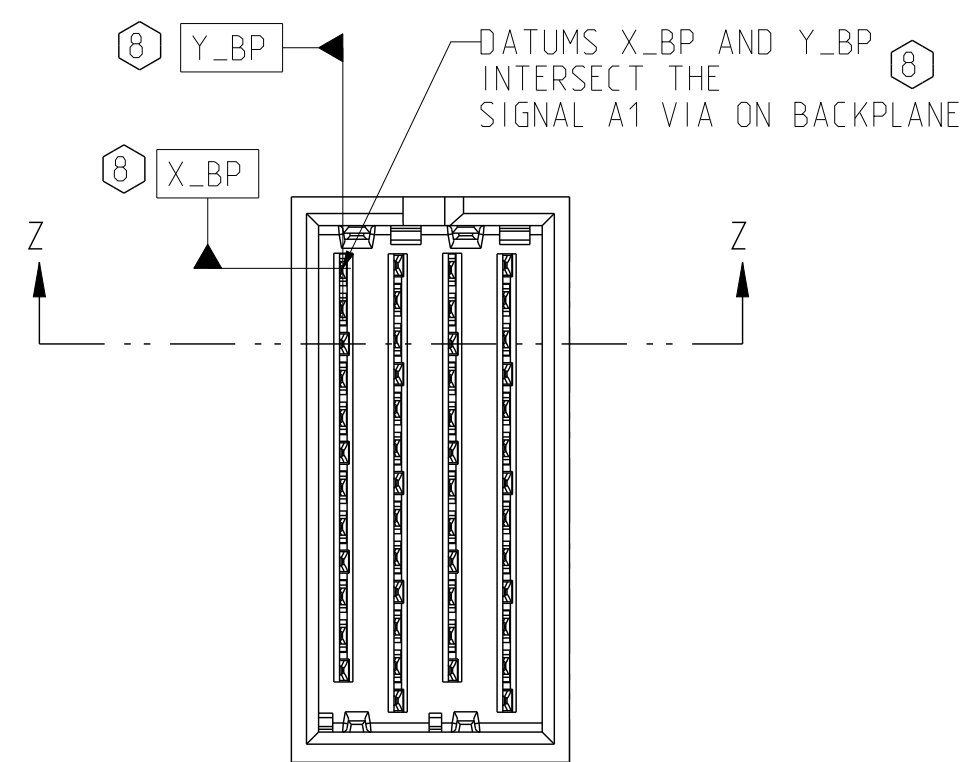
ASSEM C-923-400J-500
 DRAWING C-923-400J-500
 1.2 A.11

SIZE D SCALE 1/1 SHEET 6 OF 8

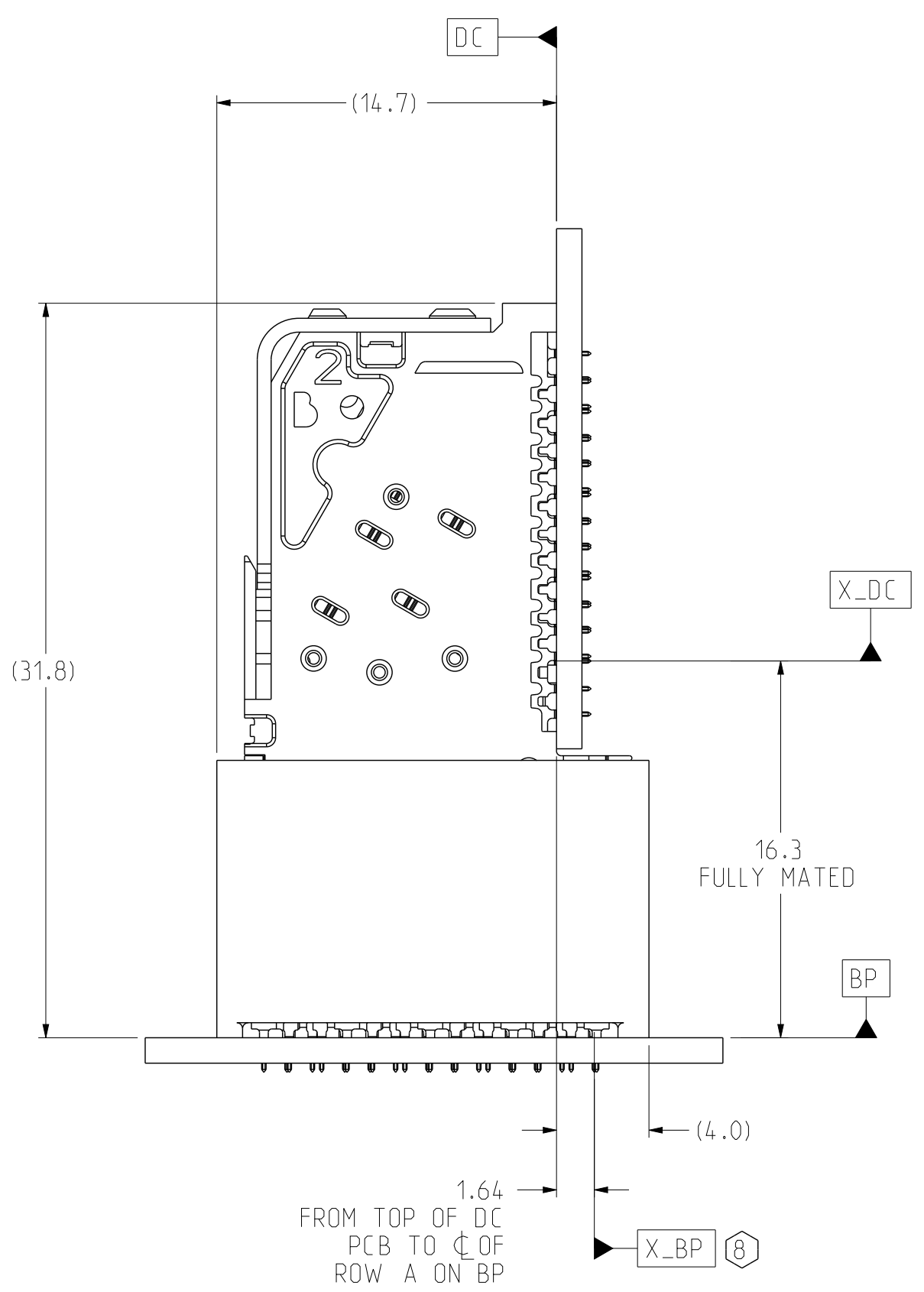
INTERPRET PER ASME Y14.5M
 CODE IDENT 31413

CUSTOMER USE
 DRAWING

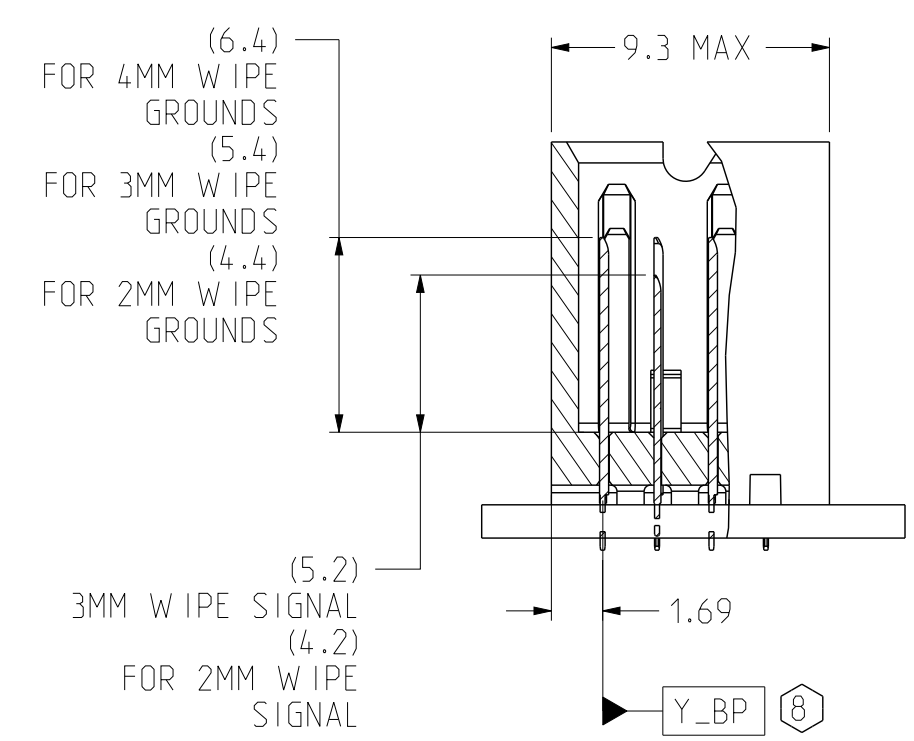
ZONE	REV	ECN NUMBER	DESCRIPTION	BY	DATE	APPROVED
			SEE SHEET 1			



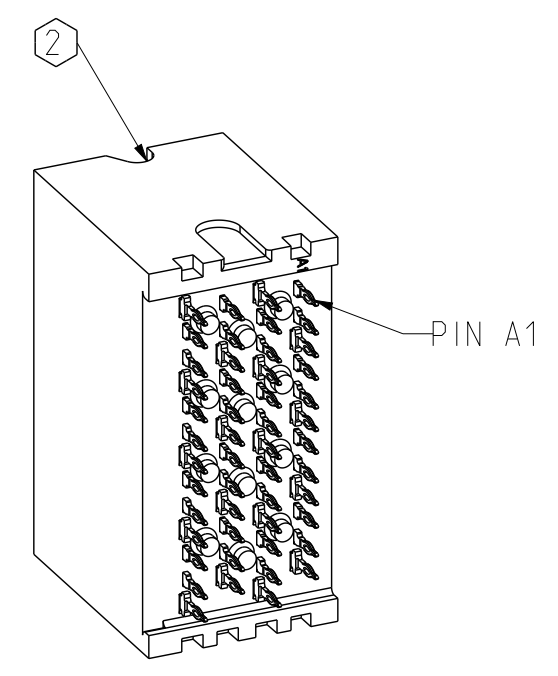
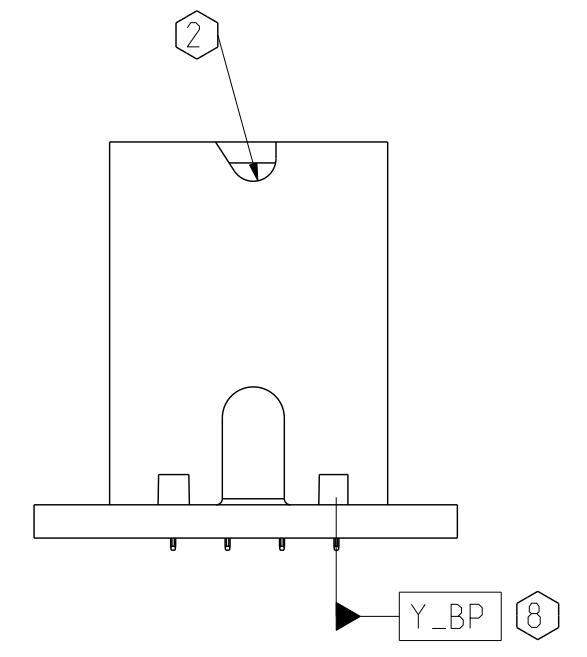
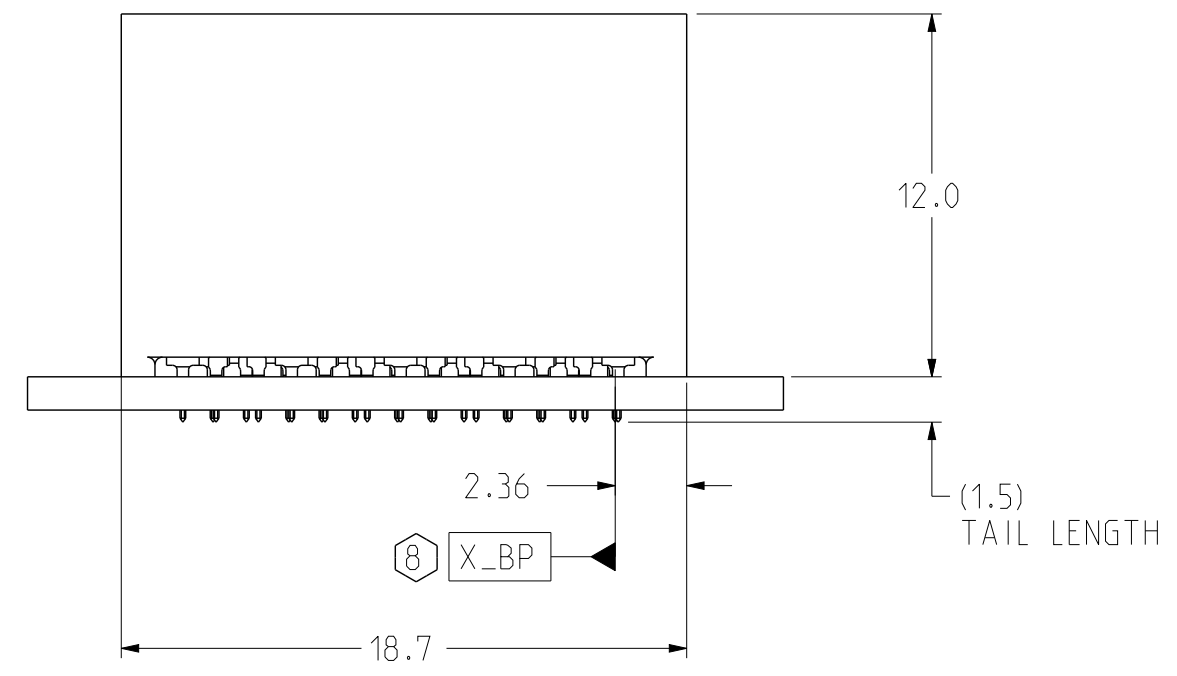
TWO WALL BACKPLANE MODULE DIMENSION



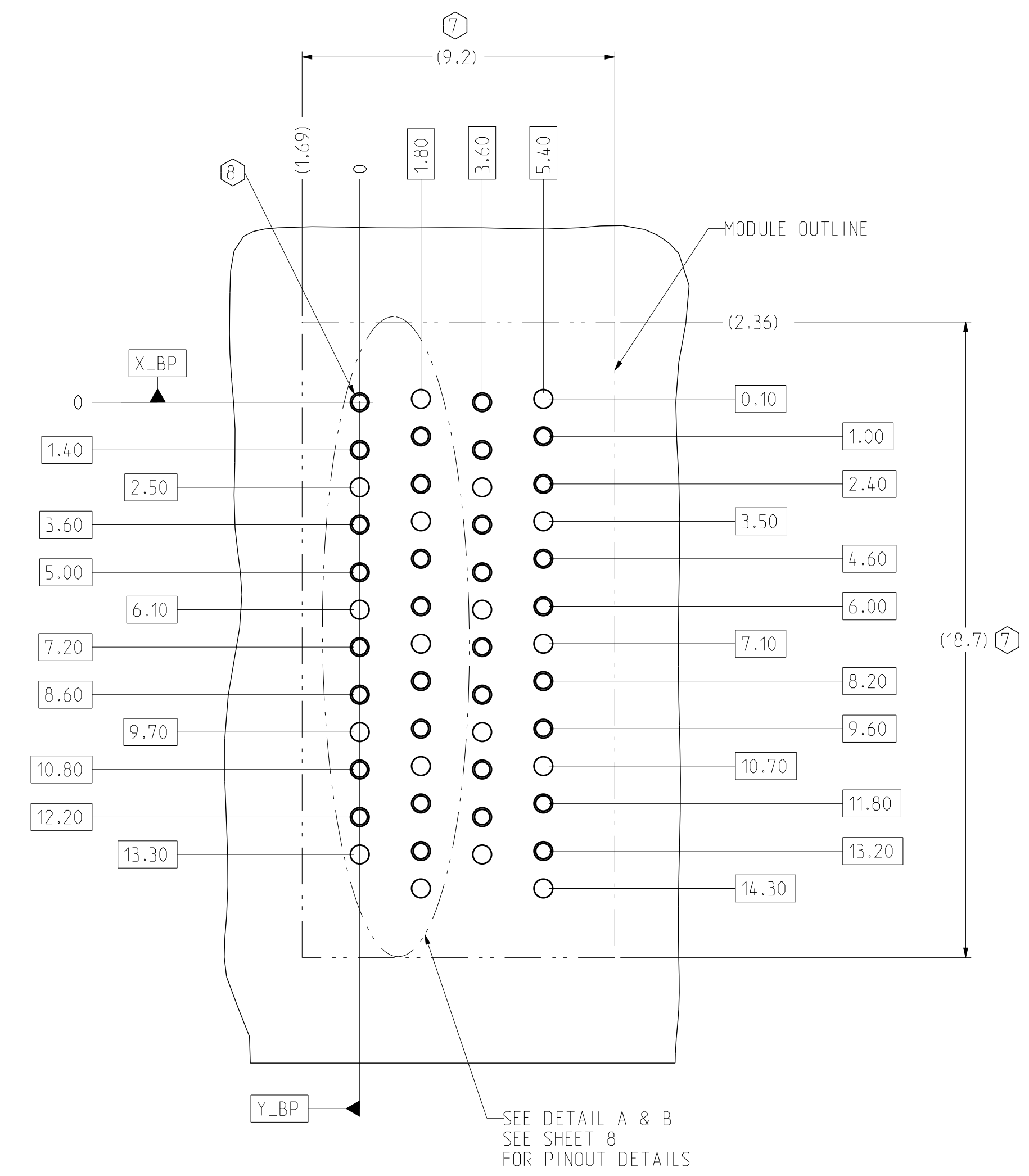
CONNECTOR REFERENCE SCALE 4/1



SECTION Z-Z



ISOMETRIC VIEW SCALE 3/1



BP HOLE PATTERN COMPONENT SIDE SCALE 8/1

TWO WALL BACKPLANE FOOTPRINT

TOLERANCES	DESIGN 02/18/2010	T.D.O
0.0	±0.25	T.D.O
0.00	±0.13	HCL-RK
0.000	± -	T.D.O
ANGLES	± 3°	T.D.O

Amphenol TCS
A Division of Amphenol Corporation
200 Innovative Way, Nashua, NH 03062 603.879.3000

TITLE BACKPLANE MODULES, VERTICAL MALE HEADER
XCede HD, 4 PAIR 4 POSITION

PART NO. SEE PN TREE SHEET 1
REV N/A

DRAWING NO. C-923-400J-500
REV F

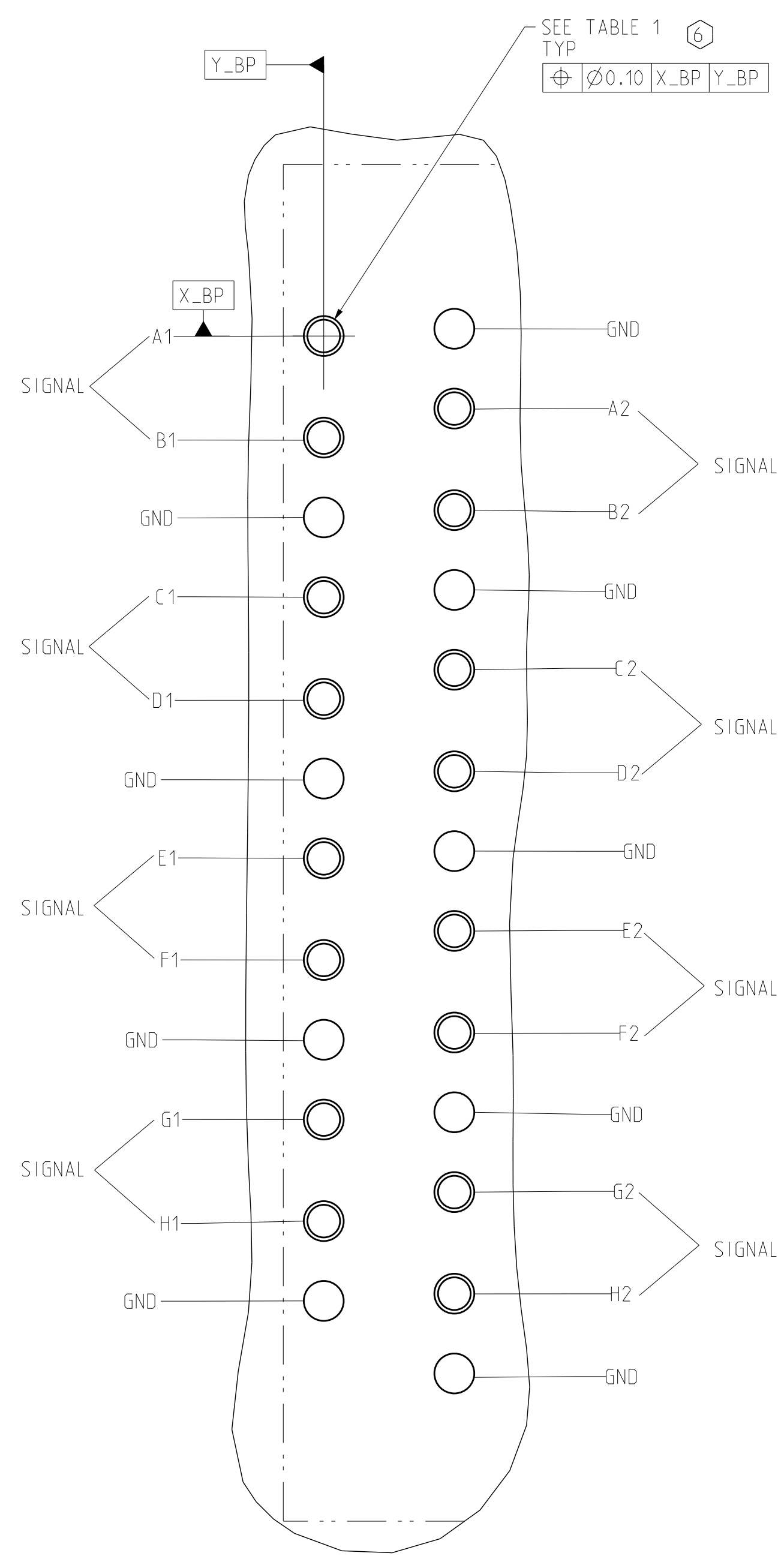
ASSEM C-923-400J-500
DRAWING C-923-400J-500
1.2 A.11

INTERPRET PER ASME Y14.5M
CODE IDENT 31413

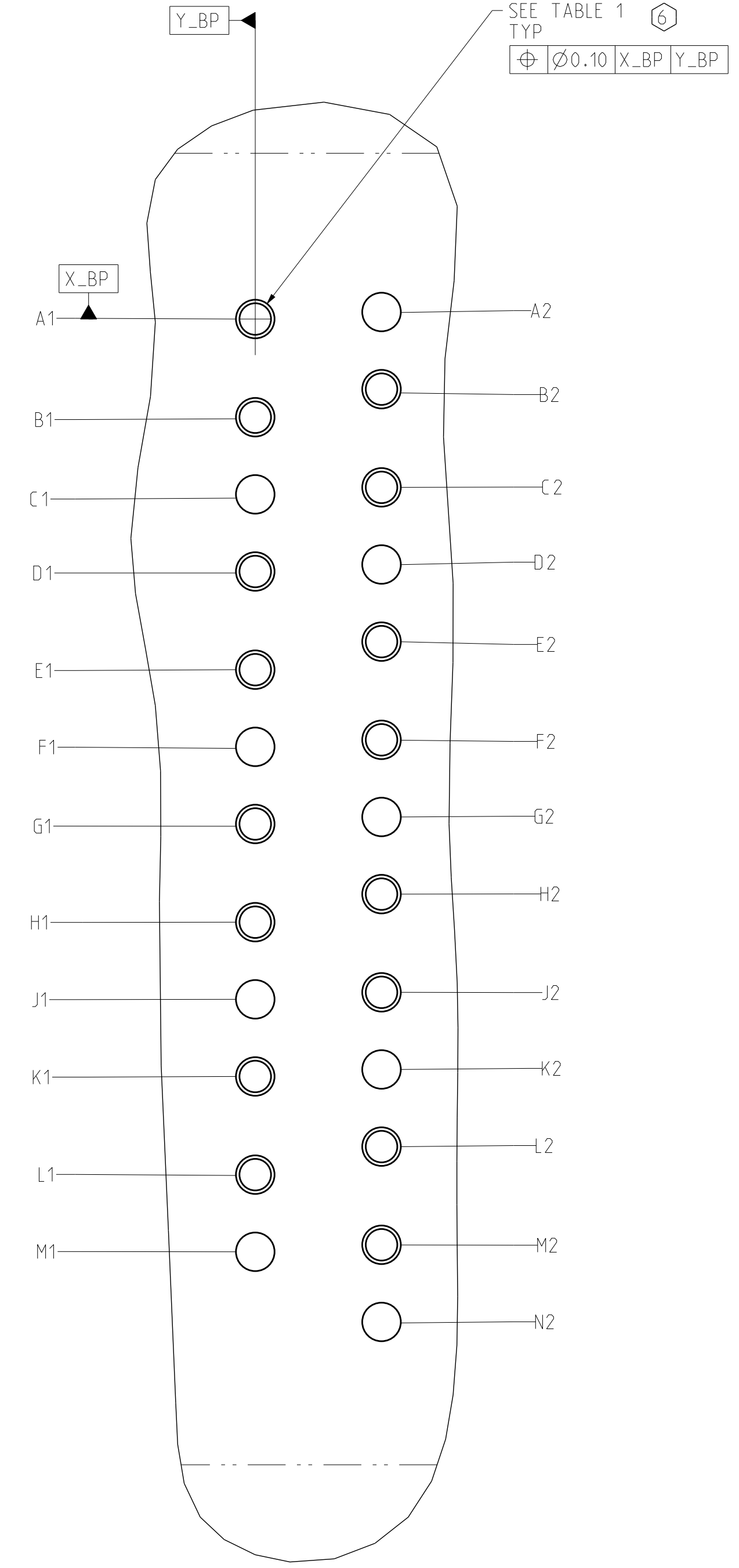
CUSTOMER USE DRAWING

SIZE D SCALE 1/1 SHEET 7 OF 8

ZONE	REV	ECN NUMBER	DESCRIPTION	BY	DATE	APPROVED
			SEE SHEET 1			



DETAIL A
HSD PINOUTS
 SCALE 16/1



DETAIL B
LC PINOUTS
 SCALE 16/1

TABLE 1

	COMPLIANT PIN DRILL $\varnothing .0217''$	COMPLIANT PIN DRILL $\varnothing .0177''$
PTH	$\varnothing 0.45 \pm 0.05$	$\varnothing 0.36 \pm 0.05$
DRILL	$\varnothing 0.55 [.0217'']$	$\varnothing 0.45 [.0177'']$
PAD	$\varnothing 0.85$	$\varnothing 0.75$

TOLERANCES	DESIGN 02/18/2010 T.DO	Amphenol TCS A Division of Amphenol Corporation 200 Innovative Way, Nashua, NH 03082 603.879.3000 TITLE BACKPLANE MODULES, VERTICAL MALE HEADER Xcede HD, 4 PAIR 4 POSITION
0.0 ±0.25	DRAWN 02/18/2010 HCL-RK	
0.00 ±0.13	CHK 02/18/2010 T.DO	
0.000 ± -	APVD 02/18/2010 T.DO	
ANGLES ± 3°	UNLESS OTHERWISE SPECIFIED DIMENSIONS ARE IN MM. DECIMAL MARKER IS A PERIOD.	
INTERPRET PER ASME Y14.5M CODE IDENT 31413		PART NO. SEE PN TREE SHEET 1 DRAWING NO. C-923-400J-500 ASSEM C-923-400J-500 DRAWING C-923-400J-500
CUSTOMER USE DRAWING		REV N/A REV F 1.2 A.11 SIZE D SCALE 1/1 SHEET 8 OF 8