

# Terminal Block

## 5.0mm Pitch

multicomp<sup>PRO</sup>

RoHS  
Compliant



### Features

- Universal connection method to ensure a high degree of flexibility in device design
- Multi-layer wire connection can achieve higher contact density
- Different poles can be combined through the side lock

### Specifications

Conductor cross section solid	: 0.5mm <sup>2</sup> to 1.5mm <sup>2</sup>
Conductor cross section flexible	: 0.5mm <sup>2</sup> to 1.5mm <sup>2</sup>
AWG	: 26AWG to 14AWG
Torque	: 0.5N.m
Strip length	: 6mm

#### Electrical parameters UL

Rated voltage (B)	: 300V
Rated voltage (D)	: 300V
Rated current (B)	: 12A
Rated current (D)	: 10A

#### Electrical parameters IEC

Rated current	: 250V / 15A
Rated current(III/2)	: 250V
Rated surge voltage(III/2)	: 2KV

#### Item properties

Type of installation	: PCB welding
Pin arrangement	: Double-row in a straight line
Connection method	: Screw connection
Screwdriver	: Slotted screwdriver
Screw thread	: M3
Pitch	: 5mm

#### Material data

Contact material	: Copper alloy
Contact point metal surface	: Tin-plated
Insulation Materials	: PA66

#### Environmental data

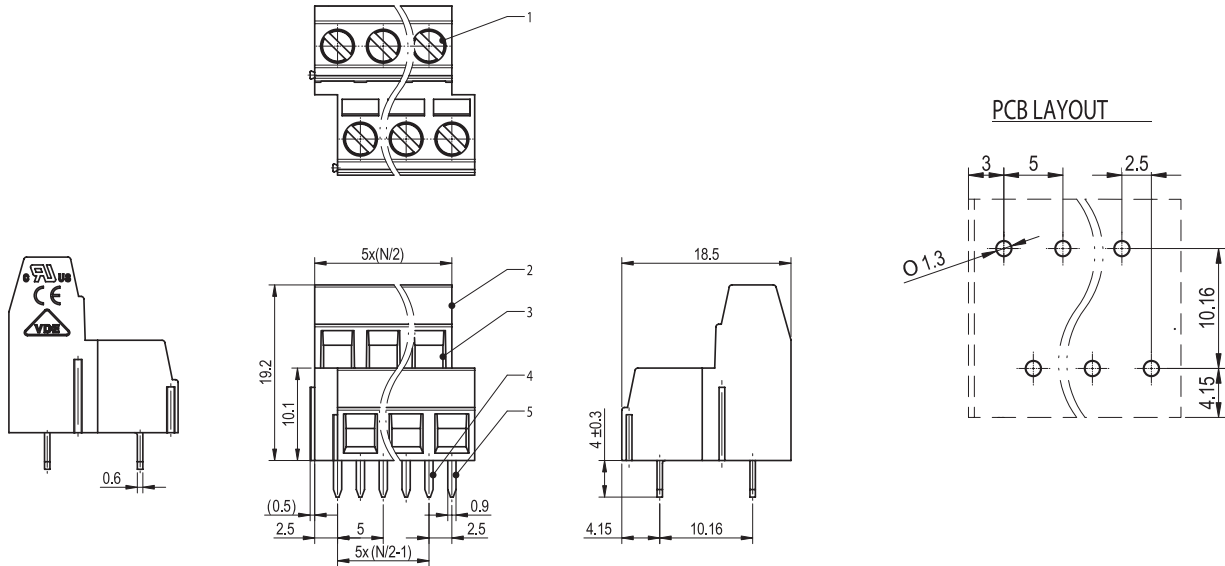
Ambient temperature (operation)	: -40°C to +105°C
---------------------------------	-------------------

Newark.com/multicomp-pro  
Farnell.com/multicomp-pro  
sg.element14.com/b/multicomp-pro

multicomp<sup>PRO</sup>

# Terminal Block 5.0mm Pitch

## Diagram



No	Part Name	Material	Notes
1	Screw	Steel	M3/Zn Plated
2	Housing	PA66	UL94V-0
3	Cage	Copper alloy	M3/Ni Plated
4	Pin header 1		Sn Plated
5	Pin header 2		

## Part Number Table

Description	No. of Ways	Part Number
Terminal Block, PCB, Screw	4	MP012072
	6	MP012073
	8	MP012074
	10	MP012075
	12	MP012076
	14	MP012077
	16	MP012078
	18	MP012079
	22	MP012080

Dimensions : Millimetres

**Important Notice :** This data sheet and its contents (the "Information") belong to the members of the AVNET group of companies (the "Group") or are licensed to it. No licence is granted for the use of it other than for information purposes in connection with the products to which it relates. No licence of any intellectual property rights is granted. The Information is subject to change without notice and replaces all data sheets previously supplied. The Information supplied is believed to be accurate but the Group assumes no responsibility for its accuracy or completeness, any error in or omission from it or for any use made of it. Users of this data sheet should check for themselves the Information and the suitability of the products for their purpose and not make any assumptions based on information included or omitted. Liability for loss or damage resulting from any reliance on the Information or use of it (including liability resulting from negligence or where the Group was aware of the possibility of such loss or damage arising) is excluded. This will not operate to limit or restrict the Group's liability for death or personal injury resulting from its negligence. Multicomp Pro is the registered trademark of Premier Farnell Limited 2019.