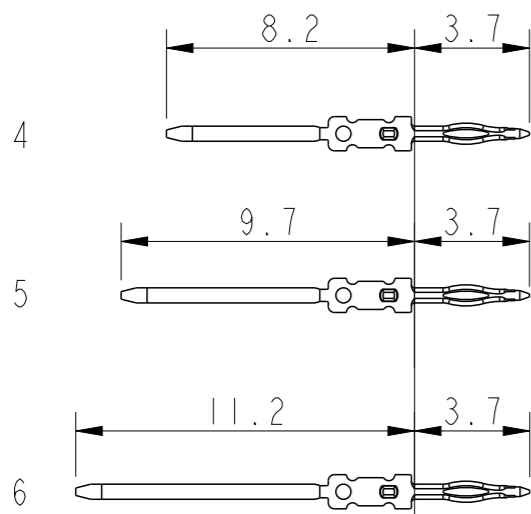
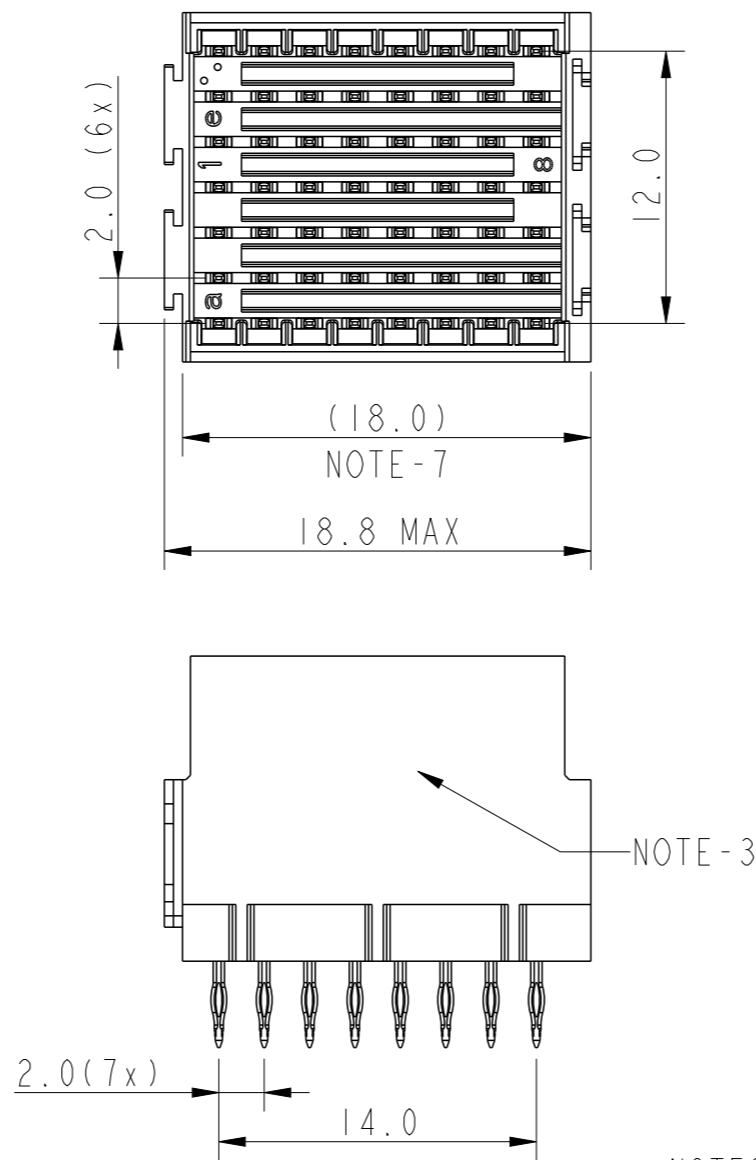


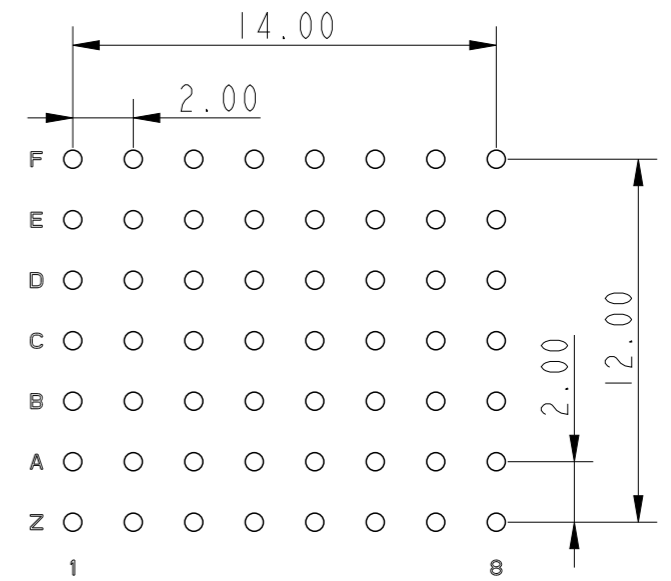
CONTACT OVERVIEW



SEATING PLANE FOR CONNECTOR



PCB LAYOUT COMPONENT SIDE



ROW Z & F NOT REQUIRED FOR NON SHIELDED CONNECTORS.

10164739-x0xLF



NOTES :

1. MEASURED AT THE BOTTOM
2. MATERIALS
HOUSING : THERMOPLASTIC (UL94 V-0)
CONTACT : COPPER ALLOY
3. FOR CONNECTOR PRINTED WITH P/N AND DATE CODE.
4. FOR CONTACT LOADINGS,SEE LOADING PATTERN MATING SIDE.
5. THIS PRODUCT MEETS EUROPEAN UNION DIRECTIVES AND OTHER COUNTRY REGULATIONS AS DESCRIBED IN GS-47-0004
6. FOR RECOMMENDED PTH DIMENSIONS REFER DRAWING:BS,A,201572,001
7. PITCH FOR SCALING

spec ref	dr	Aswin T-S	2023/02/17	projection	MM	size	A3	scale	1:1
tolerance std	eng	Aswin T-S	2023/02/17			ecn no	rel level	Released	rev
ISO 406 ISO 1101	chr	-	-						
surface	linear	0.X	±0.2		MILLIPACS VHDR TYPE B8 SCALABLE	dwg no	10164739	Product - Customer Drw	sheet 1 of 2
		0.XX	±0.1						
ISO 1302	angular	0°±1°	±°	cat. no.	-				

A

B

C

D

A

B

C

D

10164739-x01LF								
f	0	0	0	0	0	0	0	
e	4	4	4	4	4	4	4	
d	4	4	4	4	4	4	4	
c	4	4	4	4	4	4	4	
b	4	4	4	4	4	4	4	
a	4	4	4	4	4	4	4	
z	0	0	0	0	0	0	0	
01								08

10164739-x02LF								
f	6	6	6	6	6	6	6	
e	4	4	4	4	4	4	4	
d	4	4	4	4	4	4	4	
c	4	4	4	4	4	4	4	
b	4	4	4	4	4	4	4	
a	4	4	4	4	4	4	4	
z	6	6	6	6	6	6	6	
01								08

10164739-x03LF								
f	0	0	0	0	0	0	0	
e	5	5	5	5	5	5	5	
d	5	5	5	5	5	5	5	
c	5	5	5	5	5	5	5	
b	5	5	5	5	5	5	5	
a	5	5	5	5	5	5	5	
z	0	0	0	0	0	0	0	
01								08

10164739-x04LF								
f	6	6	6	6	6	6	6	
e	5	5	5	5	5	5	5	
d	5	5	5	5	5	5	5	
c	5	5	5	5	5	5	5	
b	5	5	5	5	5	5	5	
a	5	5	5	5	5	5	5	
z	6	6	6	6	6	6	6	
01								08

spec ref	dr	Aswin T-S	2023/02/17	projection	MM	size	A3	scale	3:1
tolerance std	eng	Aswin T-S	2023/02/17		← →	ecn no		rel level	
ISO 406 ISO 1101	chr	-	-			MILLIPACS		Released	
surface	linear	0.X	±0.2	Amphenol FCI	MILLIPACS VHDR TYPE B8 SCALABLE	dwg no	10164739	rev	A
		0.XX	±0.1						
		0.XXX	±						
ISO 1302	angular	0°±1°	±°	cat. no.	-	Product - Customer Drw		sheet 2 of 2	

Amphenol FCI

© 2020 Amphenol Corporation