

USB 3.1 Cable Assembly

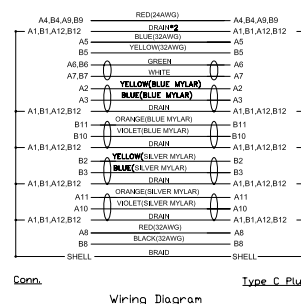
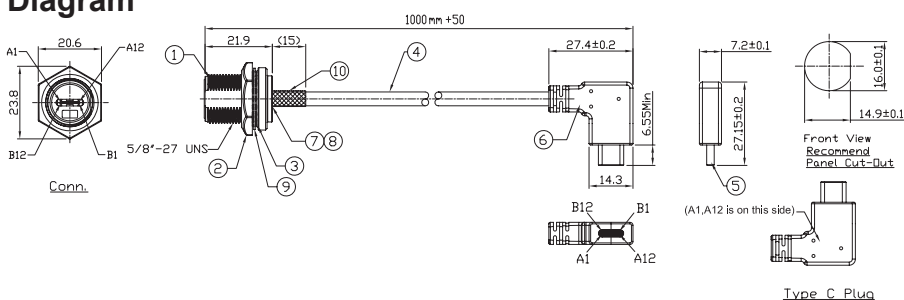
multicomp^{PRO}

Specifications

| | |
|---------------------------------|--|
| Current Rating | : 5A |
| AWG Gauge | : 26 AWG / 32 AWG |
| Temperature Range | : -40°C to +85°C |
| Insulation Resistance | : DC100V ±10%, test for 1 minute and the insulation resistance should be more than 5MΩ |
| Dielectric Withstanding Voltage | : 100V DC/AC peak, contact-to-contact, for 1min. |
| Contact Resistance | : 30mΩ at 10mA Max. |
| Waterproof Rate | : IP68 |
| Recommend Panel Thickness | : 0.8mm to 6mm |
| Recommend Torque | : 19 to 20 Kgf-cm |

RoHS Compliant

Diagram



| No. | Part Name | Material / Finish | Qty. | |
|-----|--------------------|---|------|---|
| 1 | Housing | Zn Alloy; Finish: Ni Plated | 1 | |
| 2 | Hex Nut | Zn Alloy; Finish: Ni Plated | | |
| 3 | O-ring | Silicone; Colour: Red | | |
| 4 | Cable | UL21572 (1P/32#+EAM)×4+(1P/32#+A)+(4C/32#)+(1C/24#)+2EAB 85% OD: 4.8mm; Black TPE Jacket | | |
| 5 | USB Type C 3.1 | Housing: Thermoplastic, Colour: Black | | |
| | | Contacts: Copper Alloy, Finish: Au Plated | | |
| | | Shell: Stainless Steel, Finish: Au Plated | | |
| 6 | Over Mold | PVC; Colour: Black | | |
| 7 | Glue | Epoxy; Colour: Black | | - |
| 8 | EMI Shielded Plate | Copper Alloy; Finish: Ni Plated | | 1 |
| 9 | Metal Washer | Sus; Finish:- | | |
| 10 | Shrink Tube | L=20mm, Heat Shrink Tube with Adhesive Lined; Colour: Black | | |

Part Number Table

| Description | Part Number |
|---|-------------|
| USB Type C Metal C2 Jack Screw with Type C Plug Right Angle, 1m | MP011932 |

Dimensions : Millimetres

Important Notice : This data sheet and its contents (the "Information") belong to the members of the AVNET group of companies (the "Group") or are licensed to it. No licence is granted for the use of it other than for information purposes in connection with the products to which it relates. No licence of any intellectual property rights is granted. The Information is subject to change without notice and replaces all data sheets previously supplied. The Information supplied is believed to be accurate but the Group assumes no responsibility for its accuracy or completeness, any error in or omission from it or for any use made of it. Users of this data sheet should check for themselves the Information and the suitability of the products for their purpose and not make any assumptions based on information included or omitted. Liability for loss or damage resulting from any reliance on the Information or use of it (including liability resulting from negligence or where the Group was aware of the possibility of such loss or damage arising) is excluded. This will not operate to limit or restrict the Group's liability for death or personal injury resulting from its negligence. Multicomp Pro is the registered trademark of Premier Farnell Limited 2019.

Newark.com/multicomp-pro
Farnell.com/multicomp-pro
sg.element14.com/b/multicomp-pro

multicomp^{PRO}