

# 722 Series

## Electromechanical Hour Meter



The Model 722 provides an AC Hour Meter with an operating range of 90-264VAC 50/60 Hz. You no longer require two separate meters, one for 115VAC and one for 230VAC. Models are available in the standard industry housings, 2-Hole Rectangular, Flush-Rectangular, Flush-Round, Square and 3-Hole Round. Its quartz time base insures accurate long-term time keeping. The totally sealed case protects against the environment and provides years of reliable service. All models are IP66 and NEMA 4X,12 rated when mounted with optional gasket.

### Key Features

- Operating voltage 90-264VAC 50/60Hz
- Totally Sealed
- UL/cUL Recognized, CE & RoHS Compliant
- 6 Figure, 99999.9
- Quartz accuracy
- Options include:
  - Wire leads
  - Gasket kit (for IP66 and NEMA 4X, 12 rating)
  - Custom lens
  - Terminals up, down, straight

### Applications

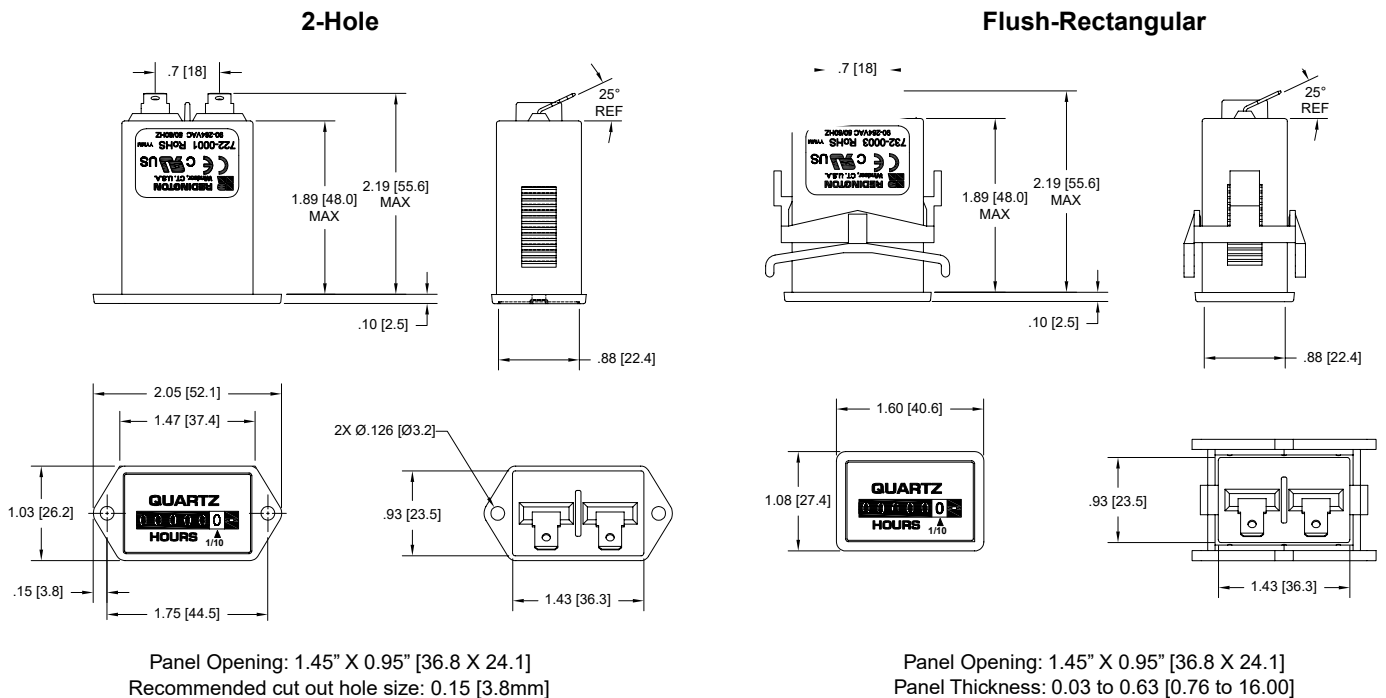
- Medical Equipment
- Control Panels
- Office Equipment
- Test Equipment
- Generators

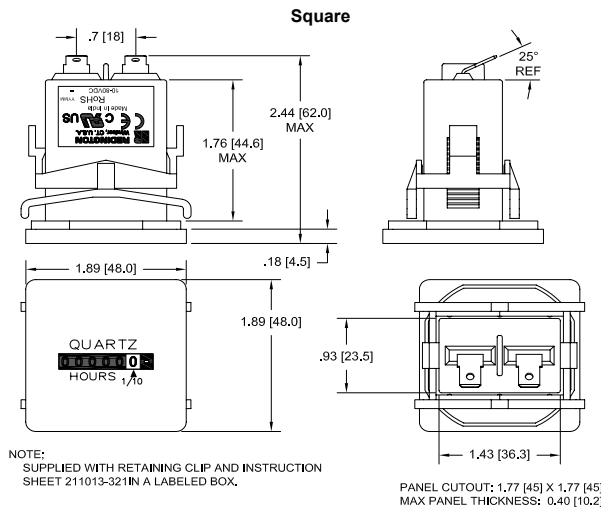
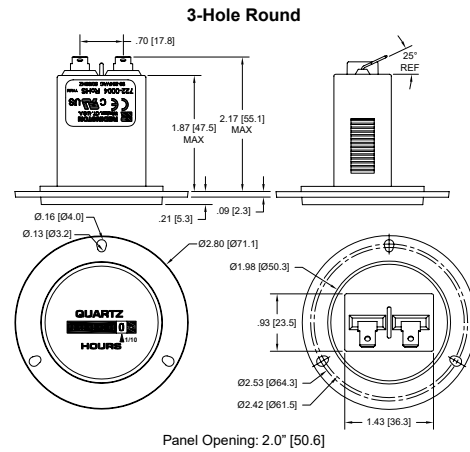
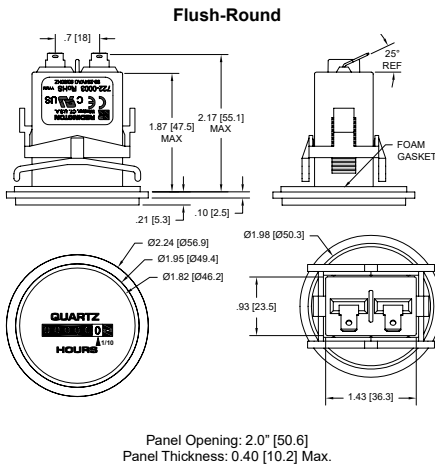
## Specification

<b>Figures</b>	6 - digits, 0.14" [3.6mm] 99999.9 Hours and indicator - white on black Decimal - black on white
<b>Reset</b>	Non-reset
<b>Voltage</b>	90-264VAC
<b>Frequency</b>	50/60Hz
<b>Power</b>	1 watt max.
<b>Mount</b>	Clip or mounting holes
<b>Terminations</b>	1/4" [6.3mm] spade terminals
<b>Weight</b>	~2 oz [57 g]
<b>Accuracy</b>	± 0.02% over entire range
<b>Case Material</b>	Black polymer
<b>Lens Material</b>	Polymer
<b>Approvals</b>	UL/cUL Recognized; CE, UKCA & RoHS Compliant; IP66, SAE & NEMA 4X, 12 Compliant
<b>Environmental</b>	Totally Sealed
<b>Front Panel</b>	IP66 and NEMA 4X, 12 rated with optional gasket
<b>Temp. Range</b>	-40°F to +185°F [-40°C to + 85°C]
<b>Humidity</b>	95% (SAE J1378)
<b>Vibration</b>	10-80 Hz. 20g max. (SAE J1378)
<b>Shock</b>	55g @ 9 - 13msec (SAE J1378)

**Industry standard quartz timing:** The 722 series hour meter uses a quartz crystal oscillator that generates an impulse every 36 seconds or 0.01 of an hour.

## Dimensions





## Part Numbers

- 722-0001** 2-Hole Rectangular, 90-264VAC 50/60Hz, ¼" [6.3mm] spade terminals, hours & 1/10's
- 722-0002** Flush-Rectangular, 90-264VAC 50/60Hz, ¼" [6.3mm] spade terminals, hours & 1/10's
- 722-0003** Flush-Round, 90-264VAC 50/60Hz, ¼" [6.3mm] spade terminals, hours & 1/10's
- 722-0004** 3-Hole Round, 90-264VAC 50/60Hz, ¼" [6.3mm] spade terminals, hours & 1/10's
- 722-0030** Square 1.9", 90-264VAC 50/60Hz, ¼" [6.3mm] spade terminals, hours & 1/10's
- 5003-010** IP66 / NEMA 4X, 12 Gasket for Model 722-0001
- 5003-009** IP66 / NEMA 4X, 12 Gasket for Model 722-0002
- 5003-008** IP66 / NEMA 4X, 12 Gasket for Model 722-0003
- 5003-011** IP66 / NEMA 4X, 12 Gasket for Model 722-0004



**Trumeter (The Americas)**  
6601 Lyons Rd, Suite H-7  
Coconut Creek, Florida  
FL 33073,  
USA  
Tel: +1 954 725 6699  
Email: sales.usa@trumeter.com

**Trumeter (Europe)**  
Pilot Mill  
Alfred Street  
Bury,  
BL9 9JR  
Tel: +44 161 674 0960  
Email: sales.uk@trumeter.com

**Innovative Design Technologies Sdn. Bhd**  
Lot 5881, Lorong Iks Bukit Minyak 1  
Taman Perindustrian Iks, 14000 Bukit Tengah  
Penang, Malaysia  
Web: www.idtworld.com  
Tel: + 604 5015700  
Email: sales.my@idtworld.com