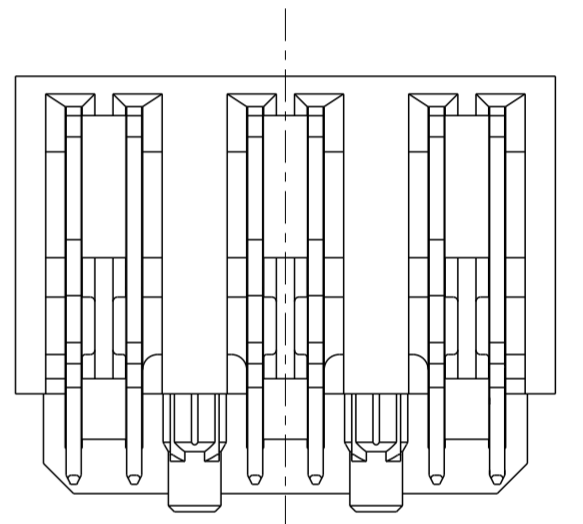
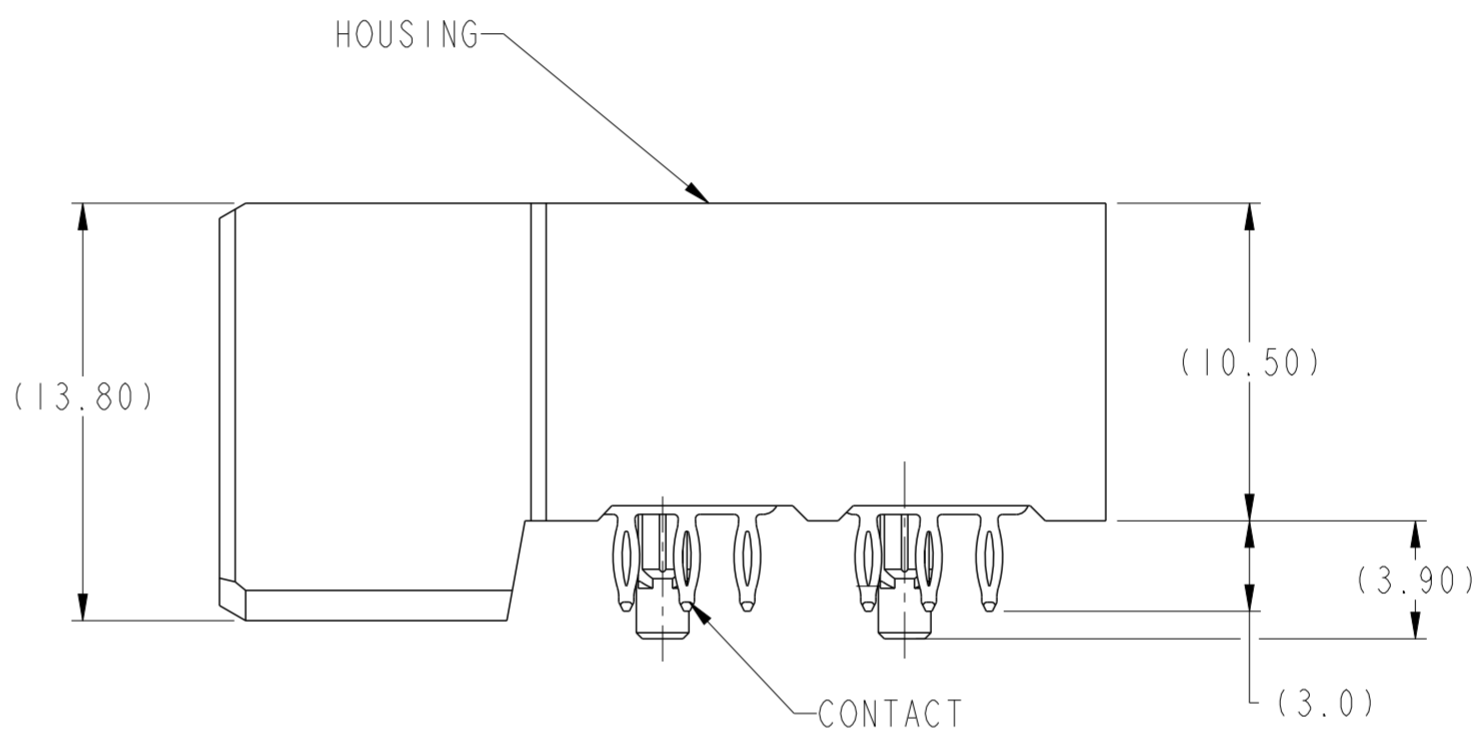
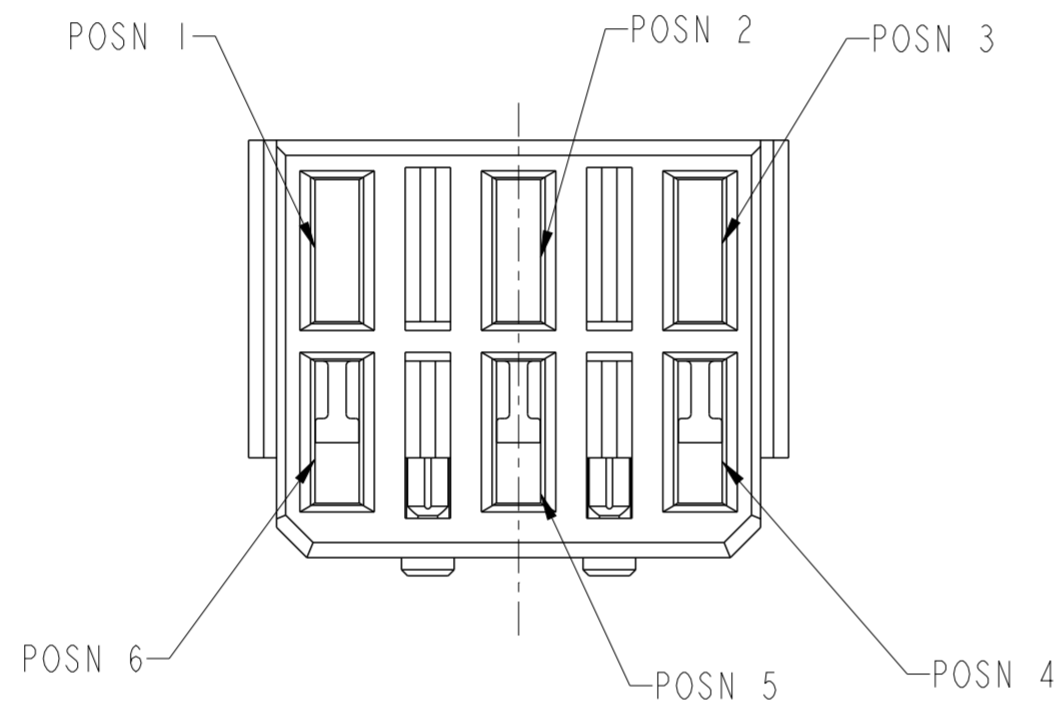
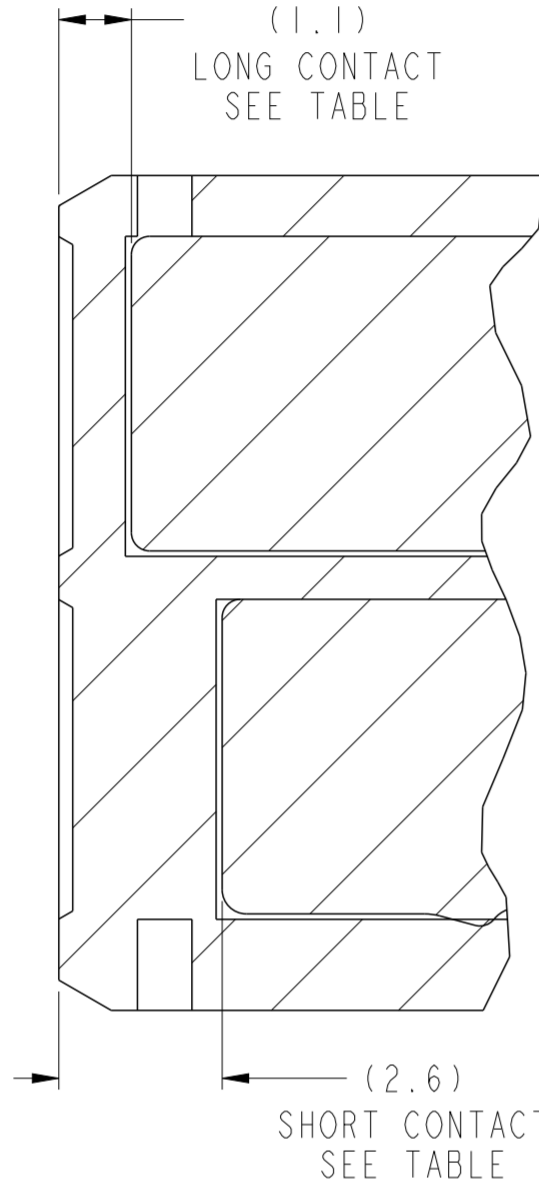
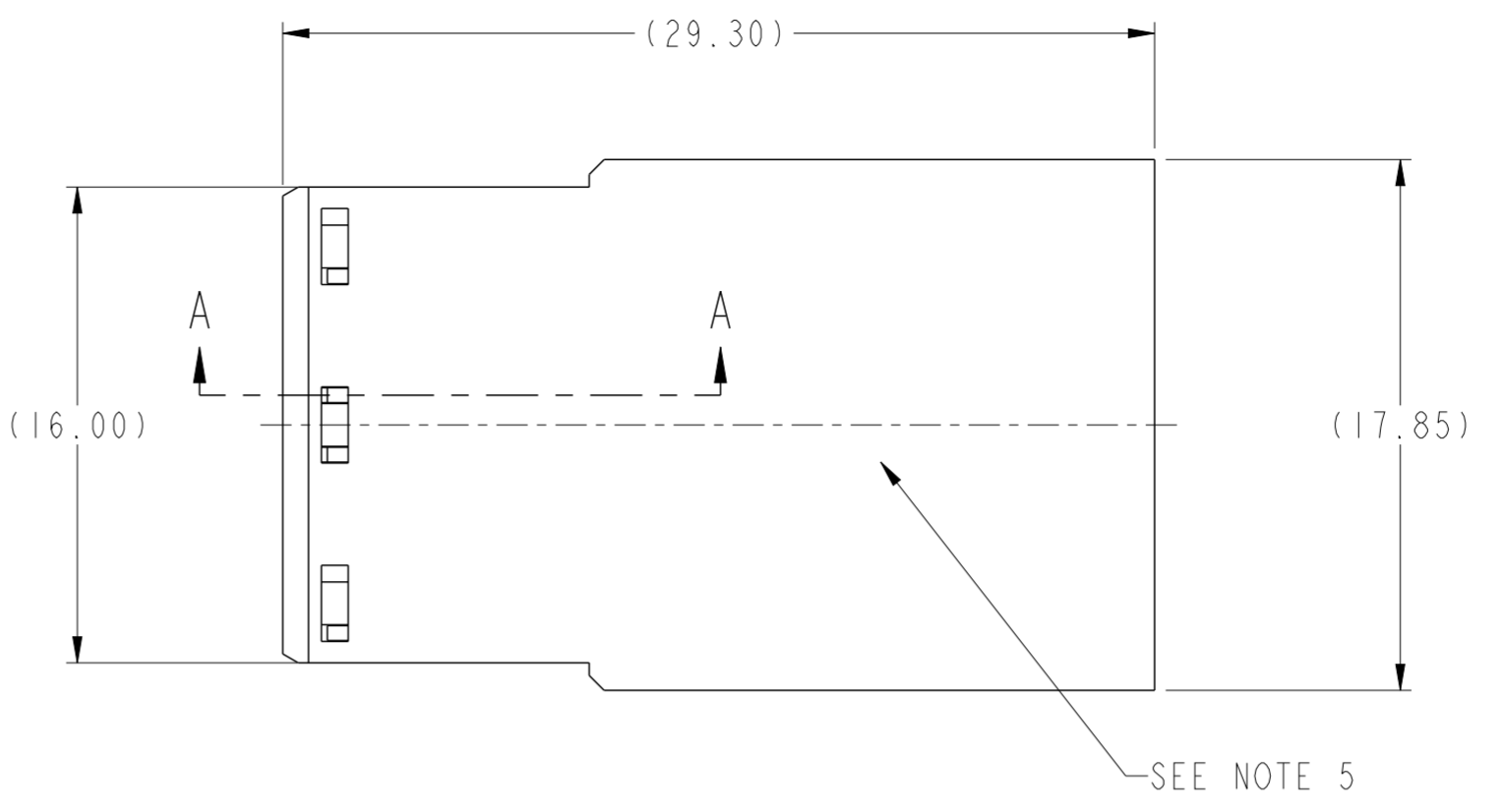
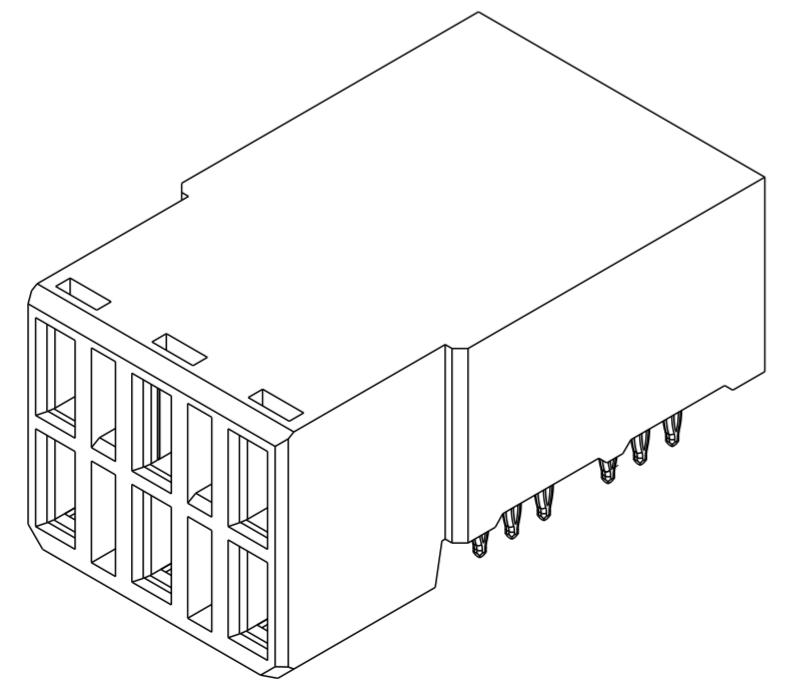


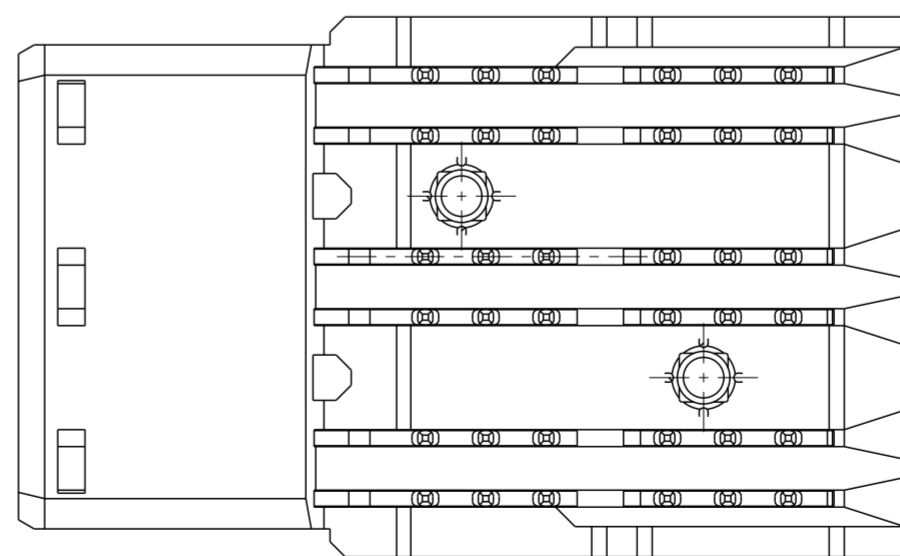
PRODUCT NUMBER ("LF" DENOTES LEAD-FREE)	CONTACT DEPTH (SEE SECTION A-A)					
	POSN 1	POSN 2	POSN 3	POSN 4	POSN 5	POSN 6
10146092-444444PLF	LONG	LONG	LONG	LONG	LONG	LONG
10146092-555555PLF	SHORT	SHORT	SHORT	SHORT	SHORT	SHORT
10146092-444555PLF	LONG	LONG	LONG	SHORT	SHORT	SHORT
10146092-455455PLF	LONG	SHORT	SHORT	LONG	SHORT	SHORT
10146092-554555PLF	SHORT	SHORT	LONG	SHORT	SHORT	SHORT
10146092-555444PLF	SHORT	SHORT	SHORT	LONG	LONG	LONG
10146092-545555PLF	SHORT	LONG	SHORT	SHORT	SHORT	SHORT



SECTION A-A  
SCALE 8:1



3D VIEW  
SCALE 3:1



spec ref	GS-12-220	dr	Terry Luo	2017/1/08	projection	MM	size	A2	scale	1:1			
tolerance std	ASME Y14.5	eng	-	2019/05/31			product family 2mm High Power	ecn no -	rel level Preliminary	rev 3			
TOLERANCES UNLESS OTHERWISE SPECIFIED		chr	-	title							R/A RECEPTACLE ASSY 2X3	dwg no	10146092
surface	linear	0.X	±0.3	Amphenol FCI							AirMAX Power	cat. no.	Product - Customer Drw
	angular	0°	±2°				sheet 1 of 2						

Amphenol FCI

© 2016 AFCI

