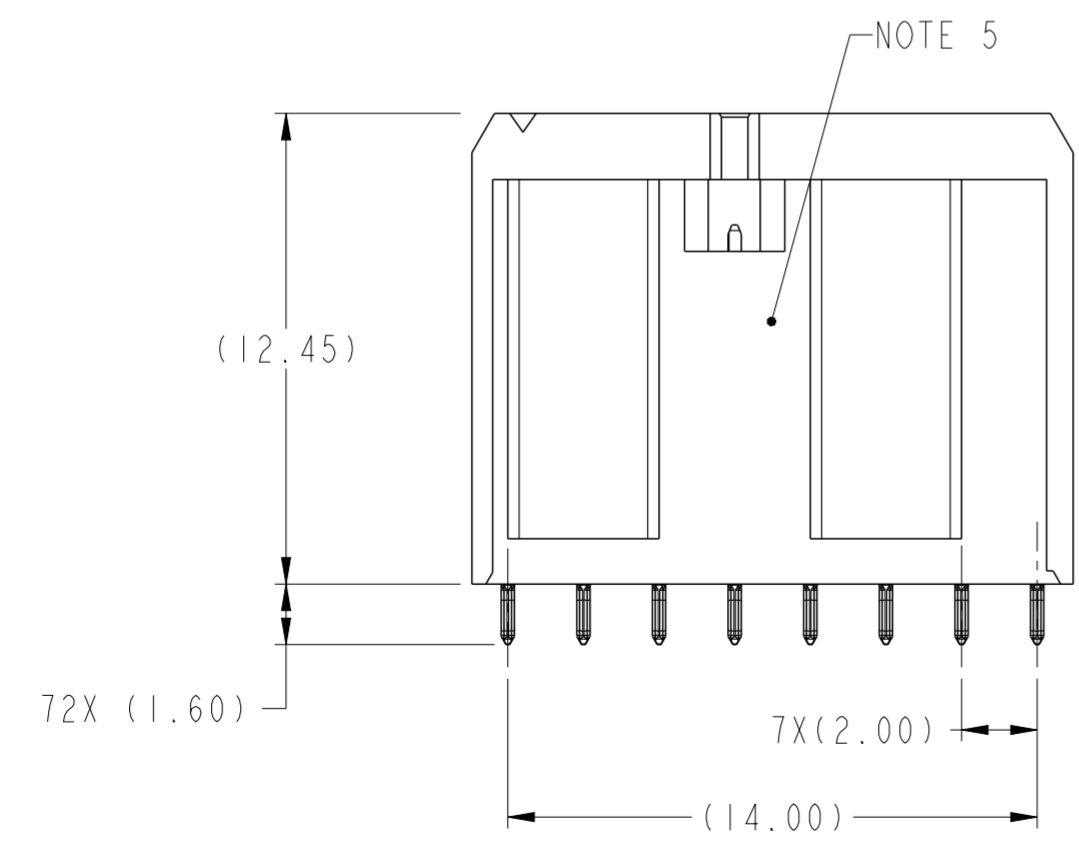
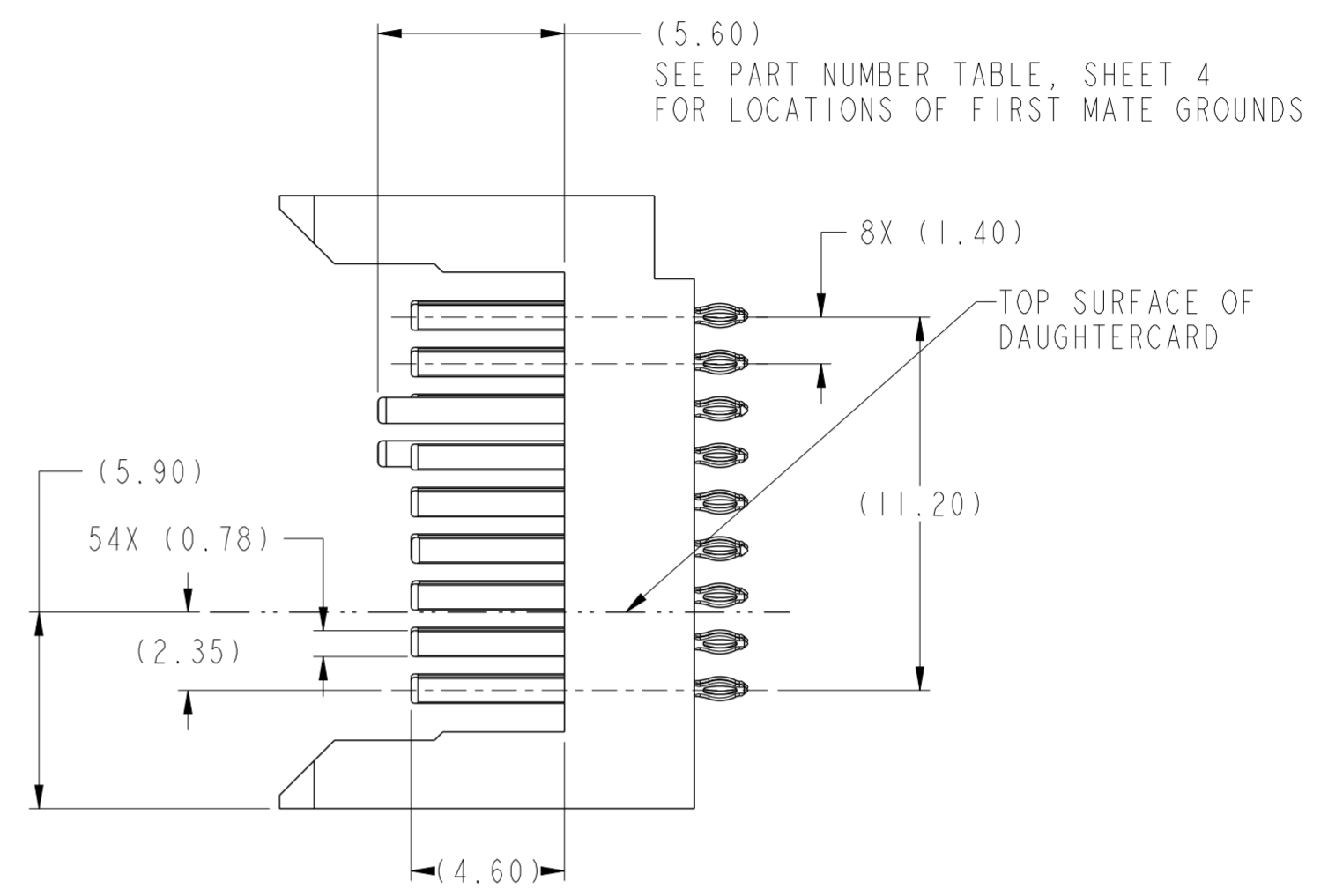
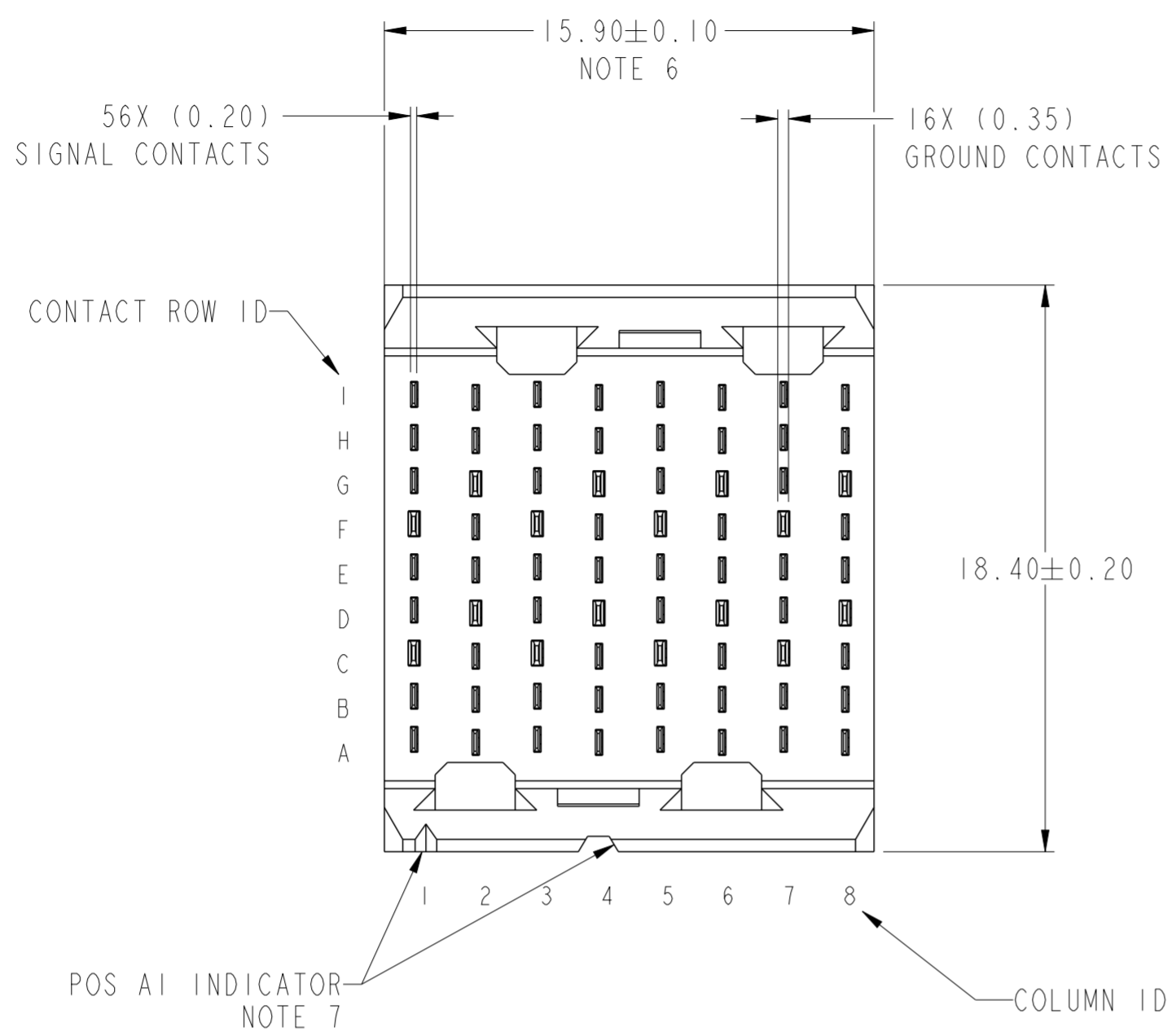


Product number
SEE TABLE, SHT 4



spec ref	-	dr	Tao Zhan	2013/1/06	projection	MM	size	A2	scale	5:1			
tolerance std	ASME Y14.5	eng	Terry Luo	2020/09/08			ecn no	ELX-DG-38252-1					
TOLERANCES UNLESS OTHERWISE SPECIFIED		chr	-	appr			Heaven Cen	2020/09/17	product family	AIRMAX VS	rel level	Released	
surface	-	linear	0.X	±0.3			Amphenol FCI		title	AIRMAX VS2 VERTICAL HEADER		div no	10127937
ASME Y14.5	angular	0°	±2°			cat. no.	-	Product - Customer Drw	sheet 1 of 4				

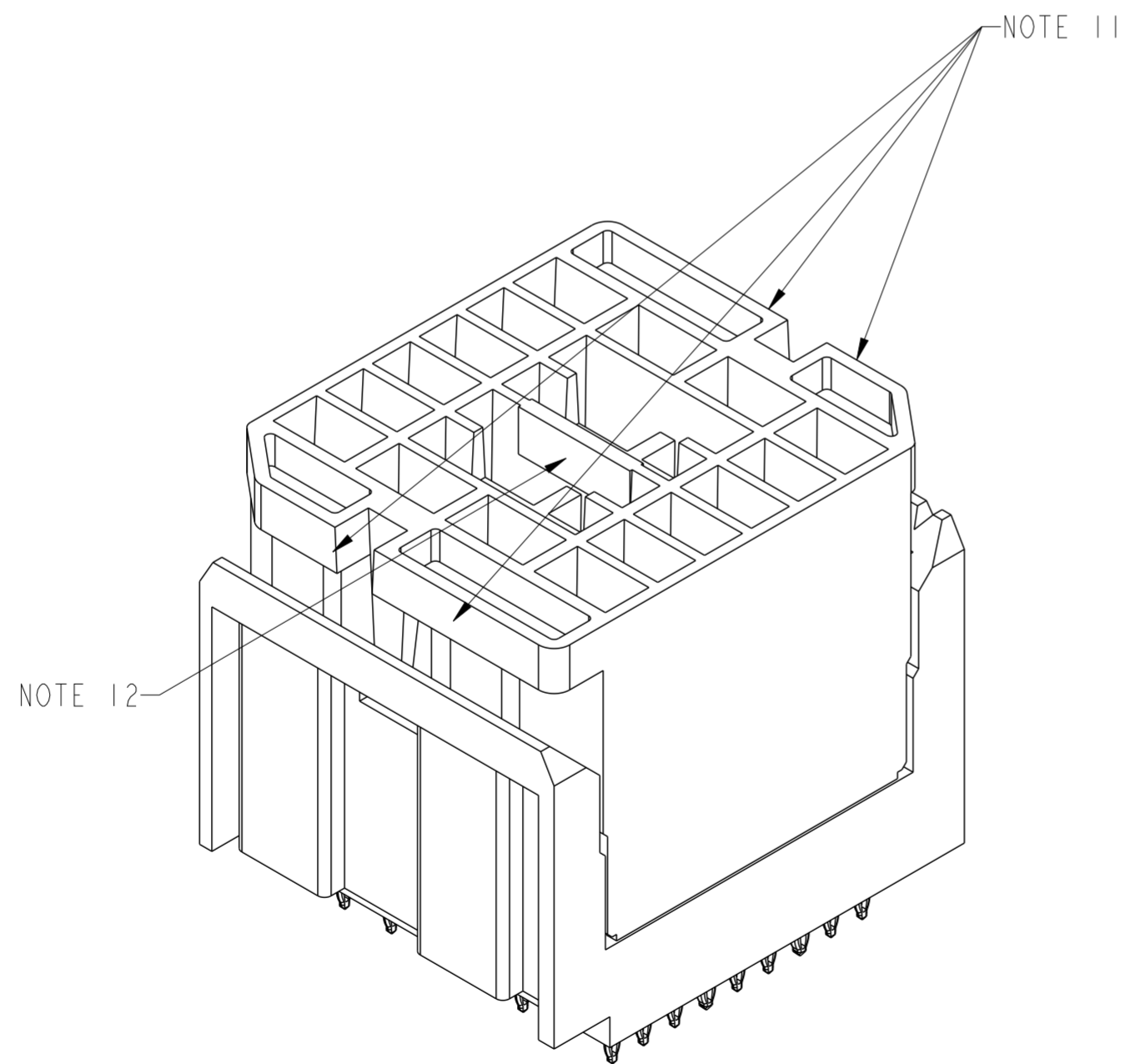
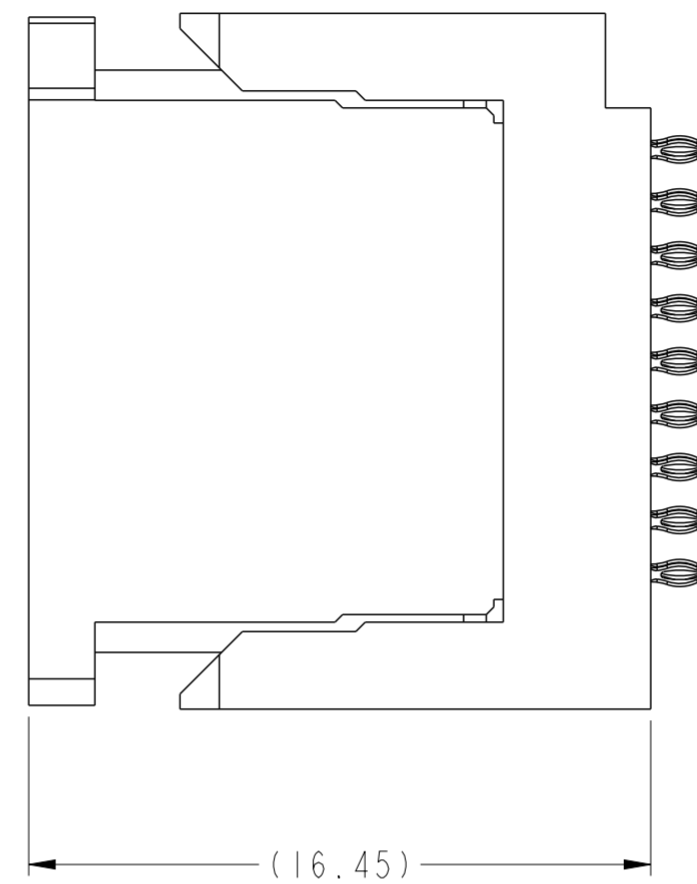
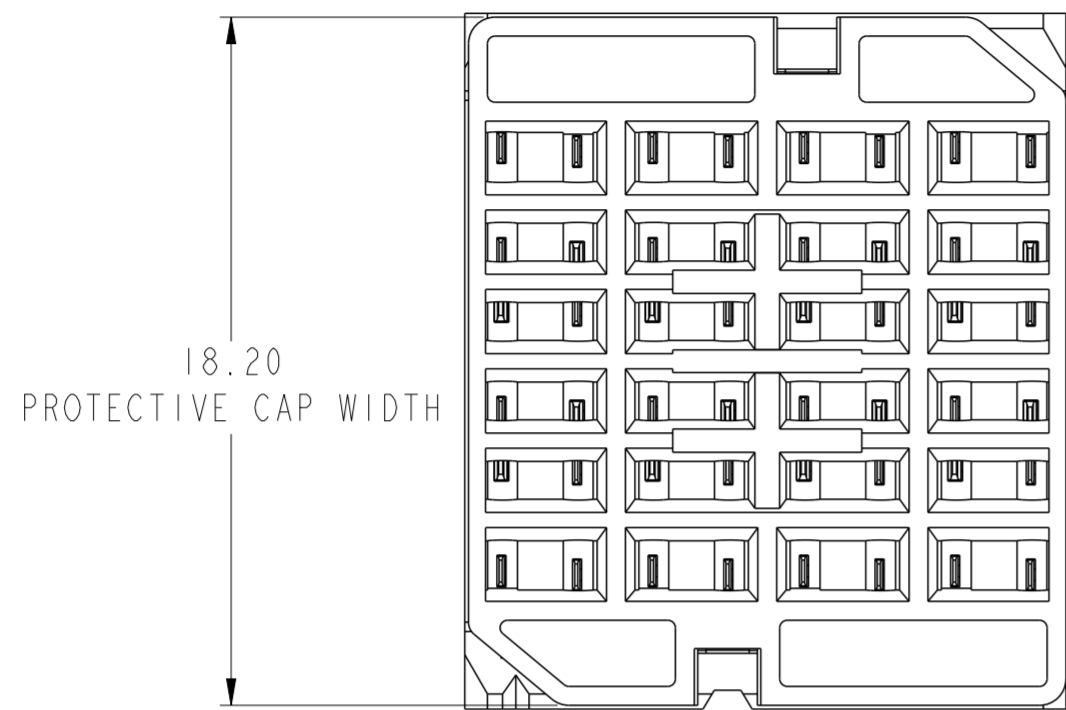
PDS: Rev :B

STATUS:Released

Printed: Sep 18, 2020

Amphenol
FCI

© 2016 APCI

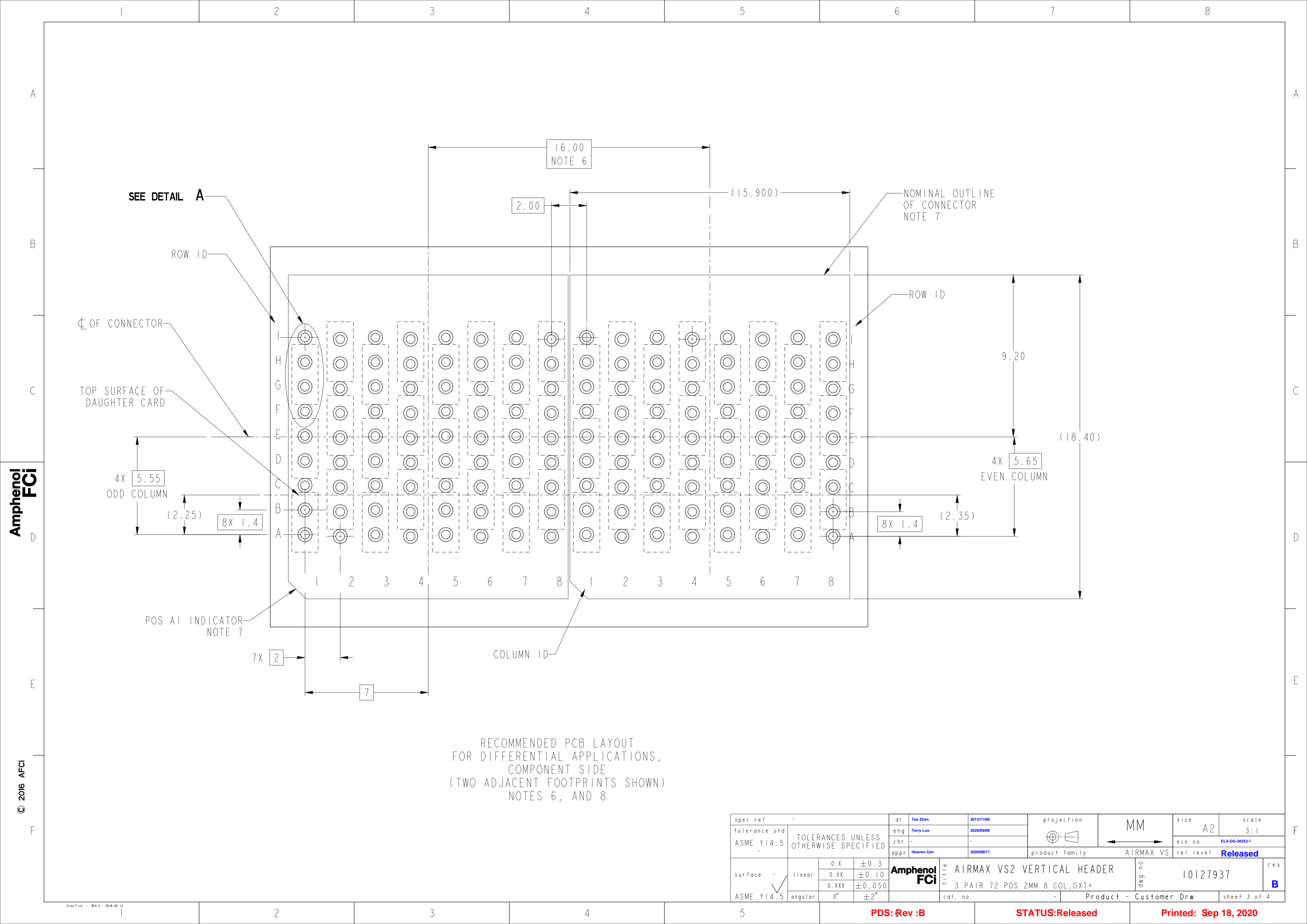


VIEWS SHOWN WITH
PROTECTIVE COVER INSTALLED
10127937-101LF

Amphenol
FCi

© 2016 AFci

spec ref	-	dr	Tao Zhan	2013/1/06	projection	MM	size	A2	scale	5:1		
tolerance std	ASME Y14.5	eng	Terry Luo	2020/09/08			ecn no	ELX-DG-38252-1				
		chr	-	appr			Heaven Cen	2020/09/17	product family	AIRMAX VS	rel level	Released
surface	-	linear	0.X	±0.3		AIRMAX VS2 VERTICAL HEADER 3 PAIR 72 POS 2MM 8 COL,GXT+	divg no	10127937	rev	B		
			0.XX	±0.10			cat. no.	-	Product - Customer Drw	sheet 2 of 4		
		angular	0°	±2°								



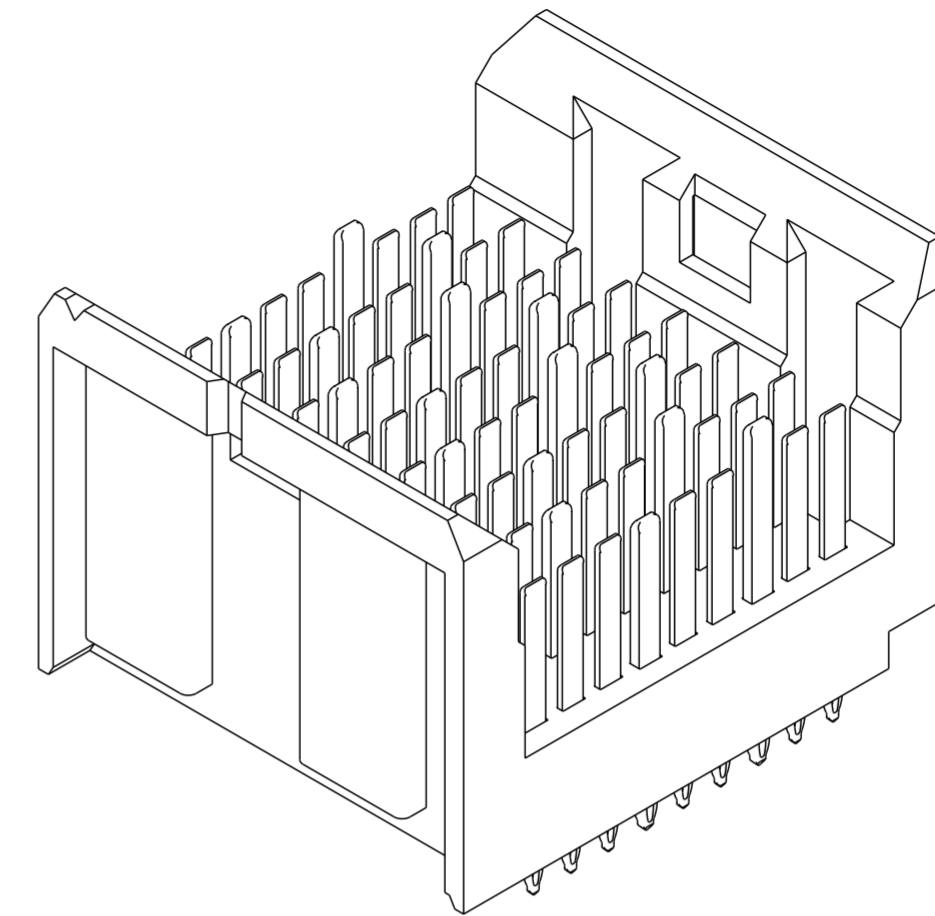
RECOMMENDED PCB LAYOUT
FOR DIFFERENTIAL APPLICATIONS,
COMPONENT SIDE
(TWO ADJACENT FOOTPRINTS SHOWN)
NOTES 6, AND 8

spec ref	-	dr	Tao Zhan	2013/1/06	projection	MM	size	A2	scale	3:1		
tolerance std	ASME Y14.5	eng	Terry Luo	2020/09/08			ecn no	ELX-DG-38252-1	rel level	Released		
TOLERANCES UNLESS OTHERWISE SPECIFIED		chr	-	product family			AIRMAX VS					
surface	-	appr	Heaven Cen	2020/09/17			rel level	Released				
ASME Y14.5	linear	0.X	±0.3		title		AIRMAX VS2 VERTICAL HEADER	3 PAIR 72 POS 2MM 8 COL,GXT+	divg no	10127937	rev	B
		0.XX	±0.10		cat. no.	-	Product - Customer Drw		sheet 3 of 4			
	angular	0°	±2°									

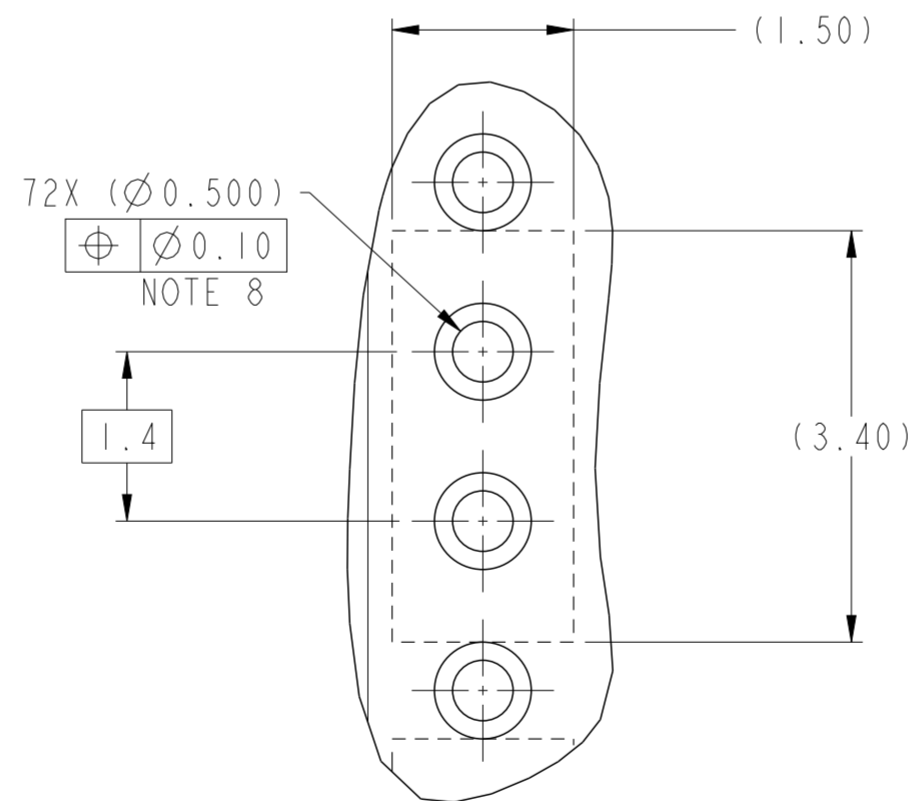
PART NUMBER	PRESS-FIT TAIL PLATING TYPE	PROTECTIVE COVER	FIRST MATE PIN LOCATIONS (5.6mm)
10127937-101LF	TIN OVER NICKEL (LEAD FREE)	YES	F1, F3, F5,F7 G2, G4, G6,G8

NOTES:

- CONNECTOR MATERIALS:
HOUSING: HIGH TEMP THERMOPLASTIC, BLACK, UL94V-0
CONTACT: COPPER ALLOY
- CONTACT PLATING:
SEPARABLE INTERFACE: PERFORMANCE-BASED PLATING, QUALIFIED TO MEET THE REQUIREMENTS OF FCI PRODUCT SPECIFICATION GS-12-239 INCLUDING TELCORDIA GR-1217-CORE (NOVEMBER 1995) CENTRAL OFFICE TEST SEQUENCE
PRESS-FIT TAILS: SEE TABLE
- PRODUCT SPECIFICATION: GS-12-239.
- APPLICATION SPECIFICATION: GS-20-035.
- PRODUCT MARKING, (PROTOTYPE, PART NUMBER & LOT CODE), ON THIS SURFACE.
- THE MINIMUM CENTERLINE SPACING BETWEEN ADJACENT MODULES IS 16.0 mm.
- CONNECTOR OUTLINE WITH HOUSING POS AI INDICATOR MAY BE SCREEN PRINTED ONTO CUSTOMER PCB TO BE USED AS A GUIDE FOR MANUAL CONNECTOR PLACEMENT.
- REFER TO CUSTOMER DRAWING 10104444 FOR INFORMATION ON PCB HOLE DIAMETERS AND PLATING OPTIONS.
- THIS PRODUCT MEETS EUROPEAN UNION DIRECTIVES AND OTHER COUNTRY REGULATIONS AS DESCRIBED IN GS-22-008.
- PACKAGING MEETS GS-14-920 LEAD FREE LABELING SPECIFICATION.
- FOR REMOVAL OF THE PROTECTIVE CAP BY HAND GRIP USING THESE SURFACES.
- FOR REMOVAL OF THE PROTECTIVE CAP WITH PLIERS GRIP USING THIS FEATURE.



10127937-101LF WITHOUT PROTECT COVER



DETAIL A
SCALE 16:1

spec ref	-	dr	Tao Zhan	2013/1/06	projection	MM	size	A2	scale	5:1
tolerance std	ASME Y14.5	eng	Terry Luo	2020/09/08	chr	-	ecn no	ELX-DG-38252-1	rel level	Released
surface	-	appr	Heaven Cen	2020/09/17	product family	AIRMAX VS	cat. no.	10127937	rev	B
ASME Y14.5	linear	0.X	±0.3	Amphenol FCI	title	AIRMAX VS2 VERTICAL HEADER	Product - Customer Drw	sheet 4 of 4		
		0.XX	±0.10			3 PAIR 72 POS 2MM 8 COL,GXT+				
	angular	0°	±2°							