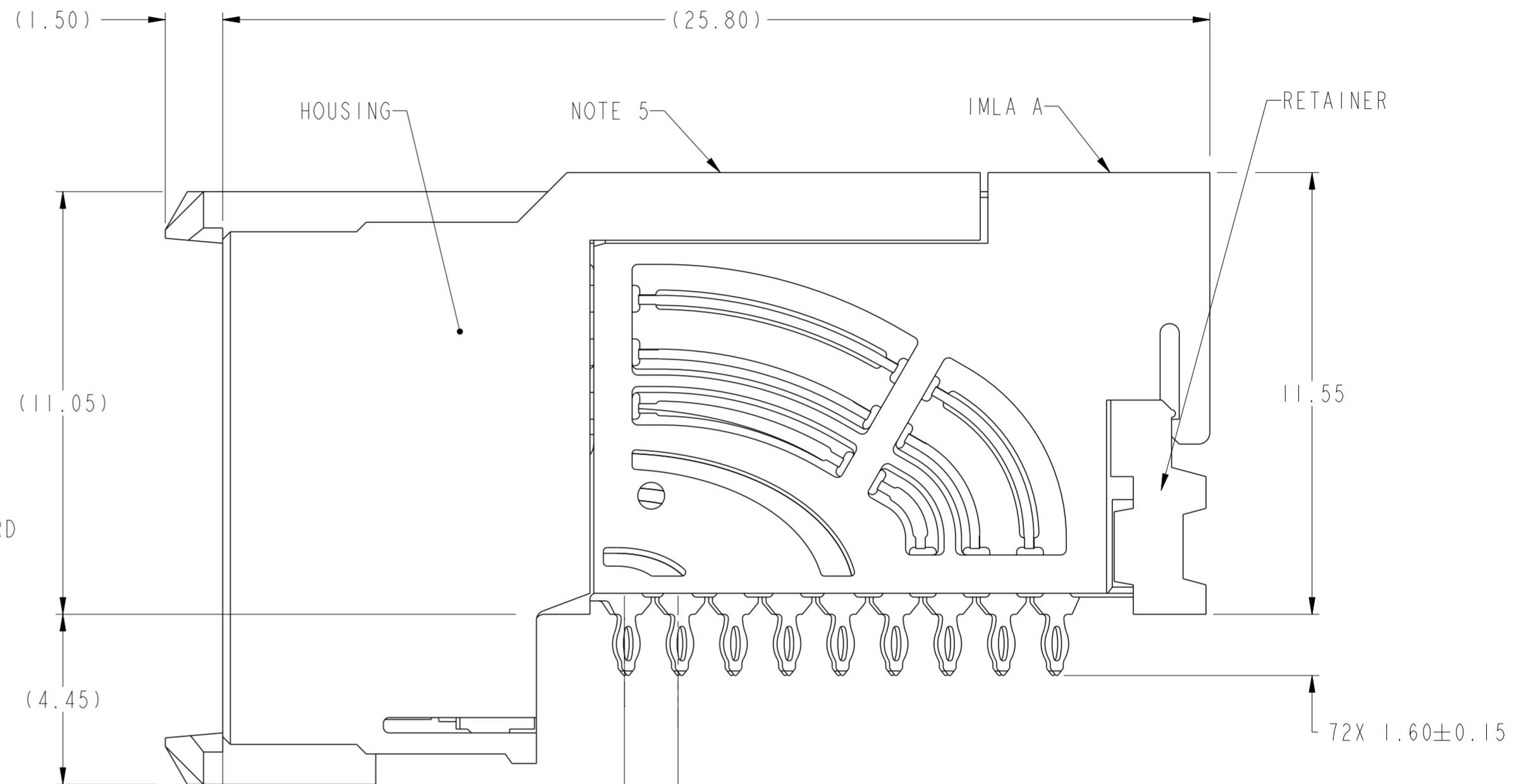
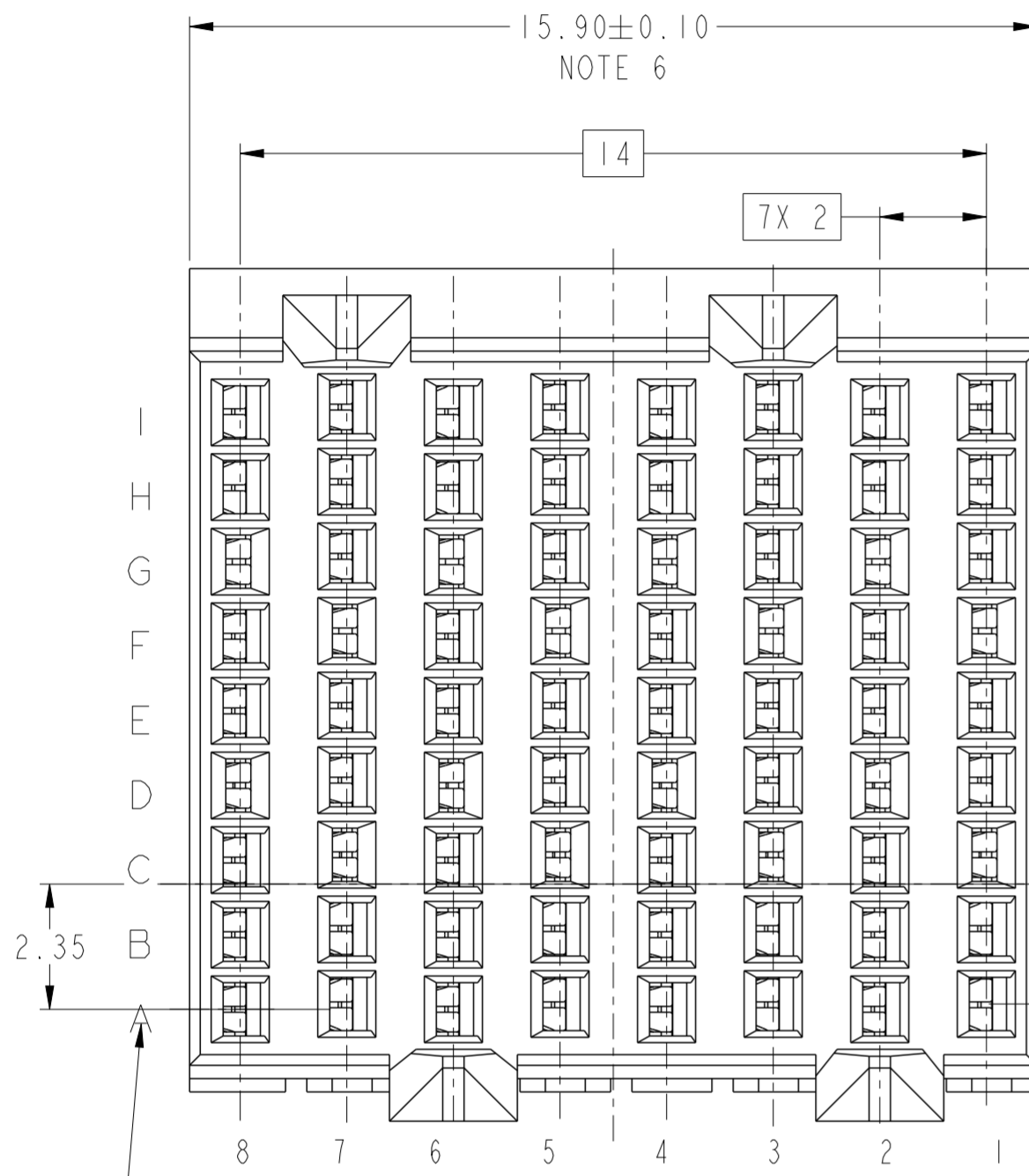


PRODUCT NUMBER
SEE SHEET 3



TOP SURFACE OF DAUGHTER CARD

2.25

2.35

COLUMN ID

10.50 ϕ OF EVEN COLUMNS
10.60 ϕ OF ODD COLUMNS

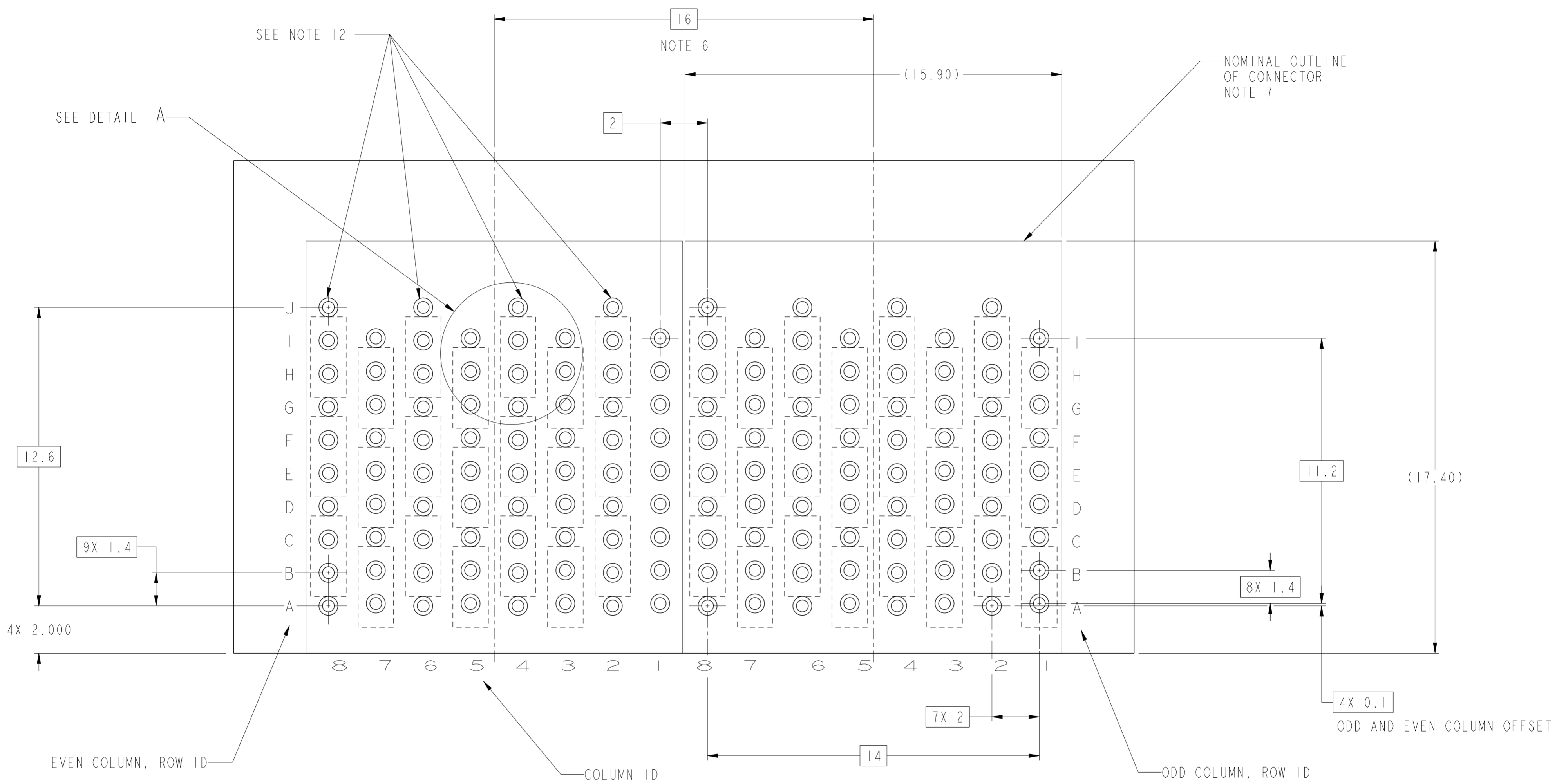
ODD COLUMN, CONTACT ROW ID

EVEN COLUMN, CONTACT ROW ID
ODD AND EVEN COLUMNS ARE OFFSET

| | | | | | | | | | | | | | | | | | | | | |
|---------------------------------------|--|----------|--------------|----------------|------------|------------------------|------------|----------------|------------------------------|-----------------|------|--|-------|-------|---------|----|----|-------|------------|------------|
| spec ref | --- | dr | Lin-Soo Ngwe | 2013/02/20 | projection | MM | size | A2 | scale | 1:1 | | | | | | | | | | |
| tolerance std | ASME Y14.5M | eng | Terry Luo | 2020/09/04 | | | ecn no | ELX-DG-38252-1 | rel level Released | rev D | | | | | | | | | | |
| TOLERANCES UNLESS OTHERWISE SPECIFIED | | chr | - | product family | | | AirMax VSE | | | | | | | | | | | | | |
| surface | <table border="1"> <tr> <td>linear</td> <td>0.X</td> <td>±.3</td> </tr> <tr> <td></td> <td>0.XX</td> <td>±.10</td> </tr> <tr> <td></td> <td>0.XXX</td> <td>±.050</td> </tr> <tr> <td>angular</td> <td>0°</td> <td>±°</td> </tr> </table> | linear | 0.X | ±.3 | | | | 0.XX | | | ±.10 | | 0.XXX | ±.050 | angular | 0° | ±° | apppr | Heaven Cen | 2020/09/17 |
| linear | 0.X | ±.3 | | | | | | | | | | | | | | | | | | |
| | 0.XX | ±.10 | | | | | | | | | | | | | | | | | | |
| | 0.XXX | ±.050 | | | | | | | | | | | | | | | | | | |
| angular | 0° | ±° | | | | | | | | | | | | | | | | | | |
| | | cat. no. | | - | | Product - Customer Drw | | sheet 1 of 3 | | | | | | | | | | | | |

Amphenol FCI

© 2016 AFCI

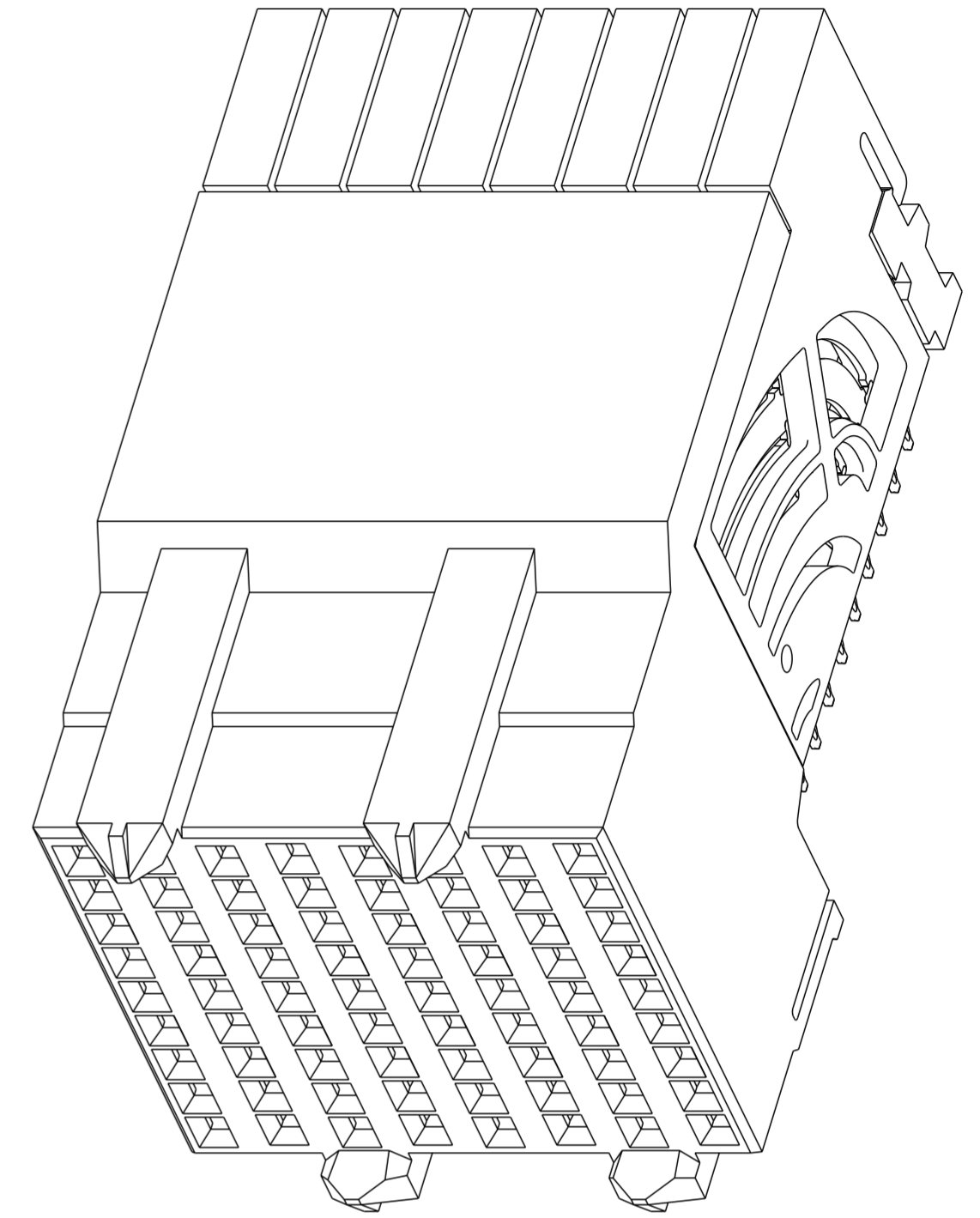


RECOMMENDED PCB LAYOUT
FOR DIFFERENTIAL APPLICATIONS
COMPONENT SIDE
(TWO ADJACENT FOOTPRINTS SHOWN)
NOTES 6, 8, & 11

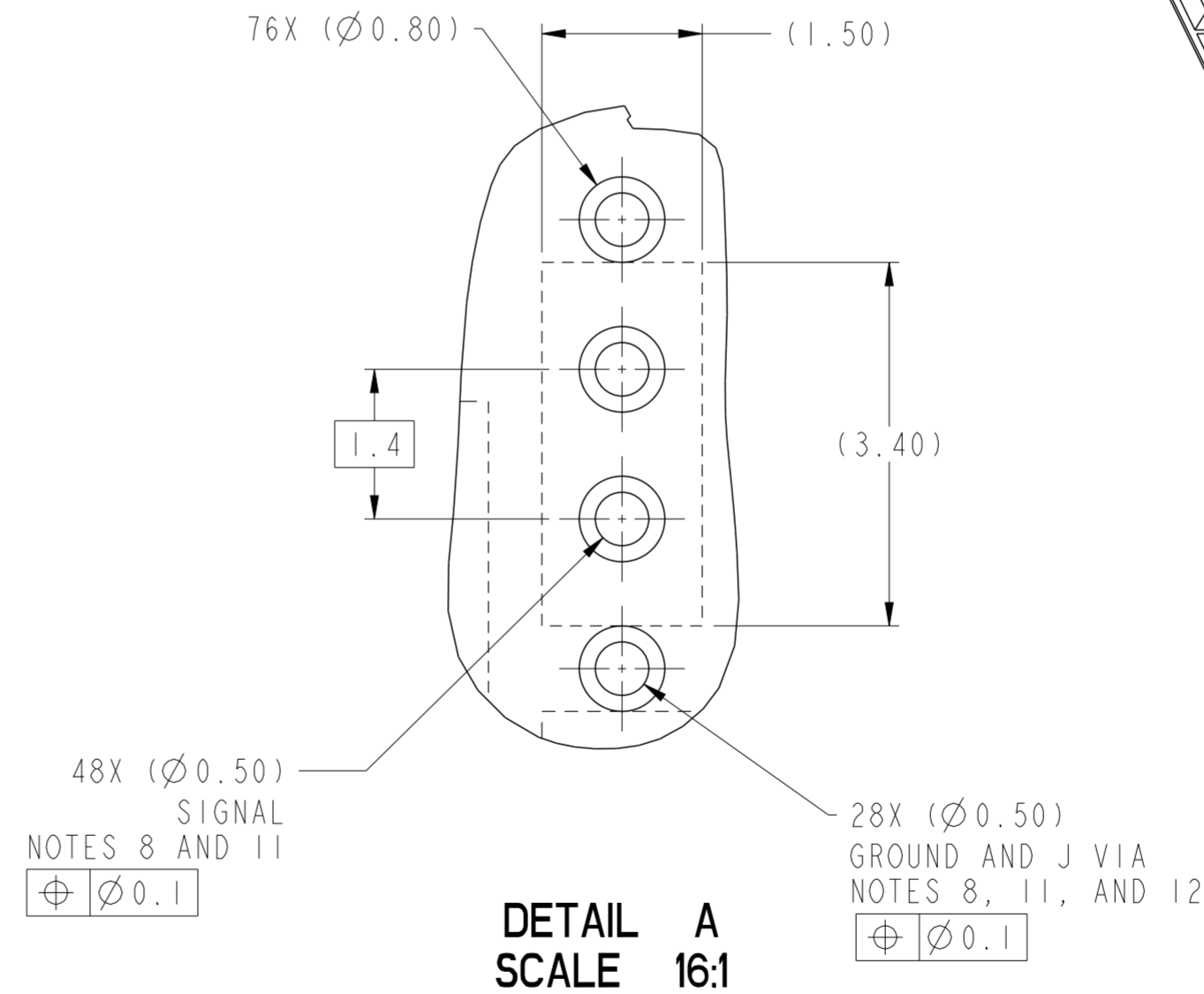
| | | | | | | | | | | | | | | | | | | | | | | |
|---------------------------------------|--|----------|--------------|------------------------|--------------|----|------------|----------------|-----------|----------|--|-------|-------|---------|----|----|------|------------|------------|-------|--|--------|
| spec ref | --- | dr | Lin-Soo Ngwe | 2013/02/20 | projection | MM | size | A2 | scale | 1:1 | | | | | | | | | | | | |
| tolerance std | ASME Y14.5M | eng | Terry Luo | 2020/09/04 | | | ecn no | ELX-DG-38252-1 | rel level | Released | | | | | | | | | | | | |
| TOLERANCES UNLESS OTHERWISE SPECIFIED | | chr | - | product family | | | AirMax VSE | | | | | | | | | | | | | | | |
| surface | <table border="1"> <tr> <td>linear</td> <td>0.X</td> <td>±.3</td> </tr> <tr> <td></td> <td>0.XX</td> <td>±.10</td> </tr> <tr> <td></td> <td>0.XXX</td> <td>±.050</td> </tr> <tr> <td>angular</td> <td>0°</td> <td>±°</td> </tr> </table> | linear | 0.X | ±.3 | | | | 0.XX | | ±.10 | | 0.XXX | ±.050 | angular | 0° | ±° | appr | Heaven Cen | 2020/09/17 | title | AIRMAX VS2 R.A. RECEPTACLE ASS'Y, 3 PAIR, 72 POS, 8 IMLA, 16MM, GXT+ | dwg no |
| linear | 0.X | ±.3 | | | | | | | | | | | | | | | | | | | | |
| | 0.XX | ±.10 | | | | | | | | | | | | | | | | | | | | |
| | 0.XXX | ±.050 | | | | | | | | | | | | | | | | | | | | |
| angular | 0° | ±° | | | | | | | | | | | | | | | | | | | | |
| | | cat. no. | - | Product - Customer Drw | sheet 2 of 3 | | | | | | | | | | | | | | | | | |

| | |
|----------------|-----------------------------|
| PRODUCT NUMBER | PRESS-FIT TAIL PLATING TYPE |
| 10124355-101 | TIN/LEAD ALLOY OVER NICKEL |
| 10124355-101LF | TIN OVER NICKEL (LEAD FREE) |

- ① - CONNECTOR MATERIALS:
HOUSING: HIGH TEMP THERMOPLASTIC, NATURAL, UL94-V0
IMLA PLASTIC: HIGH TEMP THERMOPLASTIC, BLACK, UL94-V0
CONTACT: COPPER ALLOY
ORGANIZER: HIGH TEMP THERMOPLASTIC, WHITE, UL94-V0
- 2 - CONTACT PLATING:
SEPARABLE INTERFACE:
PERFORMANCE-BASED PLATING, QUALIFIED TO MEET THE REQUIREMENTS OF FCI PRODUCT SPECIFICATION GS-12-0956 INCLUDING TELCORDIA GR-1217-CORE (NOVEMBER 1995) CENTRAL OFFICE TEST SEQUENCE
- PRESS-FIT TAILS: SEE TABLE
- 3 - PRODUCT SPECIFICATION: GS-12-0956
- 4 - APPLICATION SPECIFICATION: GS-20-0305.
- ⑤ - PRODUCT MARKING, (PART NUMBER & LOT CODE), ON THIS SURFACE.
- ⑥ - THE MINIMUM CENTERLINE SPACING BETWEEN ADJACENT MODULES IS 16.0 MM.
- ⑦ - CONNECTOR OUTLINE MAY BE SCREEN PRINTED ONTO CUSTOMER PCB TO BE USED AS A GUIDE FOR MANUAL CONNECTOR PLACEMENT.
- ⑧ - REFER TO CUSTOMER DRAWING 10104444 FOR INFORMATION ON PCB HOLE DIAMETERS AND PLATING OPTIONS
- 9 - LEAD FREE PRODUCT MEETS THE EUROPEAN UNION DIRECTIVES & OTHER COUNTRY REGULATIONS AS DESCRIBED IN GS-22-008
- 10 - PACKAGING MEETS GS-14-920 LEAD FREE LABELING SPECIFICATION.
- ⑪ - GROUND CONTACTS (C,F, AND I IN ODD COLUMNS AND A, D, AND G, EVEN COLUMNS) REQUIRE (Ø0.500) FINISHED HOLES. SIGNAL LOCATIONS REQUIRE (Ø0.500) FINISHED HOLES.
- ⑫ - THESE OUTER VIAS (J) ARE OPTIONAL. WHILE NO CONNECTOR EONS ARE PRESSED INTO THESE HOLES WE RECCOMEND (Ø0.500) FINISHED HOLES AT THESE LOCATIONS TO PROVIDE GROUND SYMMETRY THROUGH THE PCB.



10124355-101 OR -101LF



| | | | | | | | | | | | | | | | | | | | | |
|---------------------------------------|--|--------|--------------|------------|------------|------|------------|----------------|----------------|-----------|----------|----|----|--|--|--|--|---|---|---|
| spec ref | --- | dr | Lin-Soe Ngwe | 2013/02/20 | projection | MM | size | A2 | scale | 4:1 | | | | | | | | | | |
| tolerance std | ASME Y14.5M | eng | Terry Luo | 2020/09/04 | | | ecn no | ELX-DG-38252-1 | | | | | | | | | | | | |
| TOLERANCES UNLESS OTHERWISE SPECIFIED | | chr | - | appr | | | Heaven Cen | 2020/09/17 | product family | rel level | Released | | | | | | | | | |
| surface | <table border="1"> <tr> <td>linear</td> <td>0.X</td> <td>±.3</td> </tr> <tr> <td></td> <td>0.XX</td> <td>±.10</td> </tr> <tr> <td></td> <td>0.XXX</td> <td>±.050</td> </tr> <tr> <td>angular</td> <td>0°</td> <td>±°</td> </tr> </table> | linear | 0.X | ±.3 | | 0.XX | ±.10 | | 0.XXX | ±.050 | angular | 0° | ±° | | | AIRMAX VS2 R.A. RECEPTACLE ASS'Y, 3 PAIR, 72 POS, 8 IMLA, 16MM, GXT+ | | <div style="display: flex; justify-content: space-between;"> cat. no. Product - Customer Drw </div> | <div style="display: flex; justify-content: space-between;"> 10124355 sheet 3 of 3 </div> | <div style="display: flex; justify-content: space-between;"> rev D </div> |
| linear | 0.X | ±.3 | | | | | | | | | | | | | | | | | | |
| | 0.XX | ±.10 | | | | | | | | | | | | | | | | | | |
| | 0.XXX | ±.050 | | | | | | | | | | | | | | | | | | |
| angular | 0° | ±° | | | | | | | | | | | | | | | | | | |

PDS: Rev :D

STATUS:Released

Printed: Sep 18, 2020