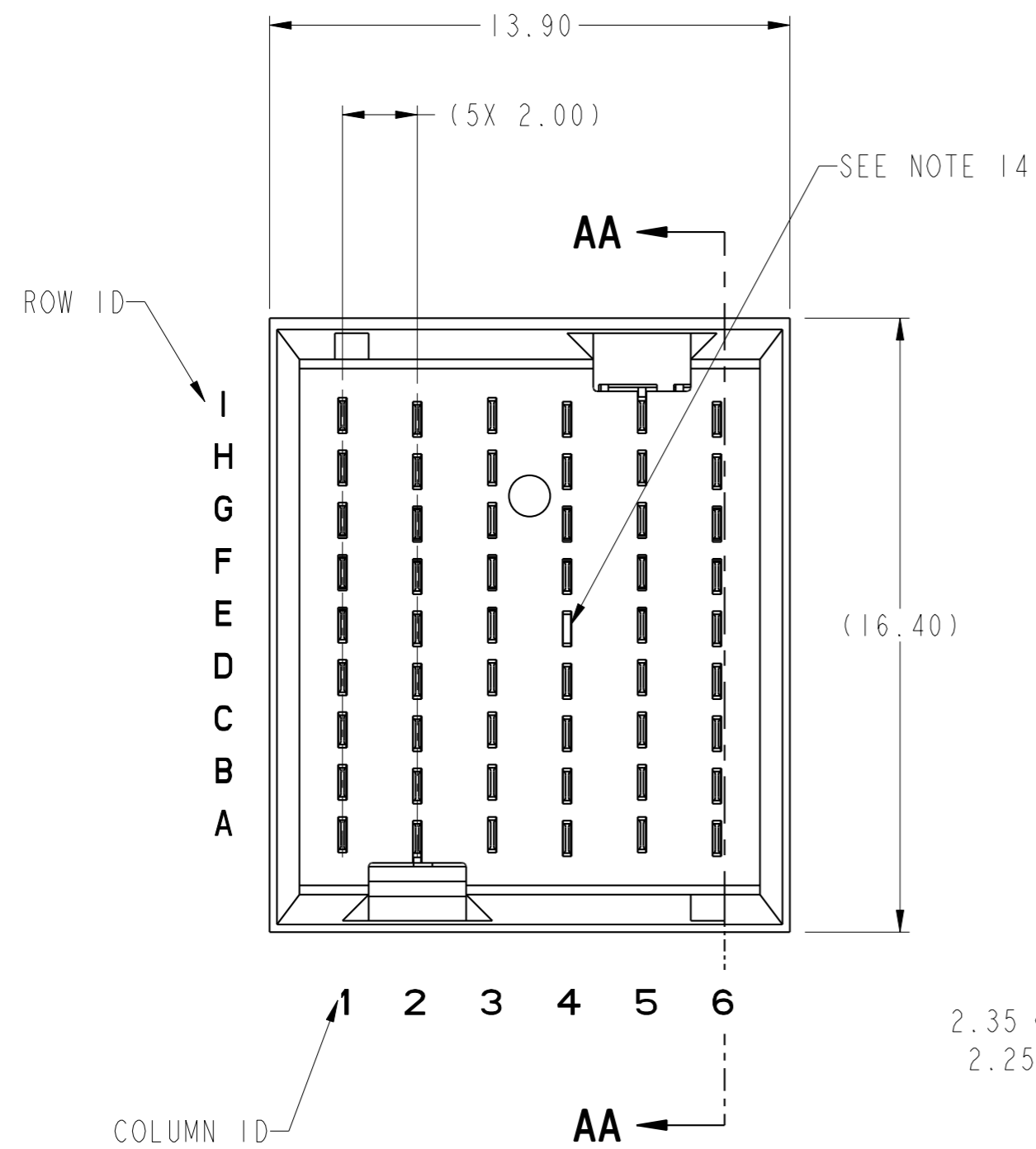
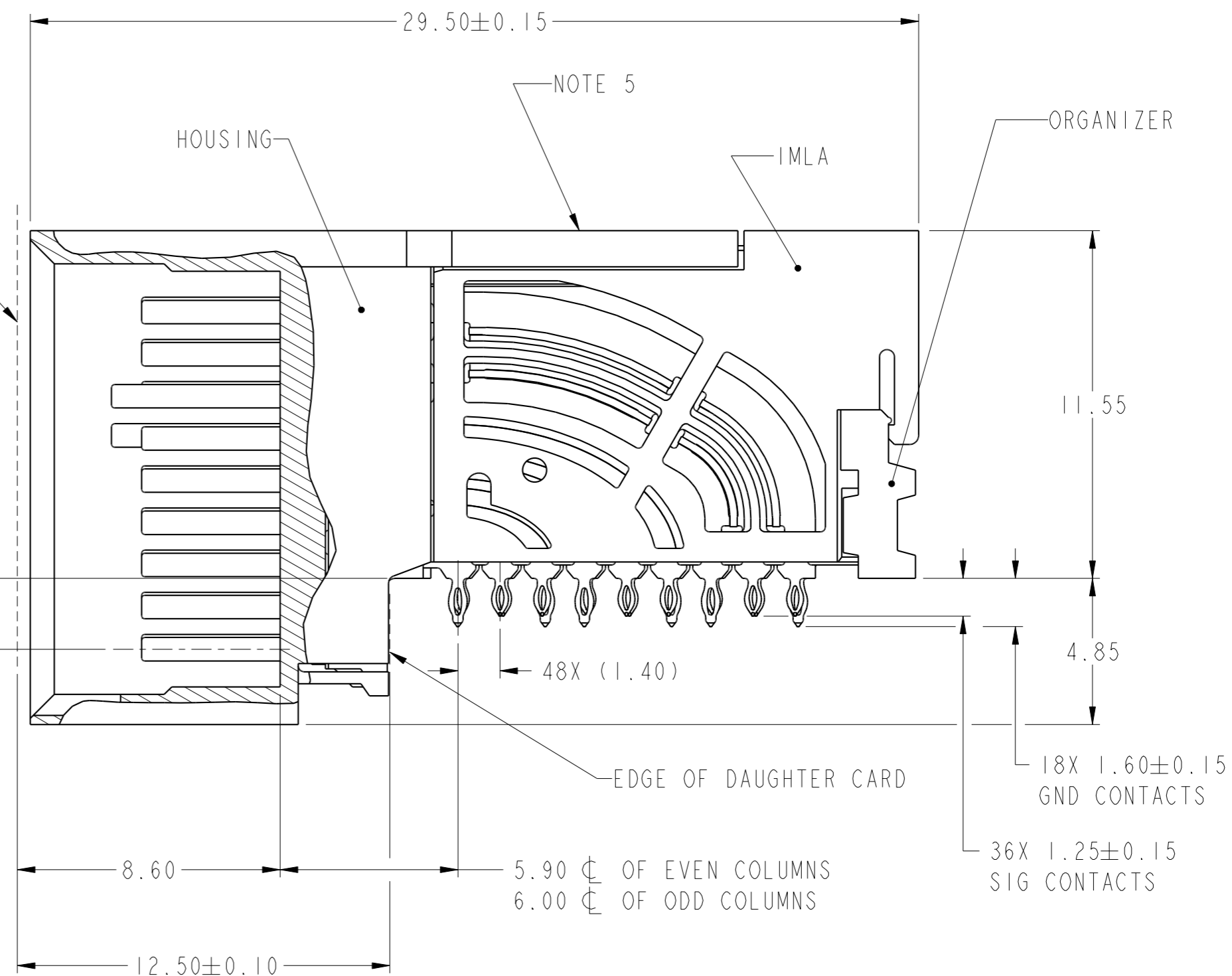


PRODUCT NUMBER
SEE SHEET 3

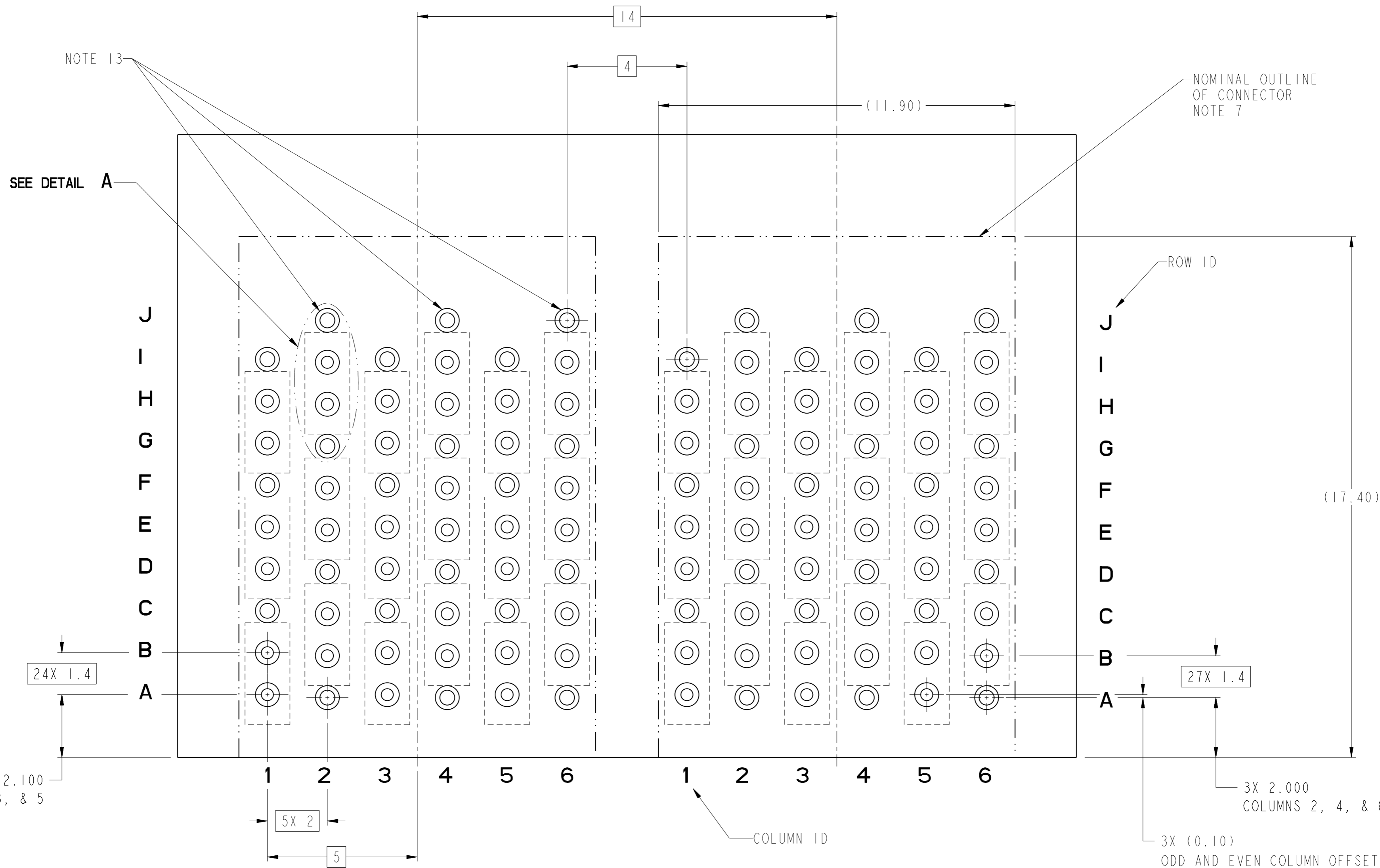


2.35 ϕ OF EVEN COLUMNS
2.25 ϕ OF ODD COLUMNS



SECTION AA-AA

spec ref	---	dr	Lin-Soo Ngwe	2013/01/23	projection	MM	size	A2	scale	6:1										
tolerance std	ASME Y14.5M	eng	Terry Luo	2020/09/08			ecn no	ELX-DG-38252-1	rel level	Released										
TOLERANCES UNLESS OTHERWISE SPECIFIED		chr	-	appr			Heaven Cen	2020/09/17		product family	AirMax VS2									
surface	<table border="1"> <tr> <td>linear</td> <td>0.X</td> <td>±.3</td> </tr> <tr> <td></td> <td>0.XX</td> <td>±.15</td> </tr> <tr> <td></td> <td>0.XXX</td> <td>±.050</td> </tr> <tr> <td>angular</td> <td>0°</td> <td>±2°</td> </tr> </table>	linear	0.X	±.3				0.XX		±.15		0.XXX	±.050	angular	0°	±2°			Amphenol FCI title AirMax VS2 R.A. HEADER 3 Pair, 54 pos, 2mm, 6Col, SPF, GXT+	
linear	0.X	±.3																		
	0.XX	±.15																		
	0.XXX	±.050																		
angular	0°	±2°																		

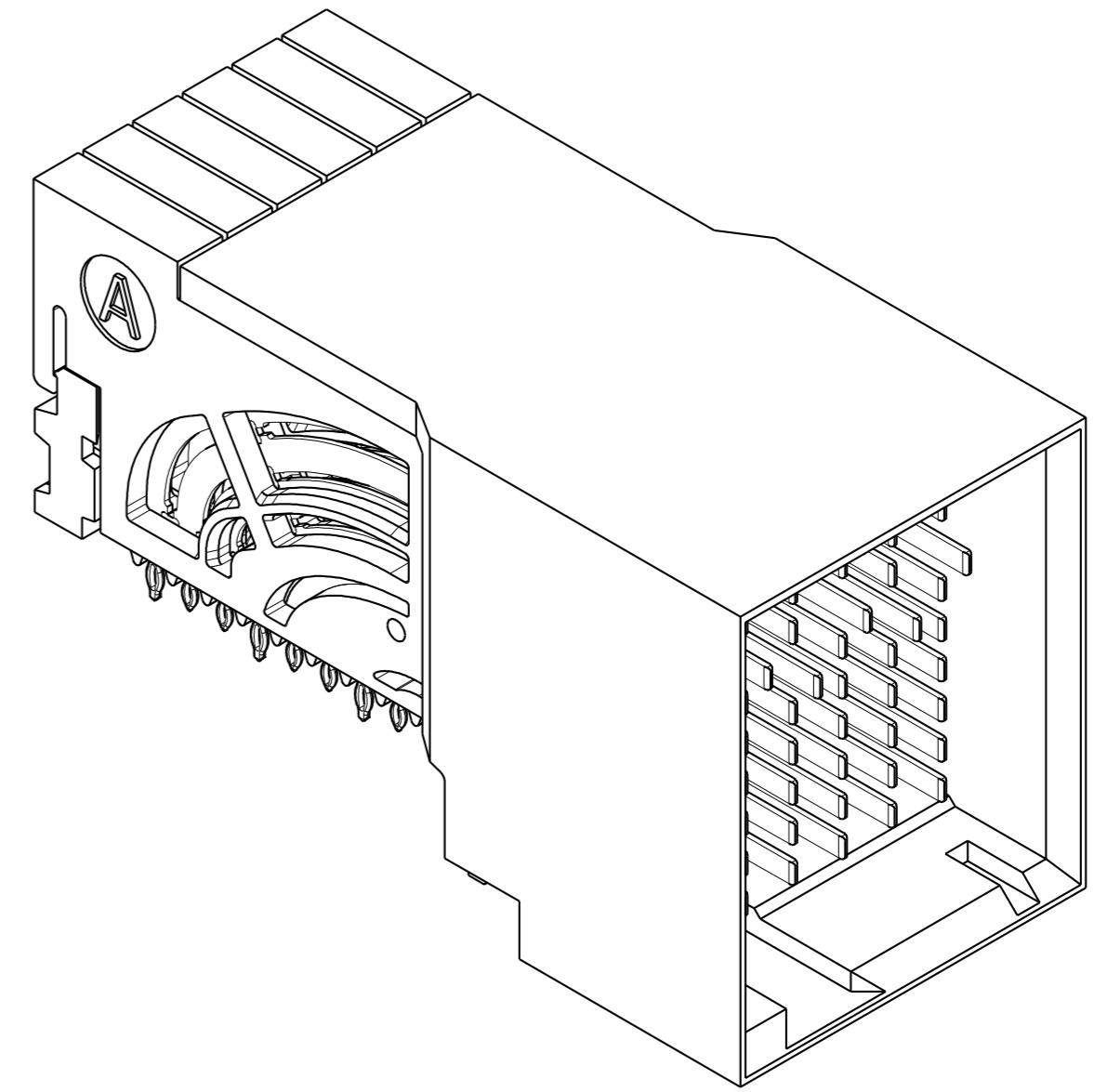


RECOMMENDED PCB LAYOUT
FOR DIFFERENTIAL APPLICATIONS
COMPONENT SIDE
(TWO ADJACENT FOOTPRINTS SHOWN)
NOTES 8 & 12

SCALE 10:1

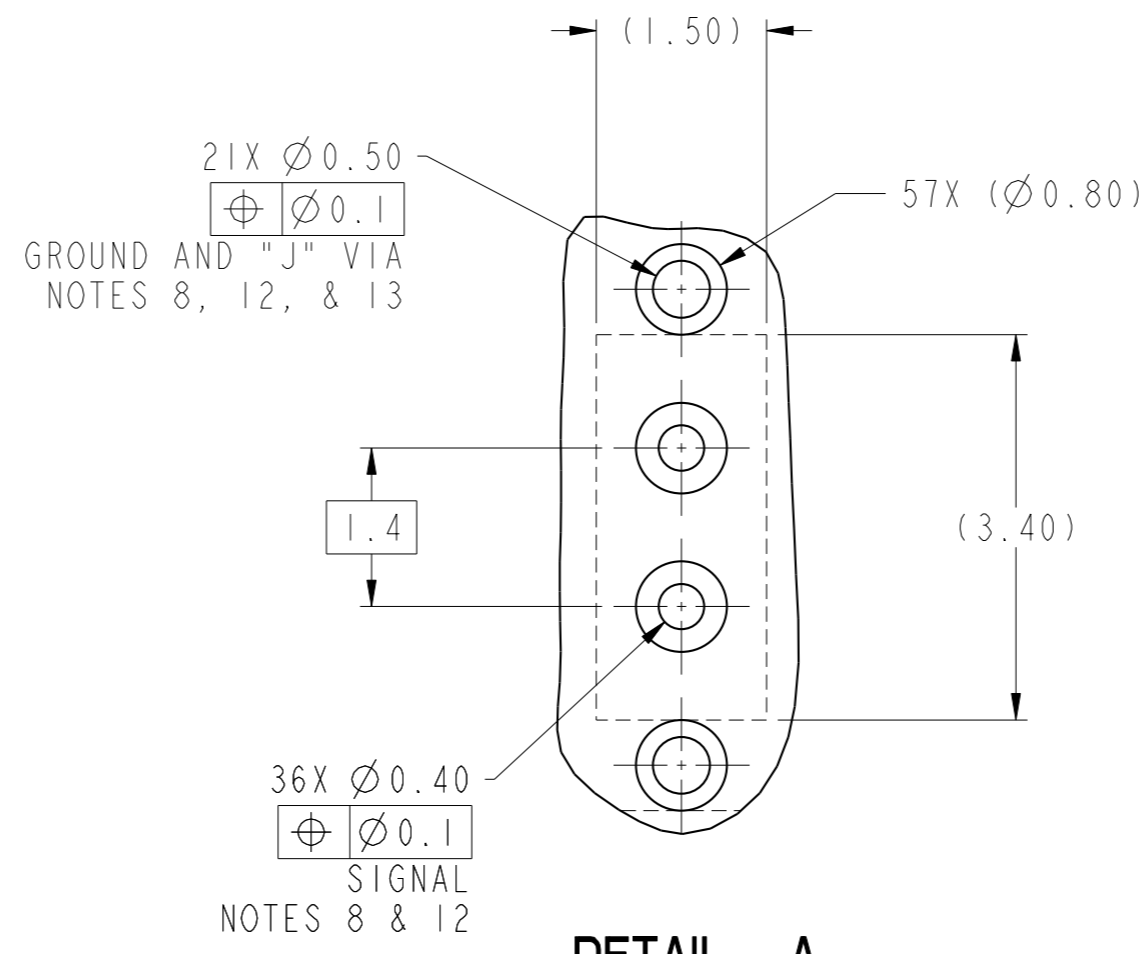
spec ref	---	dr	Lin-Soo Ngwe	2013/01/23	projection	MM	size	A2	scale	10:1
tolerance std	ASME Y14.5M	eng	Terry Luo	2020/09/08			ecn no	ELX-DG-38252-1		
TOLERANCES UNLESS OTHERWISE SPECIFIED		chr	-	appr			Heaven Cen	2020/09/17	rel level	Released
surface	✓	linear	0.X	±.3			product family	-		
			0.XX	±.15	Amphenol FCI		title	AirMax VS2 R.A. HEADER		
			0.XXX	±.050	Amphenol FCI		3 Pair, 54 pos, 2mm, 6Col, SPF, GXT+	dwg no	10124149	
		angular	0°	±2°	Amphenol FCI		cat. no.	-		Product - Customer Drw
					Amphenol FCI		rev	F		sheet 2 of 3

PRODUCT NUMBER	PRESS-FIT TAIL PLATING TYPE	SHORT DETECT CONTACT	REMARK
10124149-101	TIN/LEAD ALLOY OVER NICKEL	NO	1-SIDE PLATING (CUSTOMER SPECIAL)
10124149-101LF	TIN OVER NICKEL (LEAD FREE)		
10124149-111	TIN/LEAD ALLOY OVER NICKEL	YES (SEE NOTE 14)	
10124149-111LF	TIN OVER NICKEL (LEAD FREE)		
10124149-102	TIN/LEAD ALLOY OVER NICKEL	NO	2-SIDE PLATING
10124149-102LF	TIN OVER NICKEL (LEAD FREE)		
10124149-112	TIN/LEAD ALLOY OVER NICKEL	YES (SEE NOTE 14)	
10124149-112LF	TIN OVER NICKEL (LEAD FREE)		



10124149-101 OR -101LF

- 1 - CONNECTOR MATERIALS:
HOUSING: HIGH TEMP THERMOPLASTIC, NATURAL, UL94-V0
IMLA PLASTIC: HIGH TEMP THERMOPLASTIC, BLACK, UL94-V0
CONTACT: COPPER ALLOY
ORGANIZER: HIGH TEMP THERMOPLASTIC, NATURAL, UL94-V0
- 2 - CONTACT PLATING:
SEPARABLE INTERFACE:
PERFORMANCE-BASED PLATING, QUALIFIED TO MEET THE REQUIREMENTS OF FCI PRODUCT SPECIFICATION GS-12-0956 INCLUDING TELCORDIA GR-1217-CORE (NOVEMBER 1995) CENTRAL OFFICE TEST SEQUENCE
- PRESS-FIT TAILS: SEE TABLE
- 3 - PRODUCT SPECIFICATION: GS-12-0956
- 4 - APPLICATION SPECIFICATION: GS-20-0305
- 5 - PRODUCT MARKING, (PROTOTYPE, PART NUMBER & LOT CODE), ON THIS SURFACE.
- 6 - POSITIONS "F" OF ODD NUMBERED COLUMNS AND POSITIONS "G" OF EVEN NUMBERED COLUMNS CORRESPOND TO EARLY MATE HEADER PINS.
- 7 - CONNECTOR OUTLINE MAY BE SCREEN PRINTED ONTO CUSTOMER PCB TO BE USED AS A GUIDE FOR CONNECTOR PLACEMENT.
- 8 - REFER TO CUSTOMER DRAWING 10104444 FOR INFORMATION ON PCB HOLE DIAMETERS AND PLATING OPTIONS
- 9 - LEAD FREE PRODUCT MEETS THE EUROPEAN UNION DIRECTIVES & OTHER COUNTRY REGULATIONS AS DESCRIBED IN GS-22-008
- 10 - A \triangle SYMBOL WILL BE NEXT TO ANY DIMENSION, VIEW, OR NOTE, WHICH HAS BEEN MODIFIED WITH THE CURRENT DRAWING REVISION.
- 11 - PACKAGING MEETS GS-14-920 LEAD FREE LABELING SPECIFICATION.
- 12 - GROUND CONTACTS (C, F, & I IN ODD COLUMNS AND A, D, & G IN EVEN COLUMNS) REQUIRE ($\varnothing 0.50$) FINISHED HOLES. SIGNAL LOCATIONS REQUIRE ($\varnothing 0.40$) FINISHED HOLES
- 13 - THESE OUTER VIAS (J) ARE OPTIONAL. WHILE NO CONNECTOR EONS ARE PRESSED INTO THESE HOLES WE RECOMMEND ($\varnothing 0.500$) FINISHED HOLES AT THESE LOCATIONS TO PROVIDE GROUND SYMMETRY THROUGH THE PCB.
- 14 MATING PIN E4 HAS 0.5mm LESS NOMINAL WIPE THAN THE SHORTEST PIN.



DETAIL A SCALE 15:1

spec ref	---	dr	Lin-Soo Ngwe	2013/01/23	projection	MM	size	A2	scale	10:1	
tolerance std	ASME Y14.5M	eng	Terry Luo	2020/09/08	chr	-	ecn no	ELX-DG-38252-1	rel level	Released	
TOLERANCES UNLESS OTHERWISE SPECIFIED		appr	Heaven Cen	2020/09/17	product family	-	cat. no.	-	Product - Customer Drw	sheet 3 of 3	
surface	linear	0.X	±.3	Amphenol FCI	title		AirMax VS2 R.A. HEADER	dwg no	10124149	rev	F
		0.XX	±.15		3 Pair, 54 pos, 2mm, 6Col, SPF, GXT+						
		0.XXX	±.050								
	angular	0°	±2°								