

12VDC 2A UK Power Supply



TIGER PART: TP1005

Features:

- Supplied with fixed UK pins
- Universal 100-240vac input voltage
- Level VI efficiency
- Approved to latest EN62368-1 safety standard
- CE marked and confirms with UKCA requirement



Part number:	TP1005
Input voltage:	100-240vac (90-264vac max.)
Input frequency:	47 - 63Hz
Output voltage:	12vdc
Current:	2000mA (2 amp)
Power :	24 Watts
Protection:	Short Circuit, Over voltage
Dimensions:	59 x 48 x 29mm
Cord length:	1.5 metres
DC connector:	2.1 x 5.5 x 12mm (Female)
Polarity:	+ve (positive) centre
Leakage current:	<0.25mA
Operating temperature:	0°C to + 40°C

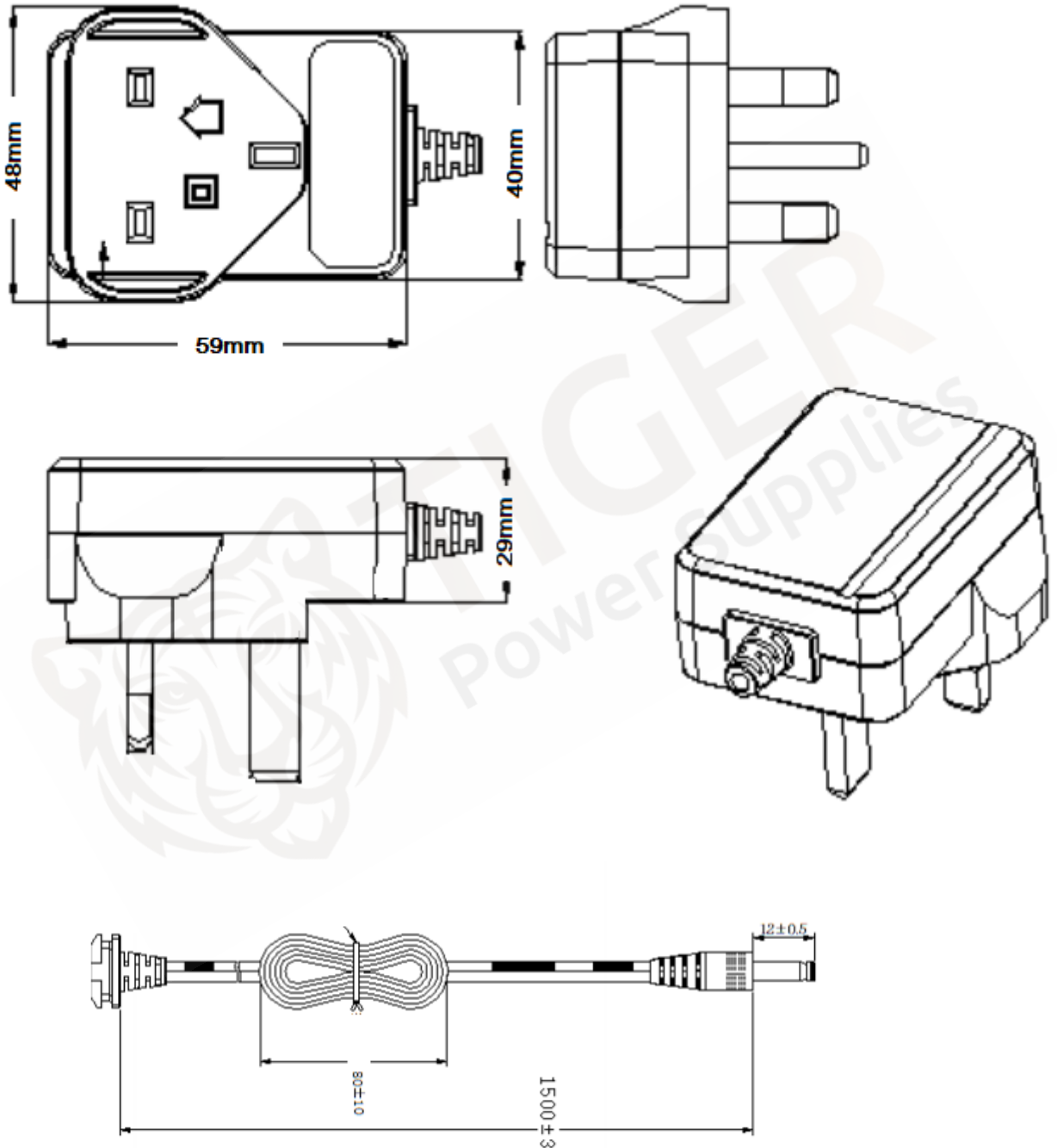
TIGER POWER PRODUCTS – QUALITY & RELIABILITY

This specification is not for general release or circulation. Tiger Power reserves the right to make changes to spec. or product without notice or liability.

12VDC 2A UK Power Supply



TIGER PART: TP1005



TIGER POWER PRODUCTS – QUALITY & RELIABILITY

This specification is not for general release or circulation. Tiger Power reserves the right to make changes to spec. or product without notice or liability.