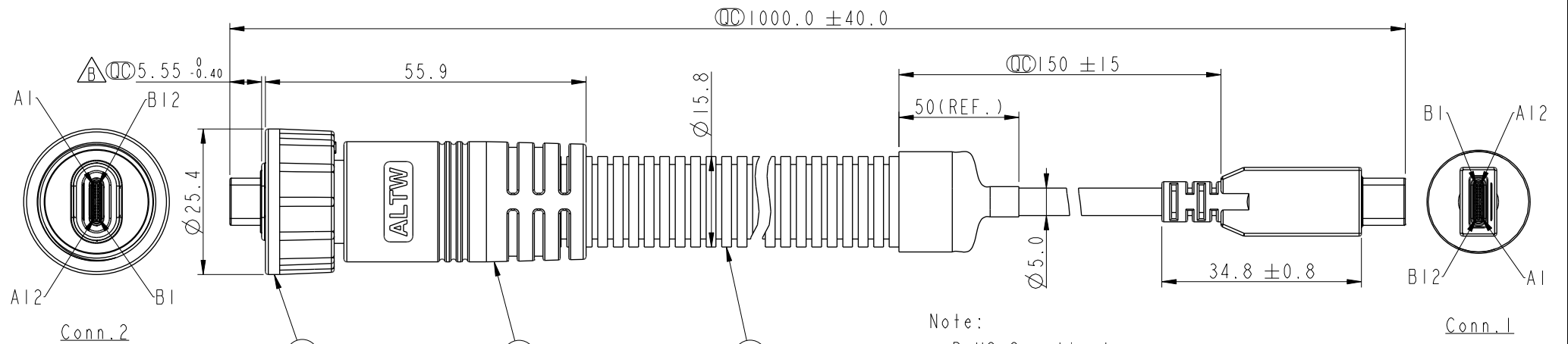



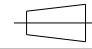
THIS DOCUMENT IS SUBJECT TO CHANGE WITHOUT NOTICE. IT IS CONFIDENTIAL AND A PROPERTY OF AMPHENOL LTW. DISCLOSURE TO THIRD PARTY HAS TO BE AUTHORIZED BY AMPHENOL LTW.

REV.	ECN NO.	DATE	SIGN	DESCRIPTION
A		2021-03-29	Allen Pan	Rev.01 To Rev.A
B	C210713	2021-05-04	Allen Pan	$\triangle B$ x4



Note:

- * RoHS Compliant
- * \varnothing Important Dimension
- $\triangle B$ * C1
Waterproof Rate: Non-Waterproof
USB Type C 3.2 Gen1, Plug
With electronic marking(e-Mark)
- $\triangle B$ * C2
Waterproof Rate: IPX7, Mated
USB Type C 3.2 Gen1, Plug
Housing: Thermoplastic, Black
Gasket: Rubber, Black
Nut: Metal
Outer Mold: Thermoplastic, Black
- * Plastic Conduit: Thermoplastic, OD=15.8mm, Black
- $\triangle B$ * Cable: USB3.2 Gen1 UL2725(IP*30#+D+AL+ML)*4C+2P*32#+2C*32#+IC*24#+AL+D+B OD=5.0mm, PVC Jacket, Black
- * Support for USB Power Delivery

UNIT:mm  
TOLERANCE
 ± 0.5 mm

TITLE ACC, USB, C TYPE SHLD, DB-ENDED, FM			
SCALE 1:1	SIZE A4	SHEET 1 OF 2	
REV. B	WC-REV. A.1	\varnothing : Inspection item	

Amphenol LTW
安費諾亮泰企業股份有限公司

ITEM NO. USC30FL-NCML-SC001	DRAWN BY Allen Pan	DATE 2021-03-29
DWG NO. USC30FL-NCML-SC001	CHECKED BY Sam Ho	DATE 2021-03-29
CUSTOMER ALTW	APPROVED BY Fred Lee	DATE 2021-03-29

F

E

D

C

B

A

Shell	Braid	Shell	
A1,B1,A12,B12	Ground-Drain - Black 黑	A1,B1,A12,B12	
	10nF 0402	10nF 0402	
A4,B4,A9,B9	VBUS-Power - Red 紅	A4,B4,A9,B9	
A5	CC - Blue 藍	A5	
A6	UTP_D - Green 綠	A6	Twisted
A7	UTP_D - White 白	A7	
A2	SDPP1 - Red 紅	B11	Twisted
A3	SDPN1 - White 白	B10	
Drain	SDPP1 & SDPN1	Drain	
B11	SDPP2 - Blue 藍	A2	Twisted
B10	SDPN2 - Black 黑	A3	
Drain	SDPP2 & SDPN2	Drain	
B2	SDPP3 - Brown 棕	A11	Twisted
B3	SDPN3 - Orange 橘	A10	
Drain	SDPP3 & SDPN3	Drain	
A11	SDPP4 - Green 綠	B2	Twisted
A10	SDPN4 - Yellow 黃	B3	
Drain	SDPP4 & SDPN4	Drain	
A8	SBU - Red 紅	B8	Twisted
B8	SBU - Black 黑	A8	
B5	NO Connection	B5	
Conn.2	Wire Color	Conn.1	
Pin Out			

UNIT:mm		
TOLERANCE	± 0.5 mm	

TITLE ACC, USB, C TYPE SHLD, DB-ENDED, FM		
SCALE 1:1	SIZE A4	SHEET 2 OF 2
REV. B	WC-REV. A.1	Inspection item

Amphenol LTW
安費諾亮泰企業股份有限公司

ITEM NO USC30FL-NCML-SC001	DRAWN BY Allen Pan	DATE 2021-03-29
DWG NO USC30FL-NCML-SC001	CHECKED BY Sam Ho	DATE 2021-03-29
CUSTOMER ALTW	APPROVED BY Fred Lee	DATE 2021-03-29