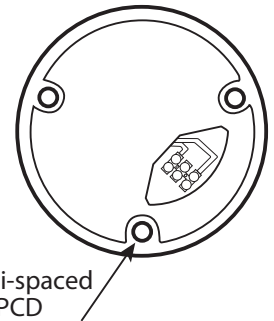
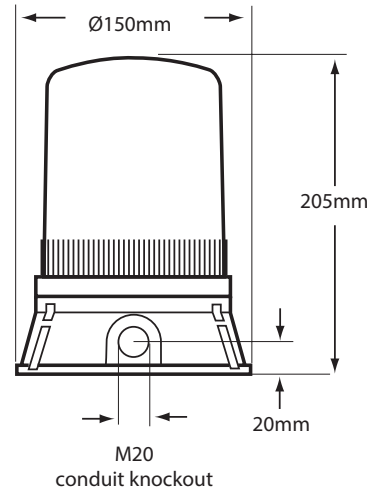


# Visual Signals - Industrial LIGHT EMITTING DIODE BEACONS



## Industrial LED Flashing Rotating Static Beacons > LED401/400 Series

### Product overview

The LED401/400 series are suitable for security, process control & industrial applications, where low maintenance and long life are the pre-requisite requirement.

These beacons offer four modes of operation selected by a four way switch on the PCB:

1. Continuous mode
2. Flashing mode at 1Hz
3. Rotating mode: Twin column
4. Rotating mode: Single column

An advantage of the continuous mode is that it can be controlled via a remote source (ie. control panel / plc etc) offering the potential of a remote flashing option. The design allows for termination inside the enclosure through the base.

### LED401/400 Series > Ordering Information

Code No:	Voltage:	Colours:	Current:		
			Flashing	Rotating	Static
LED401-02	24v Dc ---	Red & Amber	210mA	130mA	440mA
		Green, Blue & Clear	115mA	50mA	230mA
LED400-04 •	90-370v Dc ---	Red & Amber	110/55mA	50/25mA	200/100mA
	70-265v Ac ~	Green, Blue & Clear	65/40mA	27/20mA	120/59mA

Note: Current consumption is an average over a 60 second cycle

- All Colours @ 115/230v Ac ~
- Red/Amber in Static Mode @ 280v Dc is 40mA

ADD THE FOLLOWING LENS CODES TO THE PRODUCT WHEN ORDERING



- Continuously rated
- Incorporates an 144 off extra bright LED array
- Suitable for surface or wall mounting
- Optional wall bracket & guard available - see accessories
- M20 conduit side entry or bottom cable entry.
- 360° light output around the vertical axis.
- Dustproof and Weatherproof

### Material

UV Stable Polycarbonate Lens  
UV Stable ABS Plastic Base

**Kg** 0.52 Ac  
0.47 Dc

50/60 **Hz**

°C -25+55

**IP 65**

**FPM 60**

**RPM 140**

APPROVALS and  
CONFORMITIES

