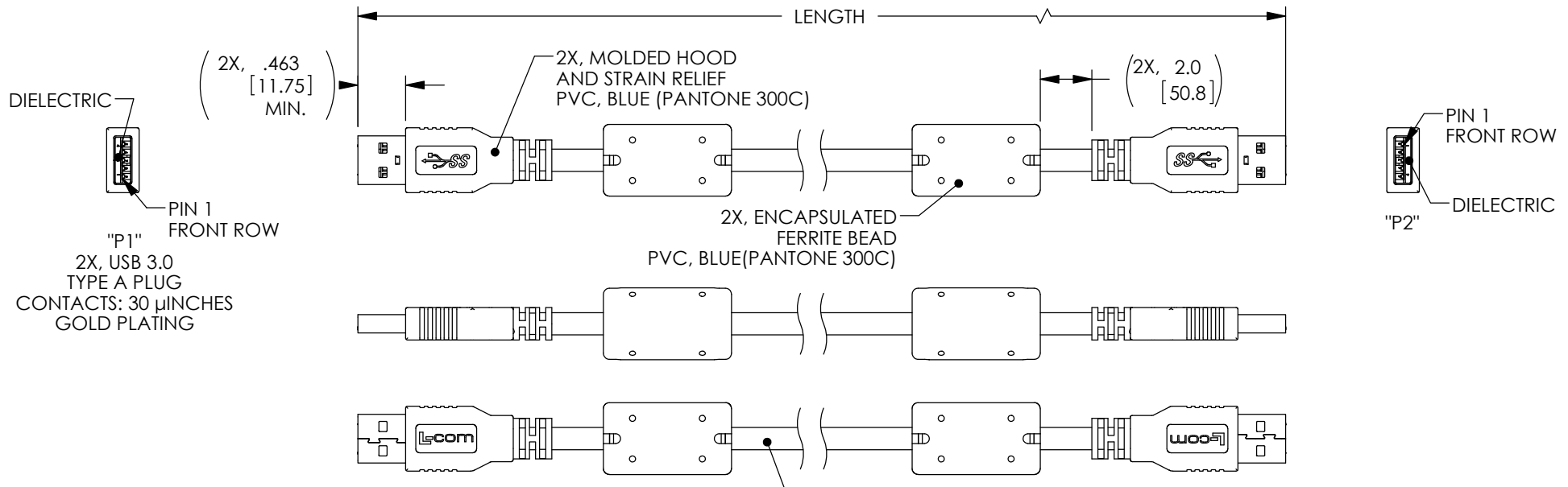


THE INFORMATION CONTAINED IN THIS DRAWING IS THE SOLE PROPERTY OF L-COM, INC. ANY REPRODUCTION IN PART OR WHOLE WITHOUT THE WRITTEN PERMISSION OF L-COM, INC. IS PROHIBITED.

REVISIONS			
REV	DESCRIPTION	DATE	APPROVED
A	INITIAL RELEASE	06/05/17	J.LABOY



"P1"	WIRING MAP	"P2"
1	RED	1
2	WHITE	2
3	GREEN	3
4	BLACK	4
5	BLUE	8
6	YELLOW	9
7	DRAIN WIRE	7
8	PURPLE	5
9	ORANGE	6
SHELL	BRAID	SHELL

**NOTES:**

1. CABLE ASSEMBLY SHALL BE TESTED FOR CONTINUITY.
2. CABLE ASSEMBLY SHALL HAVE 360° SHIELD TERMINATION.
3. CABLE ASSEMBLY MUST MEET USB 3.0 REQUIREMENTS.
4. CABLE ASSEMBLY SHALL BE INDIVIDUALLY PACKAGED IN ACCORDANCE WITH L-COM SPECIFICATION PS-0031.

**REGULATORY COMPLIANCE:**  
CE2011/65/EU(RoHS DIRECTIVE)

PART NUMBER	LENGTH METERS [FEET]
U3A00008-05M	0.5 [1.64]
U3A00008-1M	1.0 [3.28]
U3A00008-105M	1.5 [4.92]

UNLESS OTHERWISE SPECIFIED, DIMENSIONS ARE IN INCHES [mm] OVERALL CABLE LENGTH TOLERANCE: ≤12 [305] = +1 [25] / -0 >12 [305] ≤60 [1524] = +2 [51] / -0 >60 [1524] ≤120 [3048] = +4 [102] / -0 >120 [3048] ≤300 [7620] = +6 [152] / -0 >300 [7620] = +5% / -0%	APPROVALS	DATE			50 HIGH STREET NORTH ANDOVER, MA 01845	
	DRAWN BY S.LI	04/28/2017			CATEGORY	USB
ALL OTHER DIMENSIONAL TOLERANCES: .X = ± .2 [5.08] .XX = ± .02 [1.51] .XXX = ±.005 [1.13]	CHECKED BY B.ZHANG	04/28/2017	<b>PRODUCT DESCRIPTION</b> <b>CA, USB 3.0 TYPE A/A W/FERRITE</b>			
	APPROVED BY S.PAN	04/28/2017				<table border="1"> <tr> <td>SIZE <b>A</b></td> <td>FSCM NO. <b>43321</b></td> <td>DWG. NO. <b>U3A00008</b></td> <td>REV. <b>A</b></td> </tr> </table>
SIZE <b>A</b>	FSCM NO. <b>43321</b>	DWG. NO. <b>U3A00008</b>	REV. <b>A</b>			
PROJECTION 	CONFIGURATION DETAILS OF UNDIMENSIONED FEATURES MAY VARY		SCALE: NONE			
COLOR VARIATIONS MAY OCCUR		CAD FILE: U3A00008.SLDDRW		SHEET 1 OF 1		