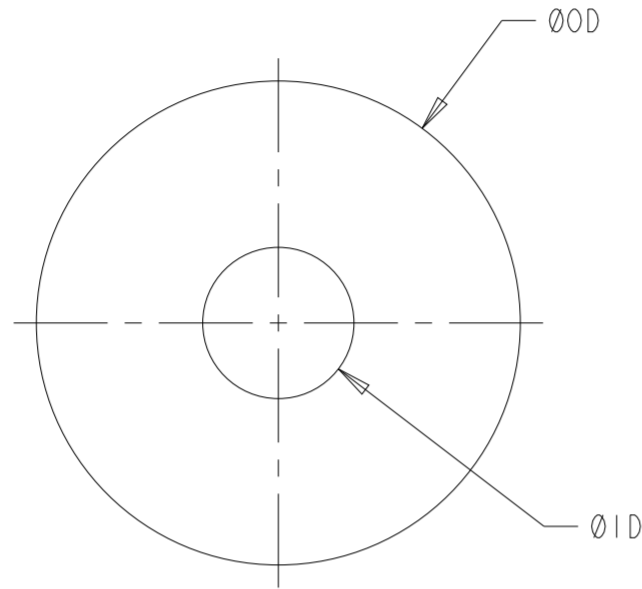


REVISIONS

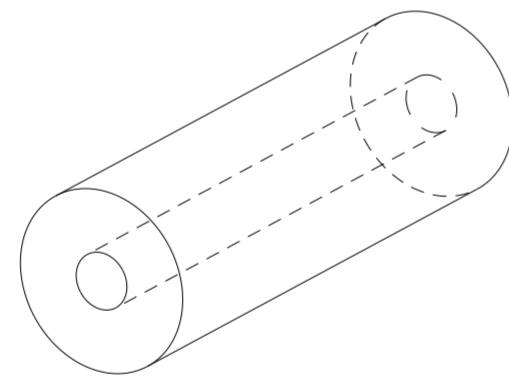
P	LTR	DESCRIPTION	DATE	DWN	APVD
A		NEW DRAWING	16MAY2022	BDA	DH
AI		ADDED NEW PART NUMBERS	16JUN2022	BDA	DH

GENERAL TOLERANCES:
 0 - 2mm = ±0.1mm
 2.1mm - 5mm = ±0.15mm
 5.1mm - 9mm = ±0.2mm



MATERIAL SPECIFIC DATA TABLE

	SNG	SSA	FNG	FSA
RECOMMENDED OPERATING TEMPERATURE RANGE (°C)	-55 to 160	-55 to 160	-55 to 160	-55 to 160
SPECIFIC GRAVITY ± 13%	2.000	2.000	2.200	2.000
SHORE A HARDNESS ± 7	65	65	65	70
MAXIMUM VOLUME RESISTIVITY (Ω.CM)	0.05	0.008	0.05	0.012



ISOMETRIC VIEW (NTS)

LIGHT GREEN	3.2	1.1	FLUROSILICONE SILVER ALUMINIUM	1202-FSA-0032-0011	2418221-1	1202-FSA-0032-0011-1	2420757-1
LIGHT GREEN	2.6	1.1	FLUROSILICONE SILVER ALUMINIUM	1202-FSA-0026-0011	2418220-1	1202-FSA-0026-0011-1	2420756-1
LIGHT GREEN	1.6	0.5	FLUROSILICONE SILVER ALUMINIUM	1202-FSA-0016-0005	2418219-1	1202-FSA-0016-0005-1	2420755-1
DARK GREEN	3.2	1.1	FLUROSILICONE NICKEL GRAPHITE	1202-FNG-0032-0011	2418218-1	1202-FNG-0032-0011-1	2420754-1
DARK GREEN	2.6	1.1	FLUROSILICONE NICKEL GRAPHITE	1202-FNG-0026-0011	2418217-1	1202-FNG-0026-0011-1	2420753-1
DARK GREEN	1.6	0.5	FLUROSILICONE NICKEL GRAPHITE	1202-FNG-0016-0005	2418216-1	1202-FNG-0016-0005-1	2420752-1
BEIGE	3.2	1.1	SILICONE SILVER ALUMINIUM	1202-SSA-0032-0011	2418198-1	1202-SSA-0032-0011-1	2420743-1
BEIGE	2.6	1.1	SILICONE SILVER ALUMINIUM	1202-SSA-0026-0011	2418197-1	1202-SSA-0026-0011-1	2420742-1
BEIGE	1.6	0.5	SILICONE SILVER ALUMINIUM	1202-SSA-0016-0005	2418196-1	1202-SSA-0016-0005-1	2420741-1
DARK GREY	3.2	1.1	SILICONE NICKEL GRAPHITE	1202-SNG-0032-0011	2418195-1	1202-SNG-0032-0011-1	2420740-1
DARK GREY	2.6	1.1	SILICONE NICKEL GRAPHITE	1202-SNG-0026-0011	2418194-1	1202-SNG-0026-0011-1	2420739-1
DARK GREY	1.6	0.5	SILICONE NICKEL GRAPHITE	1202-SNG-0016-0005	2418098-1	1202-SNG-0016-0005-1	2420738-1
COLOUR	ØOD	ØID	MATERIAL	10 METER LENGTH ALIAS PART NUMBER	10 METER LENGTH PART NUMBER	1 METER LENGTH ALIAS PART NUMBER	1 METER LENGTH PART NUMBER

THIS DRAWING IS A CONTROLLED DOCUMENT.

DIMENSIONS: mm

TOLERANCES UNLESS OTHERWISE SPECIFIED:

0 PLC	±
1 PLC	±
2 PLC	±
3 PLC	±
4 PLC	±
ANGLES	±
FINISH	-

MATERIAL: SEE TABLE

APPROVALS:

DWN	16MAY2022	BASAVARAJA D.A.
CHK	16MAY2022	B. SELVAPANDIAN
APVD	16MAY2022	D. HEMMINGS

PRODUCT SPEC: -

APPLICATION SPEC: -

WEIGHT: -

CUSTOMER DRAWING

SCALE: 40:1

SHEET: 1 OF 1

REV: AI

NAME: 1202-ECE EXTRUDED TUBE-SERIES

SIZE: A2

CAGE CODE: 00779

DRAWING NO: 1202-ECE-TUBE

RESTRICTED TO: -

TE Connectivity