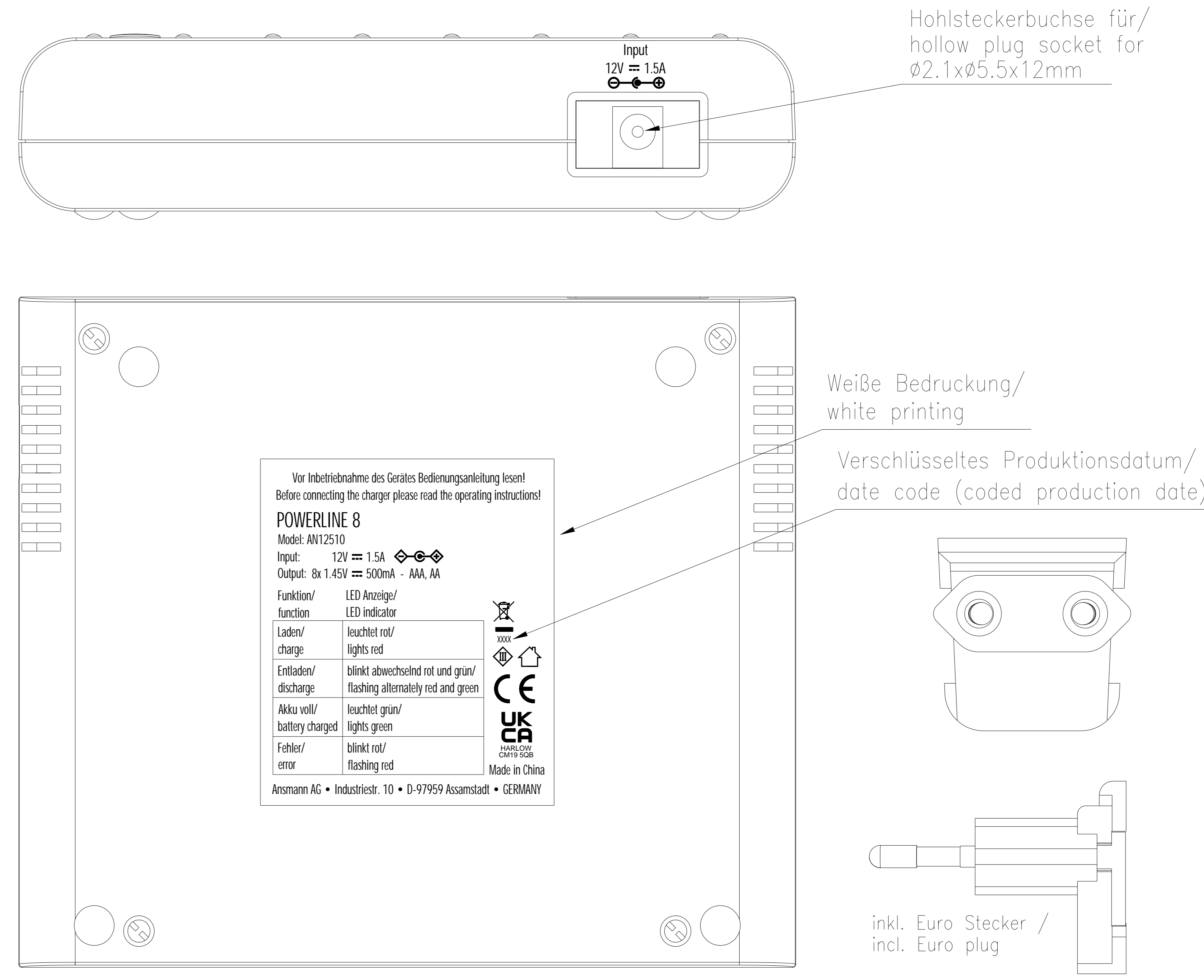
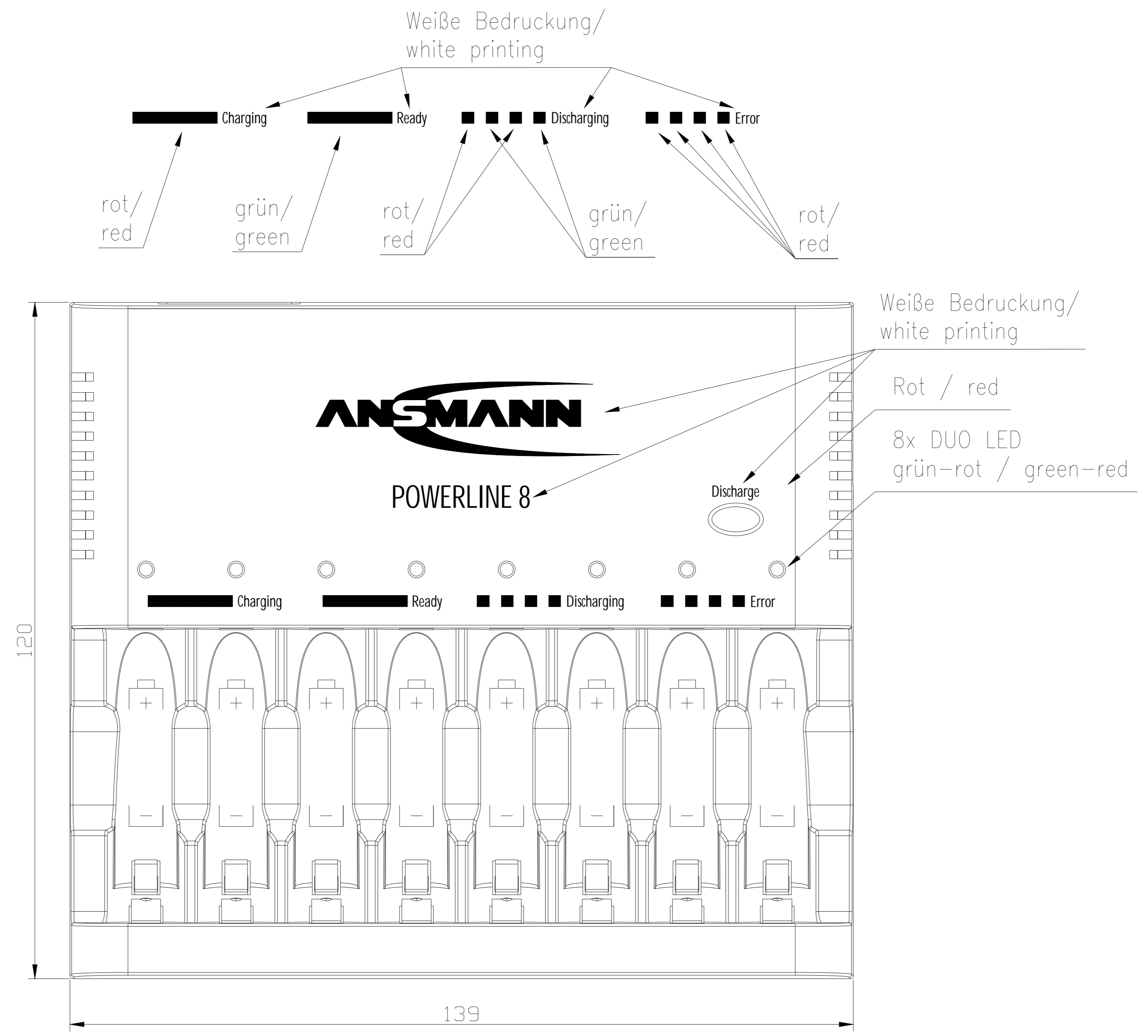
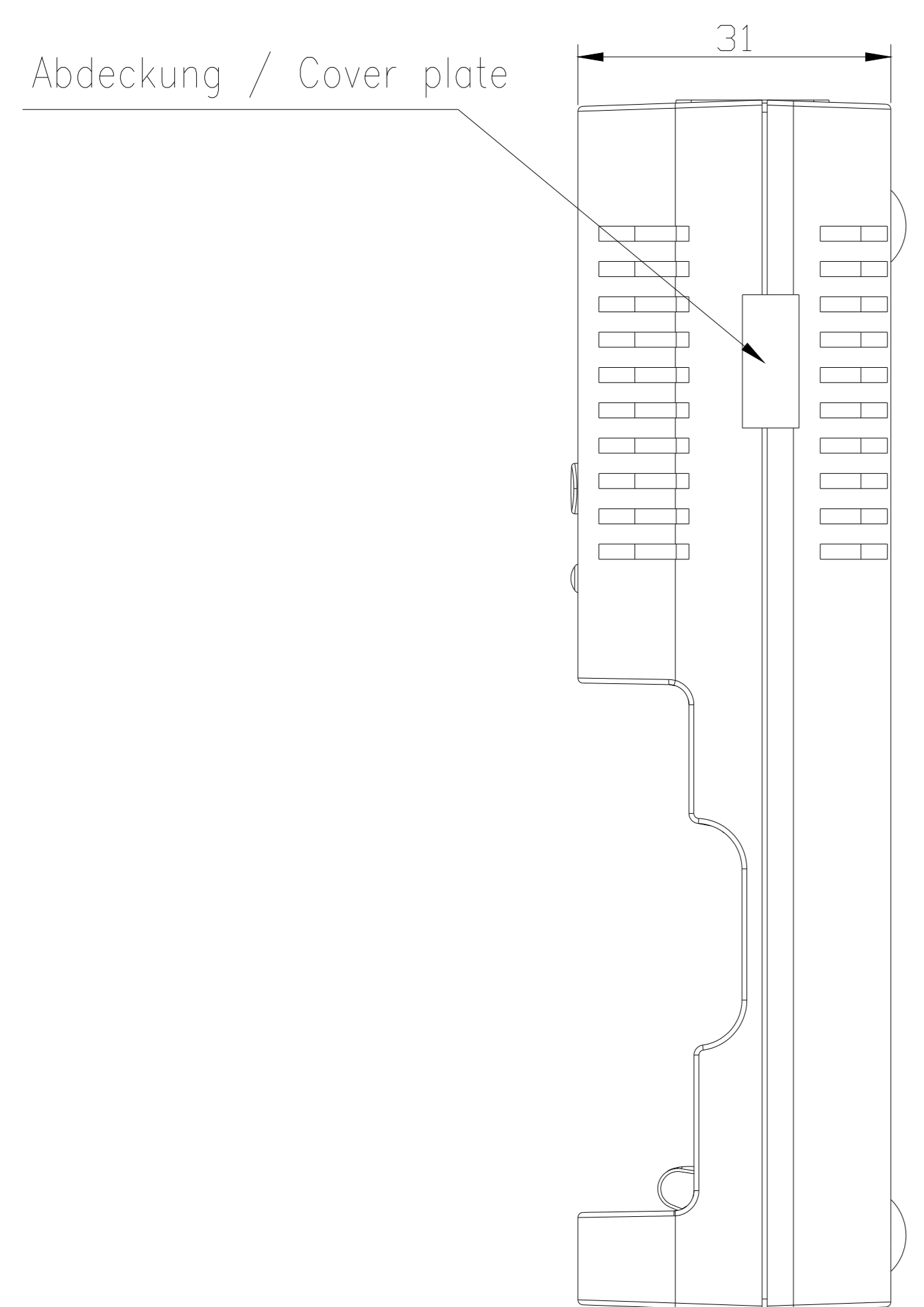
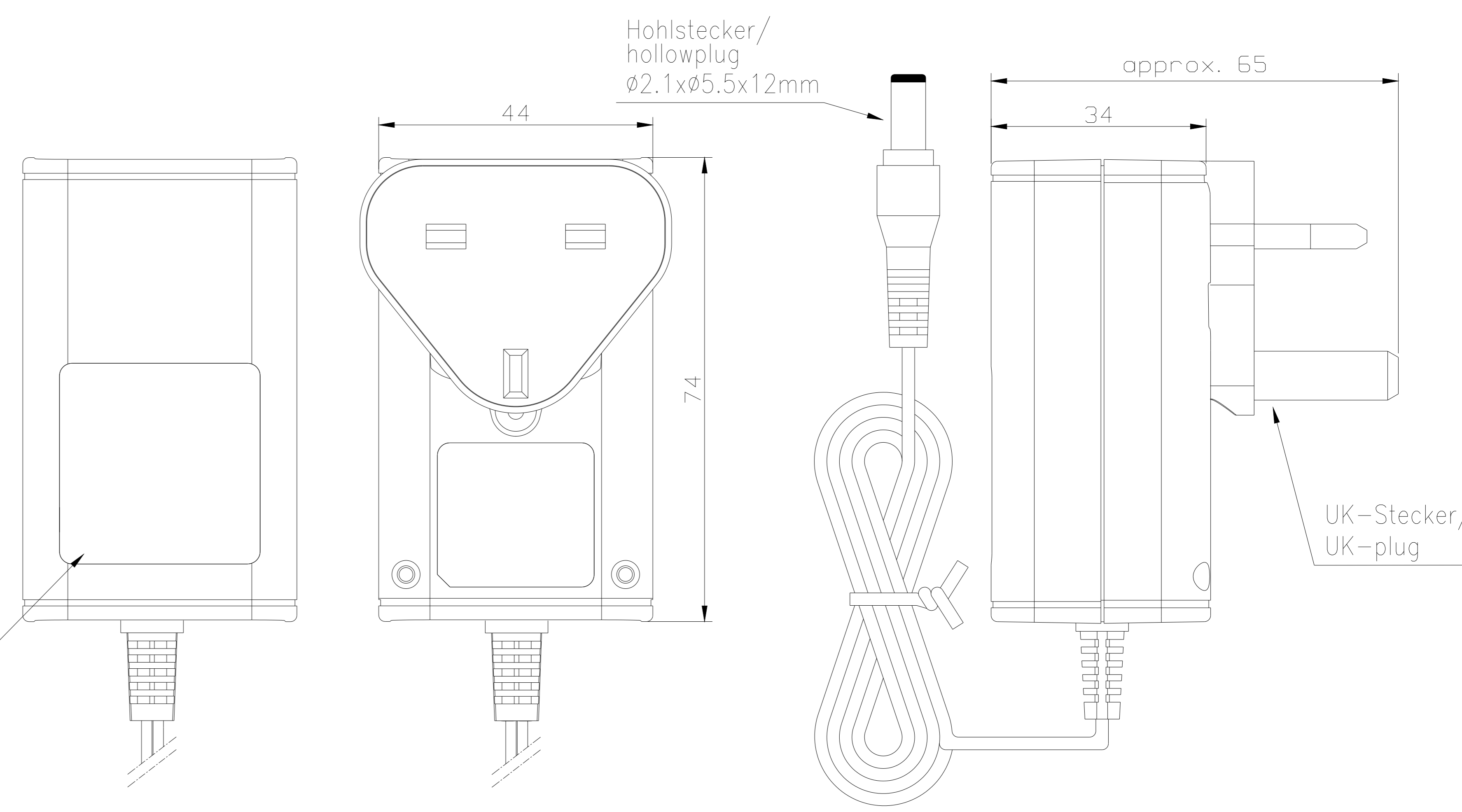


The supplier acknowledges that, with the exception of the drawings, he is in a position to manufacture the illustrated part in accordance with the drawings regardless of form and series production. Through the selective manufacturing process no impairments will arise in the material and surface which would subsequently lead to an impairment of the component. Verbal agreements over and above that are not valid. Drawings from this rule must be signed by the purchaser.



Technische Daten Ladegerät/ technical data charger	
Eingangsdaten/ input data	: 12V DC 1.5A
Ausgangsdaten/ output data	: 8 x 1.45V = Rundzellen AA oder AAA/ cylindrical batteries AA or AAA
Ladestrom/ charging current	: 8x 500mA ±20%
Entladestrom/ discharging current	: 8x 200mA ±20%
Vollerkennung/ battery full detection	: -dU
Erhaltungsladung/ trickle charge	: 25mA ±20%
Entladeschlussspannung/ discharge end voltage	: 1V ±5%
max. Spannung/ max. Voltage	: für Rundzellen/ for cylindric cells 1.75V +10%
Sicherheitstimer/ safety timer	: 8h ±15% für Rundzellen/ for roundcells
Ausgangsschutz/ output protection	: mechanischer Verpolschutz/ mechanical reverse-connection protection
Schutzart/ protection	: IP20
Betriebstemperatur/ operating temperature	: 0°C.....+25°C
Lagertemperatur/ storage temperature	: -25°C.....+70°C
Approbation/ approval	: CE
Gehäuse/ housing	: Tischladegerät/ desktop charger
Gehäusematerial/ housing material	: ABS
Gewicht/ weight	: xxg
Verpackung/ package	: Farbige Faltschachtel inkl. mehrsprachiger Bedienungsanleitung/ coloured folding box incl. multilingual operating instruction

Technische Daten Netzteil/ technical data power supply	
Eingangsdaten/ input data	: 100 - 240V AC ±10% 50/60Hz 350mA
Ausgangsdaten/ output data	: 12V DC 1.5A
Gehäuse/ housing	: schwarzes Steckergehäuse mit weißer Bedruckung/ black plug-in housing with white printing
Gehäusematerial/ housing material	: UL94V-0
LED Anzeige/ LED indication	
Laden/ charging	: rote LED leuchtet dauerhaft/ red LED lights steady
Erhaltungsladung/ trickle charge	: grüne LED leuchtet dauerhaft/ green LED lights steady
Entladen/ discharging	: LED blinkt abwechselnd rot und grün/ LED flashing alternately red and green
Fehler/ error	: LED blinkt rot/ LED flashing red



Print the label and power supply according to housing printing document with part no.: 1000-0025

Verwendungsbereich/Application range für Anfrage/for inquiry AN12510UK		Zul. Abweichung/ Allowable deviation	Oberfläche/ Surface	Maßstab/Scale (DIN A2): 1:1	Gewicht/Weight
V8	USB Port removed	30.05.22	KA	Allgemeintoleranz DIN ISO 2768-m	Werkstoff/Work material, Modell-Nr.
V7	UKCA updated	10.11.21	SIT		
V6	UKCA added, printing updated	11.02.21	KA	Erstellt/ Drawn by	27.10
V4	PSU printing removed	15.04.19	KA		
V3	GS removed	09.08.18	KA	Name	SP
V2	date code changed and adress added	12.12.13	CF		
V1	label printing updated	30.09.13	CB	Datum/Date	Name
V0	printing of the label changed	08.08.13	CB		
V0	---	06.02.13	CB		
Version	Änderung/Change	Datum/Date	Name	Ursprung/Origin	Proj. 003/04/12

Zeichnungsnummer/Drawing number Artikelnummer/Part number		Blatt/ Sheet
1001-0006-UK		1
Ersatz für/Replaced by		Ersatz durch/Replacement through