

Terminal, iPo plug-in terminal, installation terminal, through-type terminal, 6 mm², blue



Model	
product brand name	SENTRON
product designation	Terminal blocks
design of the product	iPo through-type terminal
design of terminal terminal levels internally linked	No
General technical data	
terminal contact spacing	8 mm
operating voltage rated value	800 V
Protection class	
combustibility class according to UL 94	V0
Main circuit	
operational current rated value	41 A
Appearance	
color	blue
Product details	
product component required end cover plate	Yes
Number	
number of terminal levels	1
number of terminal points per terminal level	2
Connections	
connectable conductor cross-section solid	
• minimum	0.5 mm ²
• maximum	10 mm ²
connectable conductor cross-section stranded	
• minimum	0.5 mm ²
• maximum	10 mm ²
connectable conductor cross-section finely stranded	
• with core end processing minimum	0.5 mm ²
• with core end processing maximum	6 mm ²
• without core end processing minimum	0.5 mm ²
• without core end processing maximum	10 mm ²
type of connection 1	plug terminal connection
type of connection 2	plug terminal connection
position of the terminal	top
Mechanical Design	
height	48.5 mm
height with lowest-profile installation	66 mm
depth	48.5 mm
length	66 mm

fastening method	TH35 DIN rail
Net Weight	16 g
material of the insulating body	Other
Environmental conditions	
ambient temperature during operation	
• minimum	-60 °C
• maximum	105 °C

Approvals Certificates		
Environment	General Product Approval	other

[Environmental Con-
firmations](#)

[Environmental Con-
firmations](#)



[Confirmation](#)



[Confirmation](#)

other



Further information

Information on the packaging

<https://support.industry.siemens.com/cs/ww/en/view/109813875>

Information for data generation and storage

<https://support.industry.siemens.com/cs/ww/en/view/109995012>

Information- and Downloadcenter (Catalogs, Brochures,...)

<https://www.siemens.com/lowvoltage/catalogs>

Industry Mall (Online ordering system)

<https://mall.industry.siemens.com/mall/en/en/Catalog/product?mlfb=8WH6001-0AH01>

Service&Support (Manuals, Certificates, Characteristics, FAQs,...)

<https://support.industry.siemens.com/cs/ww/en/ps/8WH6001-0AH01>

Image database (product images, 2D dimension drawings, 3D models, device circuit diagrams, ...)

https://www.automation.siemens.com/bilddb/cax_en.aspx?mlfb=8WH6001-0AH01

CAX-Online-Generator

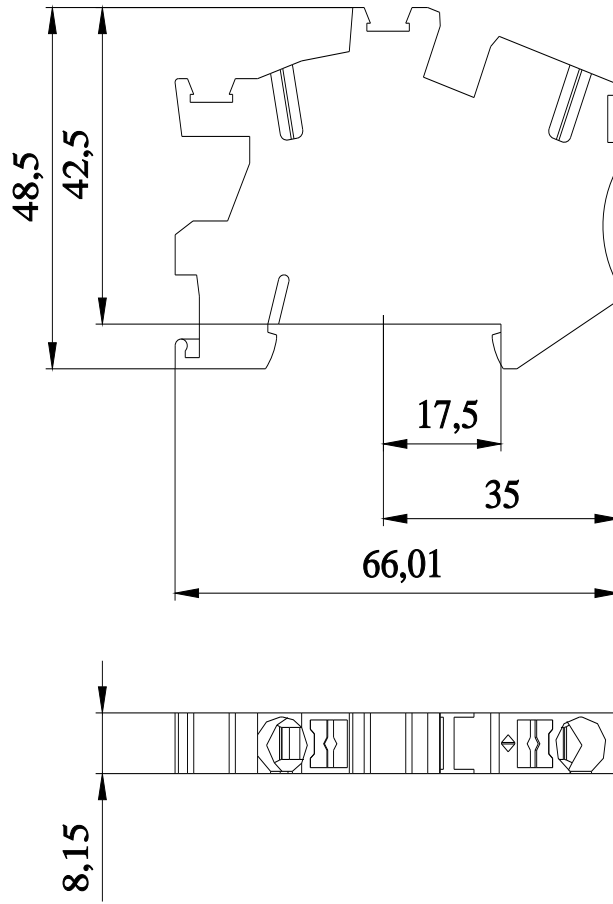
<https://www.siemens.com/cax>

Tender specifications

<https://www.siemens.com/specifications>

Characteristic curves

[https://curves.simaris.siemens.com/curves/<mmp_prod_noCOMP="HAUPT"></mmp_prod_no>](https://curves.simaris.siemens.com/curves/<mmp_prod_noCOMP=)



last modified:

6/15/2025 