



Bracket for base mounting, accessory for signaling columns, with diameter 70 mm

product brand name	SIRIUS
product designation	Bracket
design of the product	for base mounting
<b>General technical data</b>	
reference code according to EN 61346-2	U
<b>Enclosure</b>	
height	57 mm
width	55 mm
depth	76.5 mm
material	PA
color	black
fastening method	base mounting
protection class IP	IP65
<b>Ambient conditions</b>	
ambient temperature during operation	-20 ... +50 °C
<b>Approvals Certificates</b>	
General Product Approval	other



[Confirmation](#)



[Confirmation](#)

[Confirmation](#)

other	Environment
-------	-------------

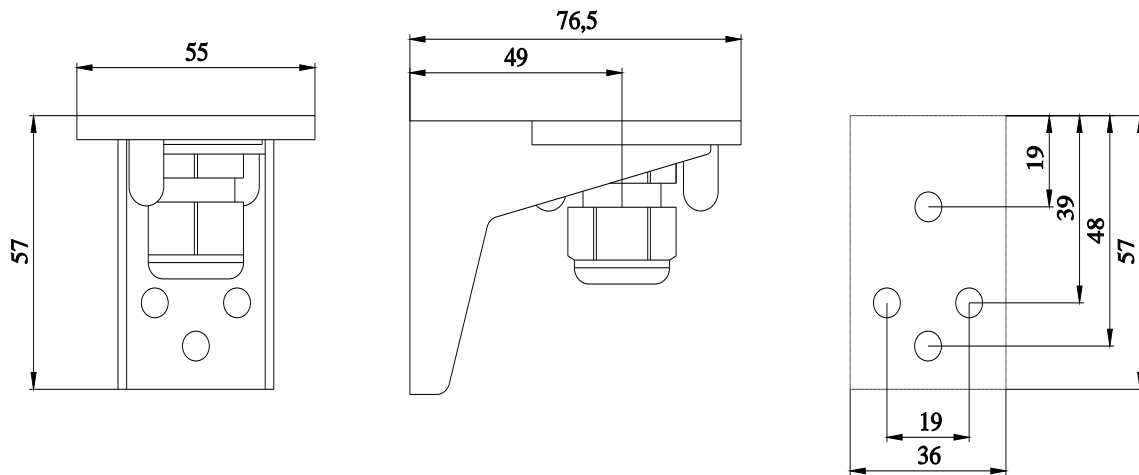


[Environmental Confirmations](#)



**Further information**

- Information on the packaging  
<https://support.industry.siemens.com/cs/ww/en/view/109813875>
- Information for data generation and storage  
<https://support.industry.siemens.com/cs/ww/en/view/109995012>
- Information- and Downloadcenter (Catalogs, Brochures,...)  
<https://www.siemens.com/ic10>
- Industry Mall (Online ordering system)  
<https://mall.industry.siemens.com/mall/en/en/Catalog/product?mlfb=8WD4408-0CD>
- Cax online generator  
<https://support.automation.siemens.com/WW/CAXorder/default.aspx?lang=en&mlfb=8WD4408-0CD>



last modified:

4/1/2025 